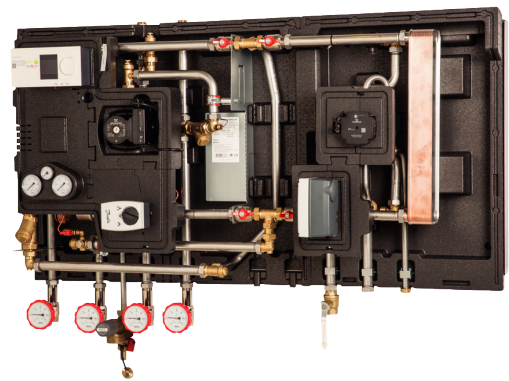
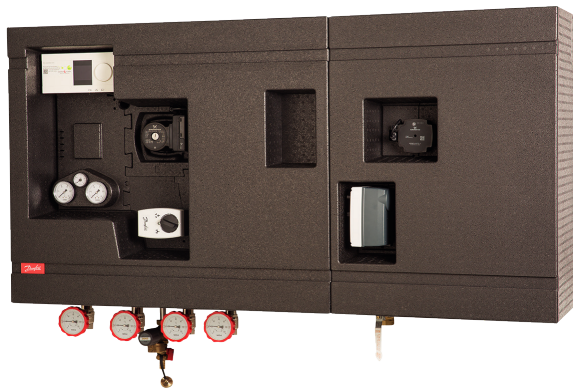


Fact sheet

# Termix Compact 28 VVX-FI

The ultimate solution for space heating and domestic hot water



## Space heating and domestic hot water (DHW)

The Termix Compact 28 VVX-FI is a complete unit for indirect space heating and domestic hot water for district heating in large buildings such as sports centres, schools, blocks of flats etc.

It can be used for connection to indirect district heating in places where the district heating plant requires a hydraulic break. It is also suitable for conversion to district heating when the secondary heating system is unsuitable to being connected to direct district heating or when a particularly effective security against leakage in the heating system is required.

## Efficient heat exchanger

The substation is fitted with an efficient plate heat exchanger, which ensures the most favourable heat extraction and achieves optimum comfort and operating economy.

**ЮГОВ - Проект**  
інженерно-виробниче підприємство

Офіційний дистриб'ютор  
Danfoss в Україні



ugov.ua

## Electronic regulation

The Termix Compact 28 VVX-FI is built with a plate heat exchanger for instantaneous domestic hot water production and heat exchanger for space heating. Each circuit is also supplied with its own flow controller<sup>1</sup>. This allows the greatest degree of individual control, thus preventing oscillation at different loads. The electronic controller is factory pre-set. Electrical components are pre-wired, and the unit is equipped with a plug for 230 V a.c. It is recommended that balancing valves are installed in the building's risers in the heat supply and on the heating system's return line immediately before the unit.

## Minimal heat loss

Complete insulation of the unit ensures minimal heat loss.

## Easy installation

The unit consists of two modules, one for space heating and one for domestic hot water production, which is easily assembled into one single module. This modular design makes work during installation significantly easier, as the weight is split between two modules during handling.

<sup>1</sup> AVQM = self-acting flow controller with integrated with integrated control valve

## Flexible solution

Pipe connection can be made from either the top or bottom, which makes this solution highly flexible. At the same time, both space and time are saved when installing.

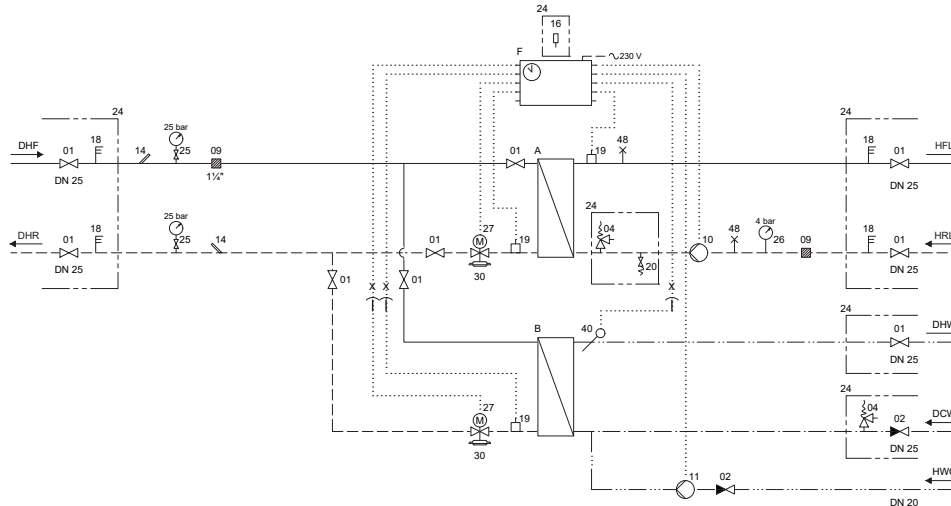
## Reliable and easy to install

Termix Compact 28 VVX-FI is operationally reliable. A quality product manufactured in Denmark which is easy to install and quickly commissioned.

## FEATURES AND BENEFITS

- Fully insulated
- Flexible connections
- Substations for apartment buildings
- Indirect heating
- Electronic control for heating and DHW
- Operates independently of differential pressure and flow temperature
- Pipes and plate heat exchanger made of stainless steel
- Capacity 50-115 kW HE / 85-145 kW DHW

CIRCUIT DIAGRAM - EXAMPLE

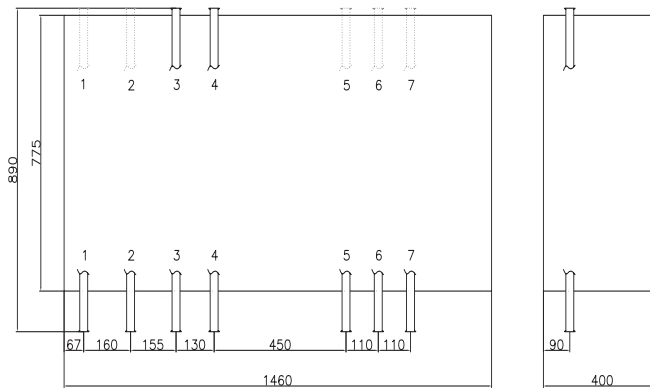


- 01 Isolation valve
- 02 Single check valve
- 04 Safety valve
- 09 Strainer
- 10 Circulator pump
- 11 HWC pump
- 14 Sensor pocket
- 16 Outdoor sensor
- 18 Thermometer
- 19 Surface sensor
- 20 Filling/drain valve
- 24 Delivered loose with unit
- 25 Pressure gauge with ball valve
- 26 Pressure gauge
- 27 Actuator
- 30 Flow controller w/intg. control valve
- 40 Immersion sensor
- 48 Air vent, manual
- A Heat exchanger, Heating
- B Heat exchanger HTG
- F Electronic controller
- X Plug connection

Technical parameters:

Exchanger: Stainless steel AISI 316  
 Test pressure exchanger: 25 bar  
 Working pressure: 16 bar  
 Valve type: Danfoss  
 Operating temperature: Max. 110°C  
 Soldering material: Copper  
 Weight: 95 kg

Dimensions (mm):



Connections:

1. Primary flow line 1" RG int.
2. Primary return line 1" RG int.
3. Heating flow line 1" RG int.
4. Heating return line 1" RG int.
5. Domestic hot water 1" RG int.
6. Domestic cold water 1" RG int.
7. DHW circulation 3/4" RG int

Options:

Fitting piece for energy meter

DHW: CAPACITY EXAMPLES					
Substation type: Termix Compact 28 VVX-FI	DHW Capacity [kW]	Supply flow primary [°C]	Return flow primary [°C]	Pressure loss primary [*kPa]	DHW temperature [°C]
WX 1-x	85	65	23,02	50	10/50
	90	70	24,83	50	10/55
	100	70	28,61	50	5/60
WX 2-x	100	65	21,93	50	10/50
	110	70	23,92	50	10/55
	120	70	27,16	50	5/60
WX 3-x	125	65	22,35	50	10/50
	130	70	22,35	50	10/55
	130	70	26,27	50	5/60
WX 4-x	140	65	20,91	50	10/50
	150	70	22,57	50	10/55
	145	70	24,2	50	5/60

HEATING: CAPACITY EXAMPLES						
Substation type: Termix Compact 28 VVX-FI	Heating Capacity [kW]	Heating circuit primary [°C]	Heating circuit secondary [°C]	Pressure loss primary [*kPa]	Flow rate primary [l/h]	Flow rate secondary [l/h]
VVX x-1	50	80/51	50/70	50	1531	2175
	60	100/61	60/80	50	1351	2620
	60	110/71	70/90	50	1357	2630
VVX x-2	85	90/41	40/70	50	1555	2456
	70	80/51	50/70	50	2131	3045
	70	100/61	60/80	50	1571	3056
VVX x-3	70	110/71	70/90	50	1578	3068
	105	90/41	40/70	50	1906	3034
	75	80/51	50/70	50	2257	3263
VVX x-4	75	100/61	60/80	50	1679	3275
	75	110/71	70/90	50	1688	3278
	115	90/41	40/70	50	2072	3323

\*Heat meter not included.

Gemina Termix A/S • Member of the Danfoss Group  
 danfoss.com • +45 9714 1444 • mail@termix.dk

Any information, including, but not limited to information on selection of product, its application or use, product design, weight, dimensions, capacity or any other technical data in product manuals, catalogues descriptions, advertisements, etc. and whether made available in writing, orally, electronically, online or via download, shall be considered informative, and is only binding if and to the extent, explicit reference is made in a quotation or order confirmation. Danfoss cannot accept any responsibility for possible errors in catalogues, brochures, videos and other material. Danfoss reserves the right to alter its products without notice. This also applies to products ordered but not delivered provided that such alterations can be made without changes to form, fit or function of the product.

All trademarks in this material are property of Danfoss A/S or Danfoss group companies. Danfoss and the Danfoss logo are trademarks of Danfoss A/S. All rights reserved.