

Data Sheet

# Gas detection unit **Basic**

Type **GD Basic** and **Basic+**  
Next generation gas detection for industrial refrigeration



The Basic and Basic+ gas detection units are used for monitoring and warning of hazardous gas concentrations. They can be used for detecting commonly used refrigerants. Depending on the application, they are available with an electrochemical or a semiconductor sensor.

The Basic and Basic+ gas detection units are intended to be connected to a central system like Gas Detection Controller Unit, or a PLC, by either Analog or RS485 open Modbus communications. The central system converts the alarm signal from the Basic unit to activation of alarm devices.

The gas detection units come with a factory default, 2-step alarm set-up ready for use. The integrated software enables the user to configure two individual alarm ranges. Alarm 1, a pre-alarm indicating the gas level has passed a predefined threshold 1, and - if the gas level passes predefined threshold 2 - the final alarm 2.

## ЮГОВ - Проект

інженерно-виробниче підприємство



 [ugov.ua](http://ugov.ua)

## Features

- Digital, factory configured and pre-calibrated gas detectors for plug-and-play installation (no adjustment required)
- Easy configuration via intuitive user-interface; helps simplify operator handling and minimize risk of operational, settings and calibration errors
- Flexible connection - by either Analog or RS485 open Modbus communications
- Fieldbus wiring - connect and power up to 96 sensors, wire length max. 900 meter per segment; expansion modules permits additional segments
- Automatic self-diagnostics to ensure correct communication and operation
- Sensor seal cap to prevent premature exposure during installation
- Digital user interface ensures higher sensor accuracy
- Reduced risk of false alarms due to temperature compensated sensors
- Password protected alarm settings allowing authorized access only
- LED status signals and alarms
- Buzzer & Light option for local audio and visual alarms (Basic+)
- On-board acknowledge button to reset alarms and to verify the that no gas leaks are present
- Service alerts on unit, controller or both, readable via service tool Display
- Quick and precise calibration procedures - either by Plug & Play replacement sensors or calibration with gas. No potentiometers or multi-meters required
- For improved safety and to optimize the lifetime of the sensor, degenerated sensors with too low sensitivity (<30%) are rejected during calibration process
- Conformity to EN 50271, EN 61010-1, ANSI/UL 61010 1, CAN/CSA-C22.2 No. 61010-1
- Enables regulatory compliance with EN 378:2016, ISO 5149:2014, IIR 2-2017, and ASHRAE 15:2016

## Functions

### **Working principle/Operation**

One sensor can be connected to the Basic/Basic+ sensor board via local bus. The Sensor board provides the power supply of the sensor and prepares the measured data for digital communication.

The operation menu of the Basic/Basic+ software is accessed through the connected Gas Detection Controller or via the dedicated GD Service tool (or PC tool). The Service tool (or PC tool) is plugged directly to the board of the unit. The interfaces allow the unit configuration, setting of the unit alarm levels and calibration of the attached sensor.

The service tool (or PC tool) can be used on all units across the Basic, Premium and Heavy Duty platforms.

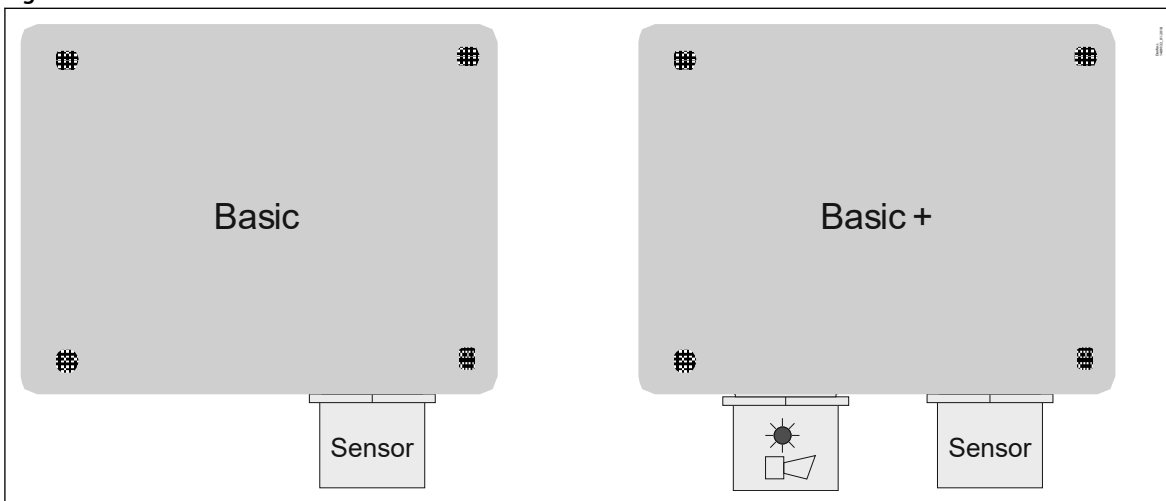
The alarm signals can be handled by the Gas Detection Controller (or a PLC) via the 4 – 20 mA (2 – 10V) analog output or the RS485 open Modbus communication. For additional operational safety the changing of parameters is password protected allowing authorized access only. The factory default password can easily be customized.

**Product specification**

**Design**

**General information**

Figure 1: GD Basic and Basic+



- Cable gland not mounted but enclosed
- 4 mounting ears included
- Sensor head mounted bottom right
- Alarm device (Buzzer & Light) mounted bottom left (only Basic +)

**Gas types and thresholds**

Table 1: Gas types and thresholds

Sensor	Sensor Type	ppm range	Alarm 1	Alarm 2	Hysteresis
Ammonia EC 100	Electrochemical	0 – 100 ppm	25 ppm	35 ppm	2 ppm
Ammonia EC 300	Electrochemical	0 – 300 ppm	25 ppm	150 ppm	2 ppm
Ammonia EC 1000	Electrochemical	0 – 1000 ppm	500 ppm	900 ppm	25 ppm
Ammonia SC 1000	Semiconductor	0 – 1000 ppm	500 ppm	900 ppm	25 ppm
HFC R1234yf SC 2000 (FR3)	Semiconductor	0 - 2000 ppm	500 ppm	900 ppm	25 ppm
HFC R134A SC 2000 (FR7)	Semiconductor	0 - 2000 ppm	500 ppm	900 ppm	25 ppm
HFC R404A, R507 SC2000	Semiconductor	0 – 2000 ppm	500 ppm	900 ppm	25 ppm
Ammonia SC 10000	Semiconductor	0 – 10000 ppm	5000 ppm	9000 ppm	250 ppm
Ammonia P LEL	Pellistor	0 – 100% LEL (0 – 140000)	21% LEL (30000 ppm)	21% LEL (30000 ppm)	1%
CO <sub>2</sub> IR 20000 (2% Vol.)	Infrared	(0 – 2% Vol) (0 – 20000 ppm)	0.5% Vol (5000 ppm)	0.9% Vol (9000 ppm)	0.025% vol (250 ppm)

**NOTE:**

Hysteresis = 5% of Alarm1 (rounded up to the next higher integer)

LEL/LFL = Lower explosive limit / Lower flammability limit

**Electrical**

Table 2: Electrical

Details	Description
Power supply	19 – 29 V AC/DC, DC reverse-polarity protected (selected units 100 – 240V AC)
Power consumption (24 V DC)	Max. 250 mA (6 VA)

## Outgoing line local bus

Table 3: Outgoing line local bus

Details	Description
Power supply	5 V DC, 250 mA max., overload, short-circuit and reverse-polarity protected

## Serial interface

Table 4: Serial interface

Details	Description
Local bus	1-wire / 19200 baud
Fieldbus	RS 485 / 19200 baud
Tool bus	2-wire / 19200 baud

## General

Table 5: General

Details	Description
Temperature range	-40 °C to +50 °C (-40 °F to 122 °F)
Humidity range	15 – 90 % RH not-condensing
Storage temperature	+5 °C to +30 °C (41 °F to 86 °F)
Storage time	12 months

## Physical

Table 6: Physical

Details	Description
Housing	Type A
Material	Polycarbonate
Burning behaviour	UL 94 V2
Housing colour	Black
Dimensions (W x H x D in mm)	94 x 130 x 57
Weight (kg)	Approx. 0.3kg (0.8 lbs.)
Protection class	IP65
Installation	Wall mounting
Cable entry	2 x M12 / 3 x M20
Wire connection:	
Power supply, fieldbus	Screw-type terminals 0.25 to 2.5 mm <sup>2</sup> (25 AWG to 14 AWG)
Analog output	Screw-type terminals 0.25 to 1.3 mm <sup>2</sup> (25 AWG to 17 AWG)
Local bus for sensor	3-pin plug connector
Cable lengths local bus for remote sensor board	Max. 5 m (16.4 ft.)

## Analog output signal

Table 7: Analog output signal

Description
Proportional, overload and short-circuit proof, load ≤ 500 Ohm
4 – 20 mA = measuring range
3.0 < 4 mA = underrange
> 20 – 21.2 mA = overrange
2.0 mA = fault (configurable)

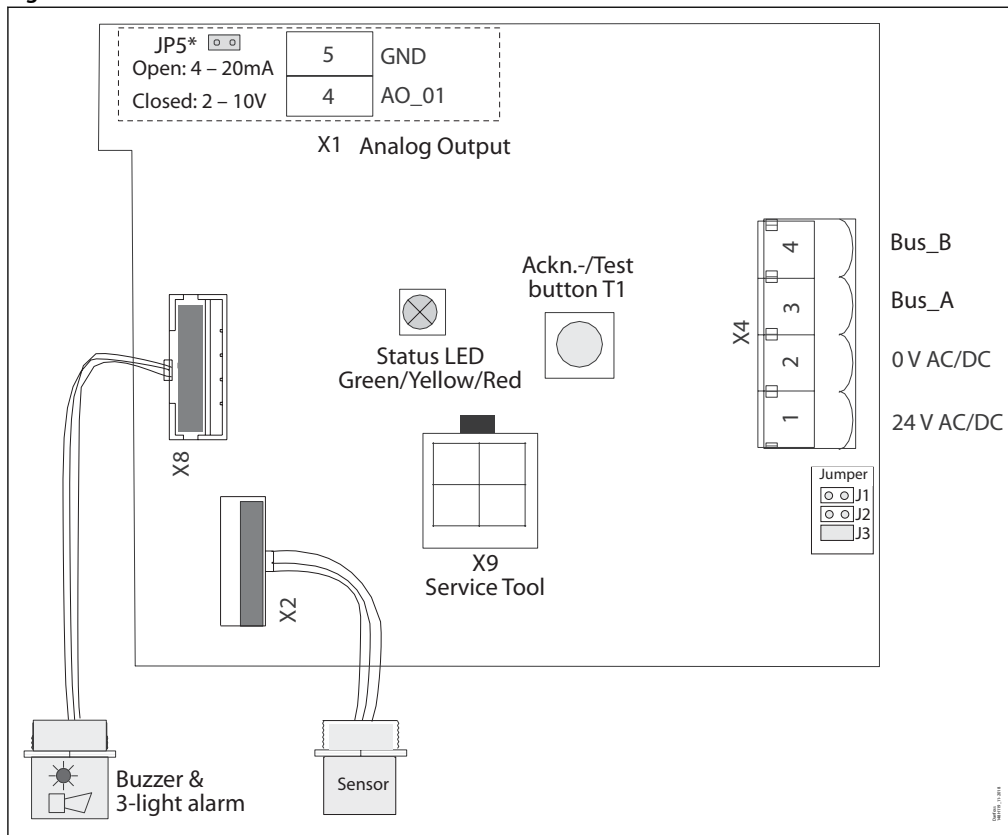
## Status LED / Buzzer & light (only Basic+)

Table 8: Status LED / Buzzer &amp; light (only Basic+)

Details	Description
Colour	3 color light: Green, yellow, red
Acoustic pressure	> 85 dB (A) (0.1 m distance)
Frequency	2300 Hz
Protection class	IP65

## Electrical connection

Figure 2: Electrical connection



### Status LED:

- GREEN is power on
  - flashing if maintenance needed
- YELLOW is an indicator of Error
  - when the sensor head is disconnected or not the expected type
  - AO is activated but nothing connected
  - flashing when sensor is in special mode (e.g. when changing parameters)
- RED on alarm, similar to the buzzer & light alarm

### Ackn. -/Test button:

- TEST:
  - The button must be pressed for 20 sec
  - Alarm1 and Alarm2 is simulated, stop on release
- ACKN:
  - Pressed while Alarm2, the audible warning switches off and goes back on after 5 min. when the alarm situation is still active

\* JP5 open → AO 4 – 20 mA (Default)

\* JP5 closed → AO 2 – 10 Volt

### NOTE:

A resistor comes installed on the analog output connections – if analog output is used, remove the resistor.

## Fieldbus loop

Each GD controller can handle up to 96 sensors and handle any mix of individual Gas detection units of the types Basic, Premium and Heavy Duty.

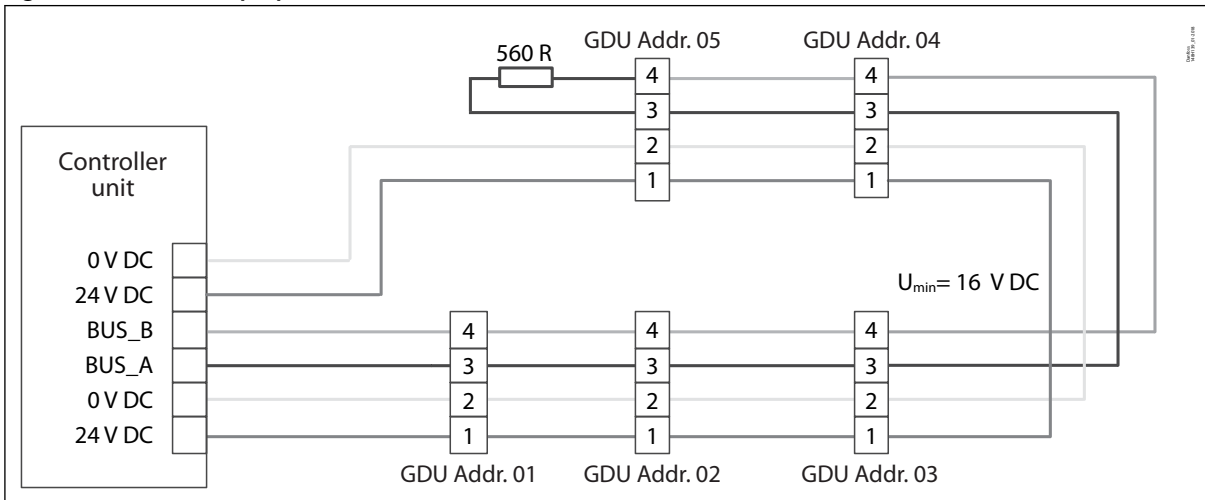
The max. recommended loop wire length is 900 meter (2953 ft) per segment.

## Gas detection unit, Basic

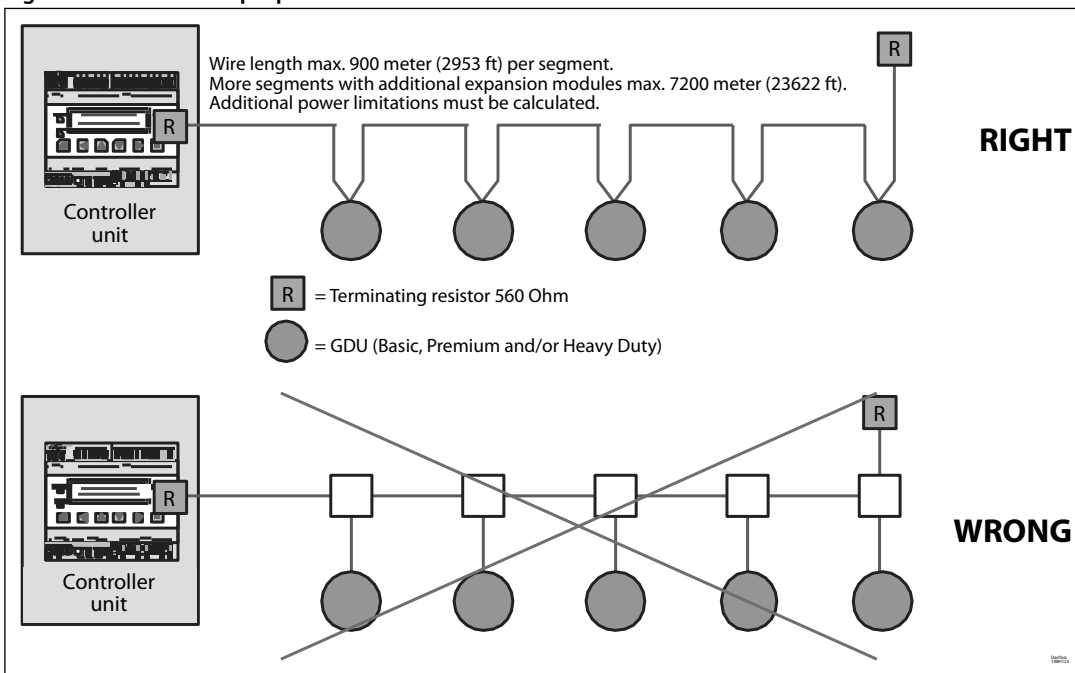
With additional segments (and additional controller expansion modules) the max recommended loop wire length is 7200 meter (23622 ft).

The controller and the last GDU in each segment must be provided with a resistor of 560 Ohm. A  $U_{min}$  of 16 V DC must be secured at any spot in the loop.

**Figure 3: How to make proper connections between the controller and each GDU**



**Figure 4: How to make proper connections between the controller and each GDU**





## **Service and maintenance**

The Basic/Basic+ gas detection units are calibrated either by replacing of sensor heads or by calibration with gas.

Plug & Play replacement sensors are pre-calibrated and factory certified for quick and easy calibration procedure. The sensor is connected to the local bus via a plug connection enabling easy and simple exchange of sensor instead of an on-site calibration. The internal X-change routine recognizes the exchanged sensor during the exchange process and restarts the measurement mode automatically. An LED indicates the correct procedure of the exchange operation. To ensure the proper functioning of the units and to prevent human errors, the sensor head can only be replaced by the same type and ppm range (exact replacement) that match the configuration. If a different sensor head is installed, the GD unit will show a communication error.

As an alternative, calibration with gas can be performed via the service tool (or PC tool), calibration gas with correct concentration and the Danfoss calibration adapter. The Danfoss gas detection units have an integrated, digital calibration interface and procedure, which makes the calibration process easy, accurate, and time-saving. No potentiometers or multi-meters required for the calibration. The calibration procedure requires significantly less calibration gas per calibration compared to traditional routines.

## Ordering

**Table 9: Ordering**

Type	Model	Refrigerant	Sensor	ppm range	Alarm ppm	Temp. Range [°C]	Temp. Range [°F]	Code number
<b>GDA</b>	Basic	Ammonia	Electrochemical	0 – 100	25/35	-40 to +50	-40 to +122	<b>148H6000</b>
	Basic <sup>(1)</sup>	Ammonia	Electrochemical	0 – 100	25/35	-40 to +50	-40 to +122	<b>148H6001</b>
	Basic	Ammonia	Electrochemical	0 – 300	25/150	-40 to +50	-40 to +122	<b>148H6008</b>
	Basic <sup>(1)</sup>	Ammonia	Electrochemical	0 – 300	25/150	-40 to +50	-40 to +122	<b>148H6009</b>
	Basic	Ammonia	Electrochemical	0 – 1000	500/900	-40 to +50	-40 to +122	<b>148H6014</b>
	Basic <sup>(1)</sup>	Ammonia	Electrochemical	0 – 1000	500/900	-40 to +50	-40 to +122	<b>148H6015</b>
	Basic	Ammonia	Semiconductor	0 – 1000	500/900	-40 to +50	-40 to +122	<b>148H6023</b>
	Basic <sup>(1)</sup>	Ammonia	Semiconductor	0 – 1000	500/900	-40 to +50	-40 to +122	<b>148H6024</b>
	Basic	Ammonia	Semiconductor	0 – 10000	5000/9000	-40 to +50	-40 to +122	<b>148H6071</b>
	Basic Remote	Ammonia	Semiconductor	0 – 10000	5000/9000	-40 to +50	-40 to +122	<b>148H6073</b>
Basic	Ammonia	Pellistor	0 – 140000	30000	-40 to +50	-40 to +122	<b>148H6070</b>	
<b>GDHF</b>	Basic + AC ( 100 – 240V AC)	R404a, R507a, R32, R125, R407c, R434a, R488a, R410a, R452b, R143b	Semiconductor	0 – 2000	500/900	-30 to +50	-22 to +122	<b>148H6056</b>
	Basic + AC ( 100 – 240V AC)	R134a, R407a, R416a, R417a, R422a, R422d, R427a, R437a, R438a, R449a, R407f, R450a	Semiconductor	0 – 2000	500/900	-30 to +50	-22 to +122	<b>148H6057</b>
	Basic + AC ( 100 – 240V AC)	R1234yf, R452a, R513a, R454c, R455a, R454b, R1234ze	Semiconductor	0 – 2000	500/900	-30 to +50	-22 to +122	<b>148H6058</b>
<b>GDHF</b>	Basic	R404a, R507a, R32, R125, R407c, R434a, R488a, R410a	Semiconductor	0 – 2000	500/900	-40 to +50	-40 to 122	<b>148H6045</b>
	Basic <sup>(1)</sup>	R404a, R507a, R32, R125, R407c, R434a, R488a, R410a	Semiconductor	0 – 2000	500/900	-40 to +50	-40 to 122	<b>148H6046</b>
<b>GDC</b>	Basic	CO <sub>2</sub>	Infrared	0 – 20000	5000/9000	-40 to +50	-40 to 122	<b>148H6072</b>

<sup>(1)</sup> incl buzzer & Light

## Spare parts and accessories

**Table 10: Spare parts and accessories**

Description	Code number
Replacement sensor - Ammonia EC 100	<b>148H6200</b>
Replacement sensor - Ammonia EC 300	<b>148H6201</b>
Replacement sensor - Ammonia EC 1000	<b>148H6202</b>
Replacement sensor - Ammonia SC 1000	<b>148H6203</b>
Replacement sensor - HFC R404A, R507 SC 2000	<b>148H6210</b>
Replacement sensor - HFC R1234yf SC 2000	<b>148H6239</b>
Replacement sensor - HFC R134a SC 2000	<b>148H6211</b>
Controller unit	<b>148H6231</b>
Controller solution (controller + enclosure)	<b>148H6221</b>
Controller expansion module	<b>148H6222</b>
Service tool	<b>148H6224</b>
PC tool	<b>148H6235</b>
Calibration adapter	<b>148H6232</b>
Buzzer & light - acoustic buzzer and optic led	<b>148H6225</b>
Air duct set	<b>148H6236</b>
Seal cap	<b>148H6227</b>

Description	Code number
Splash guard	148H6226
Gateway for controller	148H6228
Remote kit	148H6238

## **Accessories overview**

### **Controller unit**

Used for a centralized monitoring and warning. The input signals for the controller are collected via RS485 Modbus or analog communication. The controller can handle up to 96 digital sensors via Fieldbus and four (4) analog input. An additional 28 analog input is possible using seven (7) expansion modules (4 – 20 mA signal interface). The total number of connected sensors should not exceed 128 sensors. The controller unit can be employed as pure analog controller, as analog/digital, or as digital controller. Configuration is menu-driven via the keypad. For fast and easy configuration, the PC Tool is recommended.

### **Controller solution**

Controller unit placed in an enclosure ready to be connected to a power source. A separate UPS for the controller is available.

### **Controller expansion module**

The gas detection Controller Expansion module is used for expansion of the cable coverage in terms of number of loops and the total wire length. Each Controller Unit can handle up to 7 Expansion modules allowing additional 7 segments with a total of 7200 meters (23622 ft.) wiring and a total of 32 relays for alarm device circuits.

### **Service tool**

For interface with units with no display (Basic, Basic+, Premium, Premium+). Acts as a portable display and can be connected to all Danfoss gas detection units. (Heavy Duty w. adapter).

### **PC tool**

The PC tool is a menu-driven and standalone software used for easy addressing, parameter setting, calibration, and data logging of the Basic, Premium and Heavy Duty gas detection units, and the controller unit.

### **Calibration adapter**

The calibration adapter is required for connecting the calibration gas container, via the flow regulator, to the sensor head on the gas detection units. (Two variants, One for Basic and Premium plastic head sensors; one for heavy duty and Premium remote metal head sensors.).

### **Buzzer & light - acoustic buzzer and optic led**

Can be installed in Basic or Premium units providing a local alarm.

### **Air duct set**

The air duct set is specially designed to capture the airflow in air ducts. It can be connected to the standard sensor heads, except from Heavy Duty gas detection units.

### **Seal cap**

Airtight seal cap to protect the sensor head against premature exposure during installation. The seal cap is mounted on new sensors (complete units and replacement sensors) but is also available as an accessory.

### **Splash guard**

To protect the sensor head against water exposure during wash-down cleaning and rinsing operations.

### **Gateway for controller**

The gateway is an addition to the controller and used for communicating via Modbus TCP/IP.

### **Remote kit**

Enabling installation of a sensor head in plastic housing 5m (16.4 ft.) from the unit. This means that the gas detection unit can be placed outside the room where the sensor is placed to detect hazardous gases, allowing reading of and interfacing with the unit without entering the dedicated space. Basic and Premium gas detection units.

**Certificates, declarations, and approvals**


The list contains all certificates, declarations, and approvals for this product type. Individual code number may have some or all of these approvals, and certain local approvals may not appear on the list.

Some approvals may change over time. You can check the most current status at danfoss.com or contact your local Danfoss representative if you have any questions.

**Table 11: Valid Approvals**

Type	File name	Document type	Document topic	Approval authority
GDA	148R6115.AA	EU Declaration	EMCD/LVD	Danfoss

**Table 12: Compliance**

	EMC directives 2014/30/EU
	Conformity to EN 50271, EN 61010-1
	ETL listed to UL 61010-1 and CSA C22.2 No.61010-1
	Enables regulatory compliance with EN 378:2016, ISO 5149:2014, IAR 2-2017, and ASHRAE 15:2016

## Online support

Danfoss offers a wide range of support along with our products, including digital product information, software, mobile apps, and expert guidance. See the possibilities below.

### The Danfoss Product Store



The Danfoss Product Store is your one-stop shop for everything product related—no matter where you are in the world or what area of the cooling industry you work in. Get quick access to essential information like product specs, code numbers, technical documentation, certifications, accessories, and more.

Start browsing at [store.danfoss.com](https://store.danfoss.com).

### Find technical documentation



Find the technical documentation you need to get your project up and running. Get direct access to our official collection of data sheets, certificates and declarations, manuals and guides, 3D models and drawings, case stories, brochures, and much more.

Start searching now at [www.danfoss.com/en/service-and-support/documentation](https://www.danfoss.com/en/service-and-support/documentation).

### Danfoss Learning



Danfoss Learning is a free online learning platform. It features courses and materials specifically designed to help engineers, installers, service technicians, and wholesalers better understand the products, applications, industry topics, and trends that will help you do your job better.

Create your Danfoss Learning account for free at [www.danfoss.com/en/service-and-support/learning](https://www.danfoss.com/en/service-and-support/learning).

### Get local information and support



Local Danfoss websites are the main sources for help and information about our company and products. Find product availability, get the latest regional news, or connect with a nearby expert—all in your own language.

Find your local Danfoss website here: [www.danfoss.com/en/choose-region](https://www.danfoss.com/en/choose-region).

### Spare Parts



Get access to the Danfoss spare parts and service kit catalog right from your smartphone. The app contains a wide range of components for air conditioning and refrigeration applications, such as valves, strainers, pressure switches, and sensors.

Download the Spare Parts app for free at [www.danfoss.com/en/service-and-support/downloads](https://www.danfoss.com/en/service-and-support/downloads).

Any information, including, but not limited to information on selection of product, its application or use, product design, weight, dimensions, capacity or any other technical data in product manuals, catalogues descriptions, advertisements, etc. and whether made available in writing, orally, electronically, online or via download, shall be considered informative, and is only binding if and to the extent, explicit reference is made in a quotation or order confirmation. Danfoss cannot accept any responsibility for possible errors in catalogues, brochures, videos and other material. Danfoss reserves the right to alter its products without notice. This also applies to products ordered but not delivered provided that such alterations can be made without changes to form, fit or function of the product. All trademarks in this material are property of Danfoss A/S or Danfoss group companies. Danfoss and the Danfoss logo are trademarks of Danfoss A/S. All rights reserved.