



Data Sheet

RA-U Low flow valve with presetting

Application



013G3022

013G3292

RA-U valves can be used with all types of thermostatic elements in the Danfoss series and with thermal actuators type TWA.

The valve are supplied with a protective cap which can be used for manual regulation during the construction phase.





RA-U valves are used in two-pipe heating systems and is available with the following setting ranges for max. water flow:
kv = 0.016 - 0.30 m³/h.

To be able to distinguish between other valves of the series the protective cap is yellow.

Ordering

Type	Design	Connection		Code Number
		Inlet	Outlet	
RA-U 10	Straight	R _p 3/8	R 3/8	013G3022
RA-U 10 (tail piece)	Straight	R _p 3/8	R 3/8	013G3292

Accessories

Type		Code Number
	Presetting key for RA-U valves	013G3028
	Δp tool for pump optimization	013G7861
	PFM100 measuring instrument	003L8260
	Gland-seal	013G0290

Quality

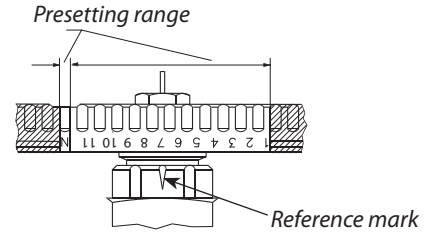
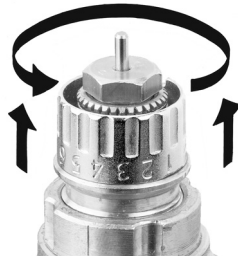


RA-U valves are certified according to the European standard EN 215. Danfoss radiator thermostats are manufactured in factories, assessed and certified by DNV GL against ISO 9001 and ISO 14001.

Datasheet

RA-U Low flow valve with presetting

Presetting



The presetting values of the integrated valves can be adjusted easily and accurately a special presetting tool 013G3028 must be used. (Factory setting: 'N'):

1. Remove the protective cap or the thermostatic sensor.
2. Use thin end of the presetting tool (013G3028) and loosen the special nut inside the presetting ring.
3. Use thick end of tool on top of preset ring to adjust to correct presetting value (seen on tool). Adjust scale to ref mark indication on valve.
4. Re-tighten special nut with thin end of tool.

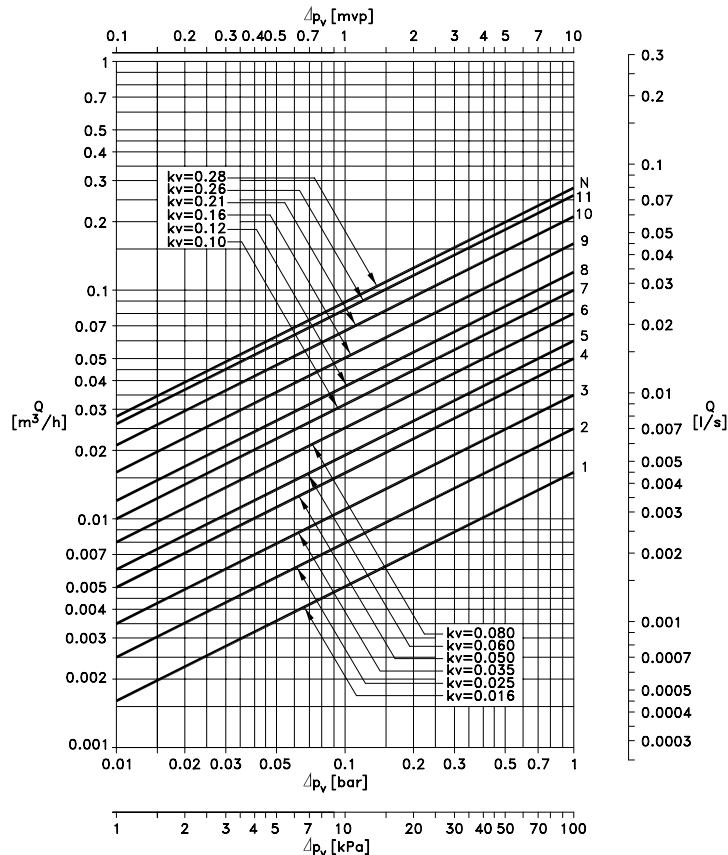
Presetting can be selected infinitely variably within the range of 1 to 11. At setting 'N' the valve is fully open. Setting in the shaded areas of the drawing should be avoided.

When the radiator thermostat has been installed, the presetting is protected against unintended regulation. In addition the special nut inside the presetting ring protects.

Type	Kv Value												Kvs	Code Number
	1	2	3	4	5	6	7	8	9	10	11	N		
RA-U 10	0.016	0.025	0.035	0.05	0.06	0.08	0.10	0.12	0.16	0.21	0.26	0.28	0.30	013G3022
	0.016	0.025	0.035	0.05	0.06	0.08	0.10	0.12	0.16	0.21	0.26	0.28	0.30	013G3292

The Kv values indicate the flow rate (Q) in m³/h at a given lift height and a pressure drop (Δp) across the valve of 1 bar (100 kPa). At setting N, the kv value according to EN 215-1 is specified at $X_p = 2^\circ\text{C}$ (P-band). At lower setting values, X_p decreases down to 0.5°C at setting 1. At settings between 1 and N, X_p is thus between 0.5°C and 2°C . $X_p = 2^\circ\text{C}$ means that the valve is closed at a temperature 2°C above the set value. The Kvs value indicates the flow at full lifting height, i.e. fully open valve.

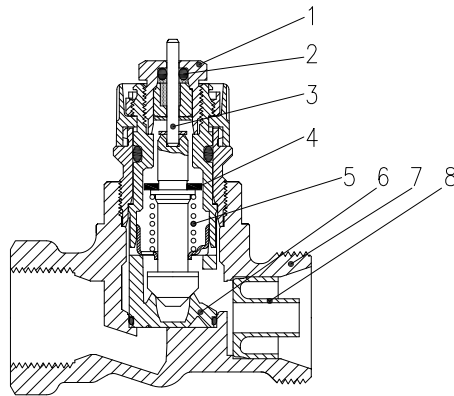
Capacities



Datasheet

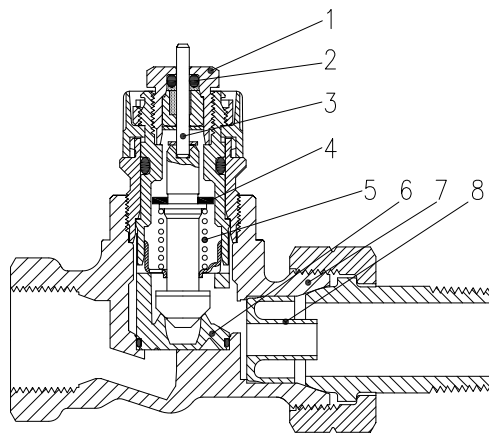
RA-U Low flow valve with presetting

Construction



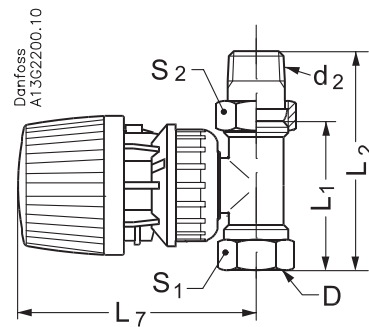
013G3022

- 1. Gland-seal
- 2. O-ring
- 3. Pressure pin
- 4. Seal
- 5. Regulation spring
- 6. Setting dial
- 7. Valve body
- 8. Kv-nozzle



013G3292

Dimensions



Code	Type	Connection			L ₁	L ₂	L ₇	Arc.flats.	
		DN	D	d ₂				S1	S2
013G3022	RA-U 10	10	R _p 3/8	-	50	-	96	23	-
013G3292	RA-U 10	10	R _p 3/8	R 3/8	50	75	96	23	27

Straight valve body with thermostatic sensor RA2990.

Danfoss A/S

Climate Solutions • danfoss.com • +45 7488 2222

Any information, including, but not limited to information on selection of product, its application or use, product design, weight, dimensions, capacity or any other technical data in product manuals, catalogues descriptions, advertisements, etc. and whether made available in writing, orally, electronically, on line or via download, shall be considered informative, and is only binding if and to the extent, explicit reference is made in a quotation or order confirmation. Danfoss cannot accept any responsibility for possible errors in catalogues, brochures, videos and other material. Danfoss reserves the right to alter its products without notice. This also applies to products ordered but not delivered provided that such alterations can be made without changes to form, fit or function of the product. All trademarks in this material are property of Danfoss A/S or Danfoss group companies. Danfoss and the Danfoss logo are trademarks of Danfoss A/S. All rights reserved.