



Operating Guide

AB-QM 4.0 Flexo

# AB-QM 4.0 Flexo, DN 15-20 (80 mm)



MAINTENANCE  
FREE



-10 ... 95°C

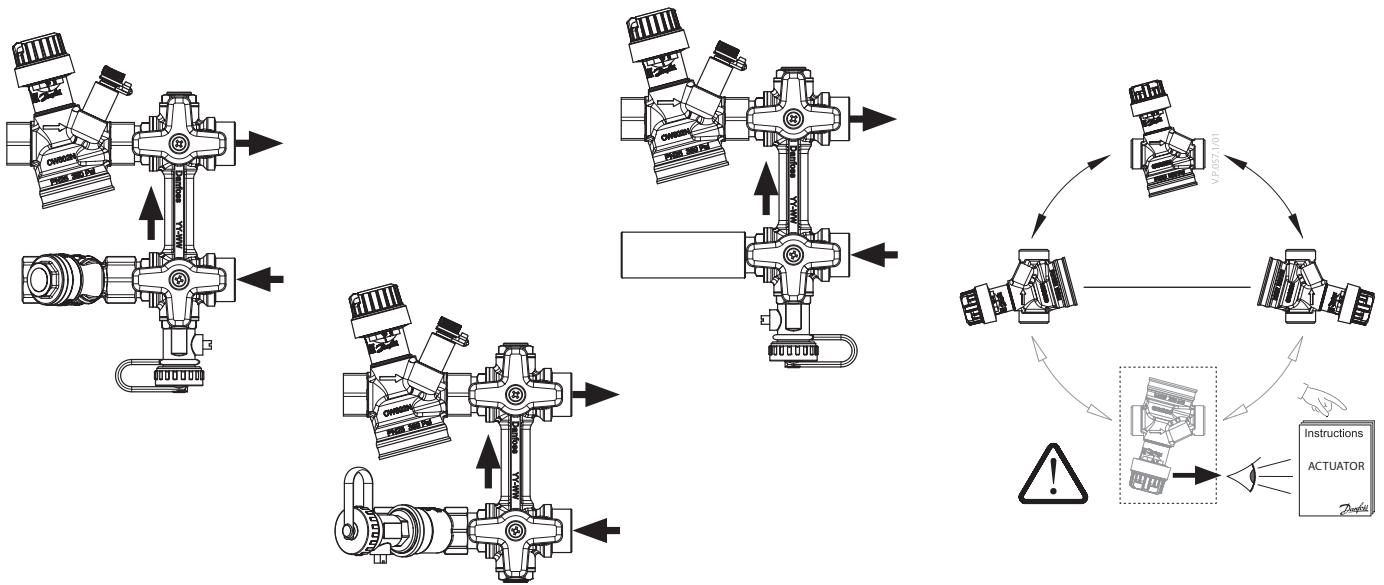


PN 25

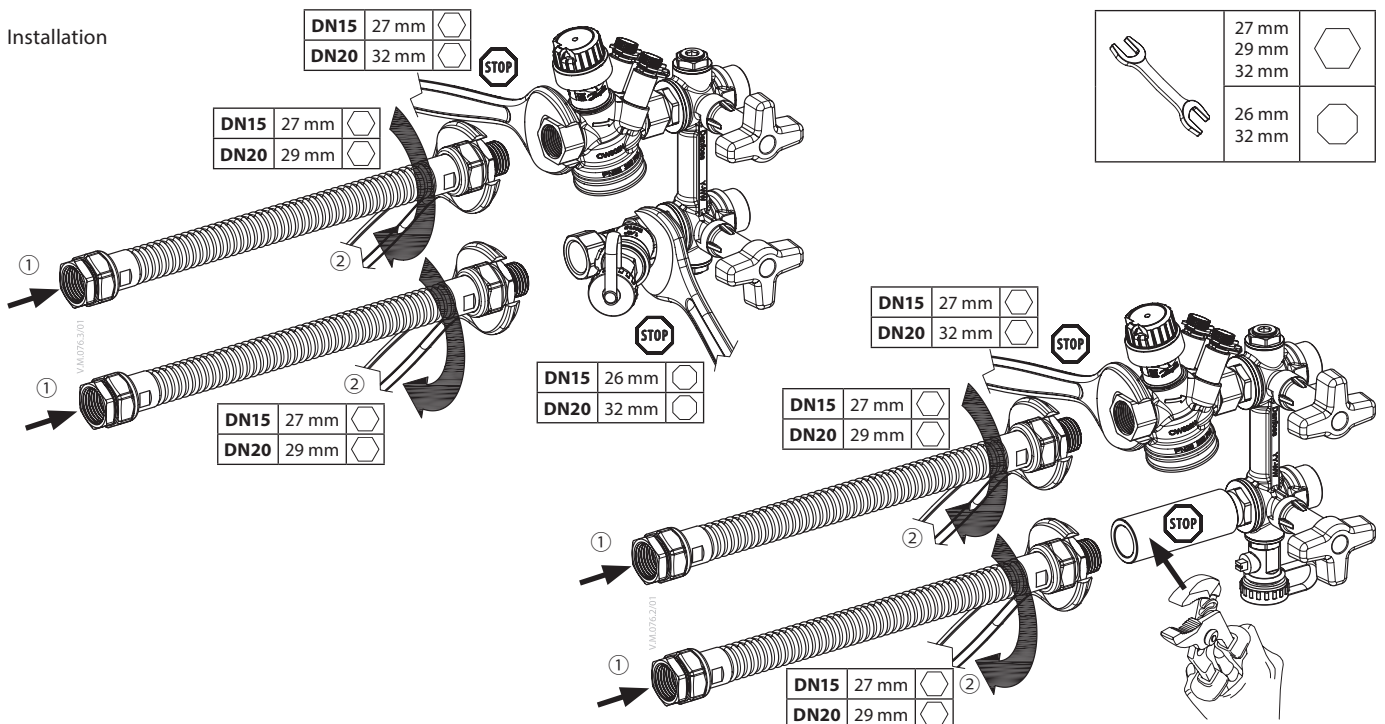


$\Delta p_{max.} = 600\text{kPa}$   
(6 bar)

Installation

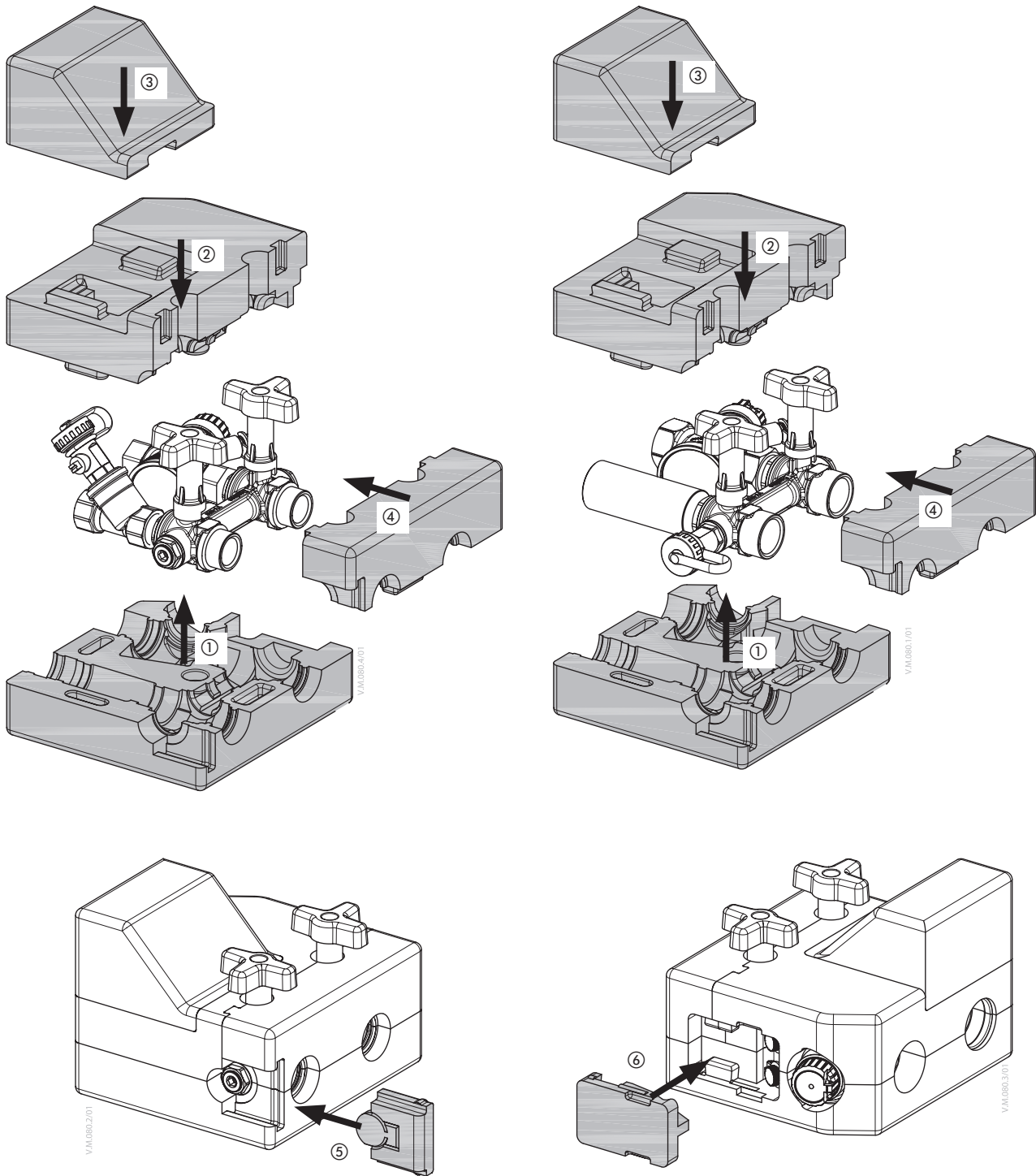


Installation



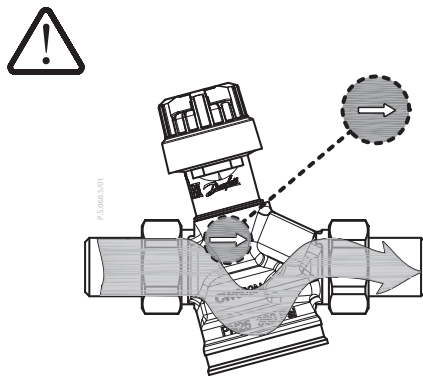
AB-QM 4.0 Flexo, DN 15-20

Insulation



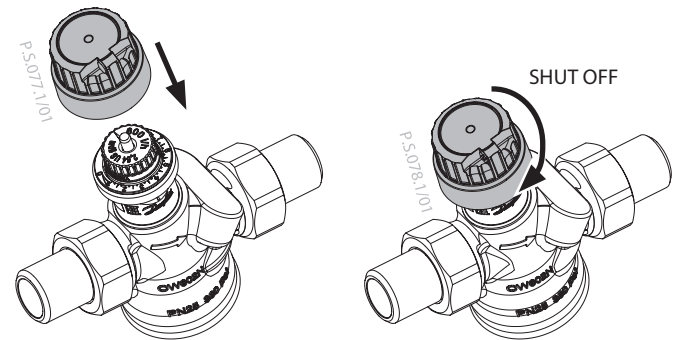
AB-QM 4.0 Flexo, DN 15-20

Setting



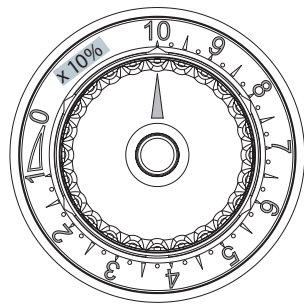
Shut-off

$\Delta p_{max} = 10 \text{ bar}$

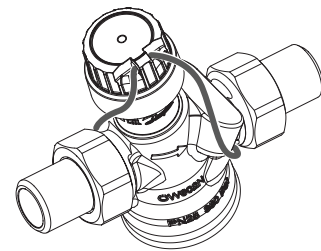


Setting

= 10 (100%)

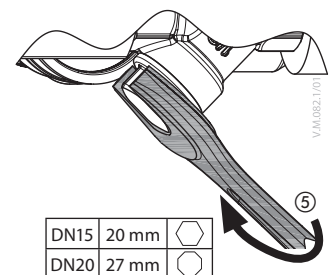
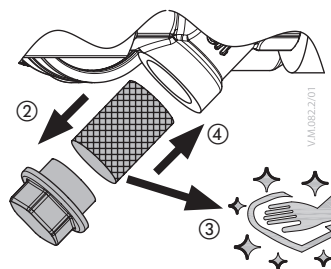
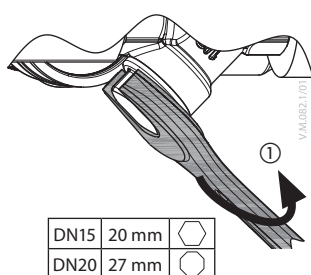
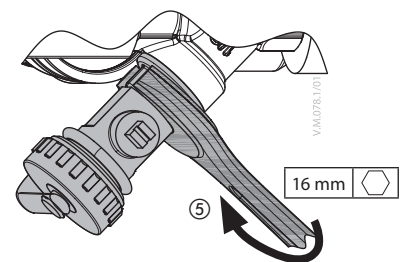
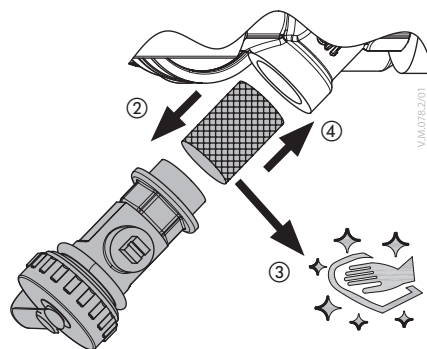
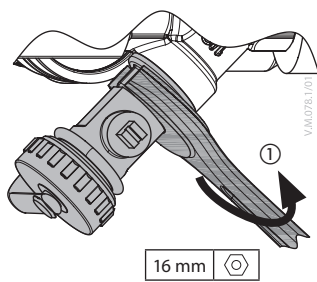


Locking



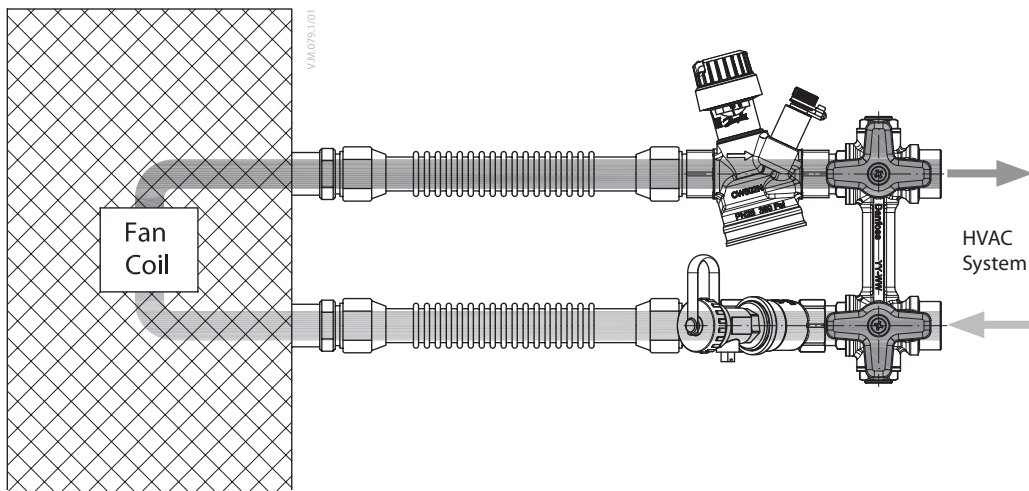
Filter cleaning

	16, 20 mm	
	27 mm	

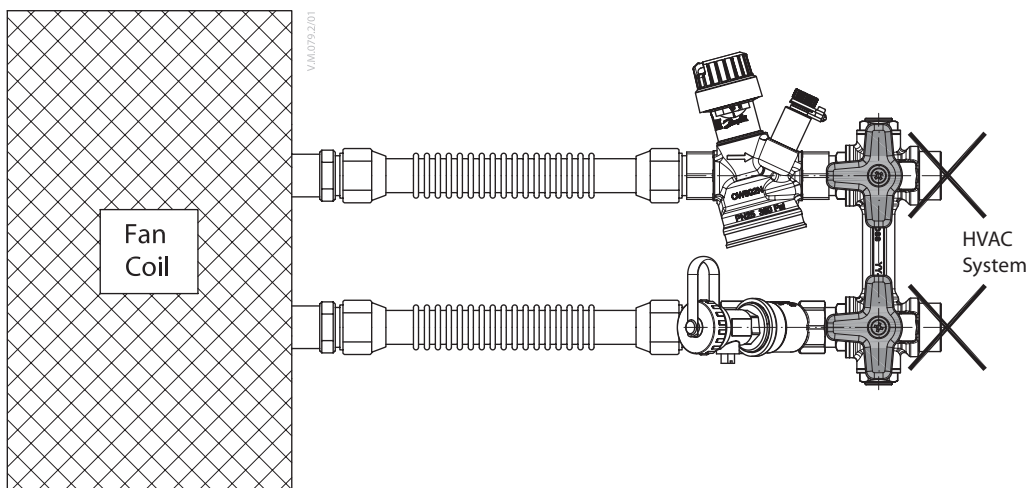


# AB-QM 4.0 Flexo, DN 15-20

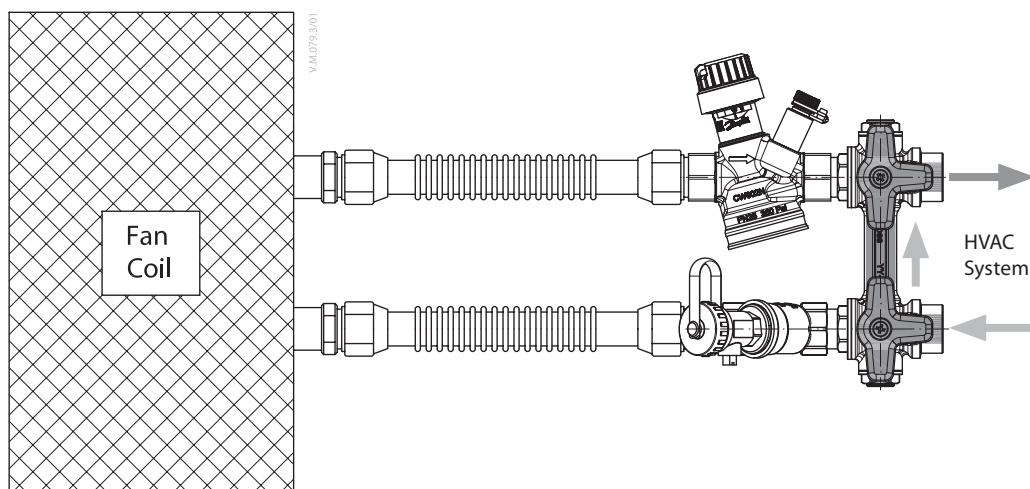
## Operation



## Shut-off/Maintenance

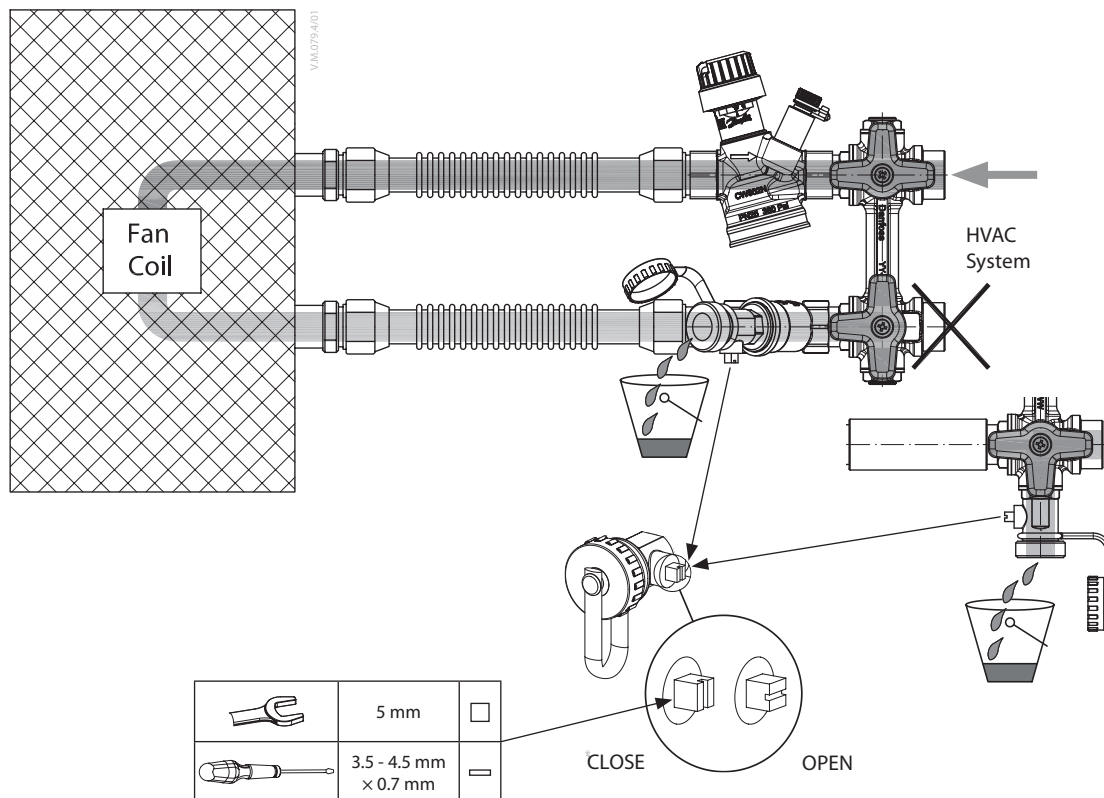


## Flushing of main pipe

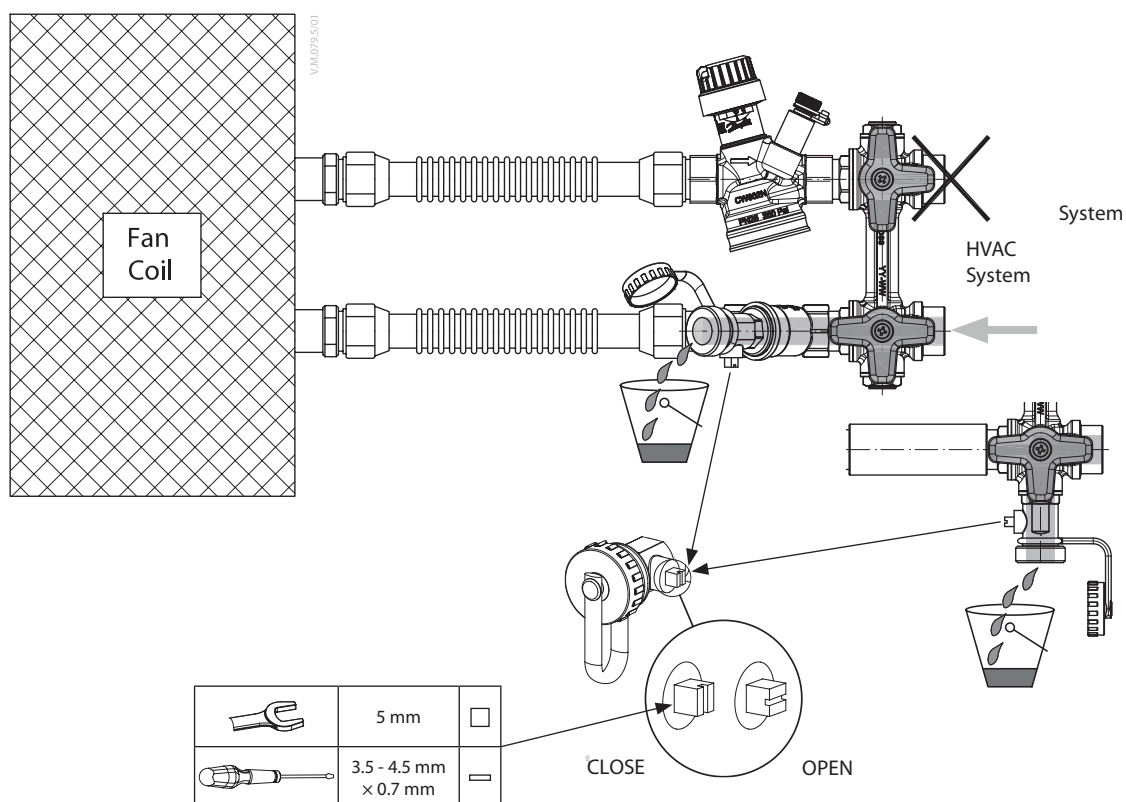


AB-QM 4.0 Flexo, DN 15-20

Backward flushing



Forward flushing

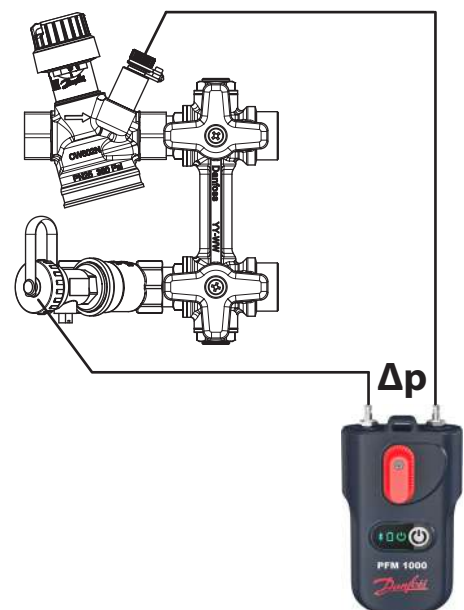
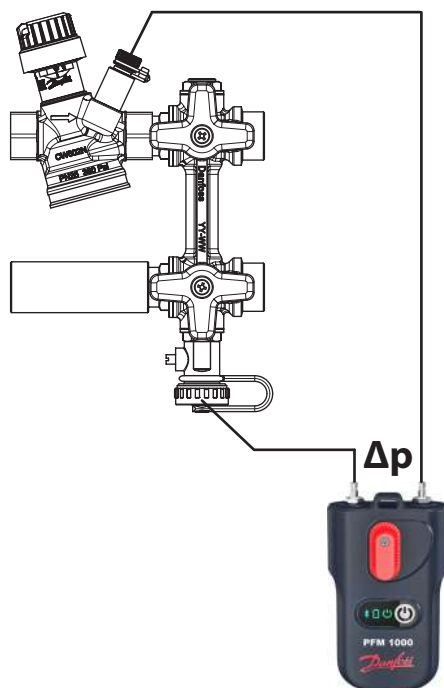
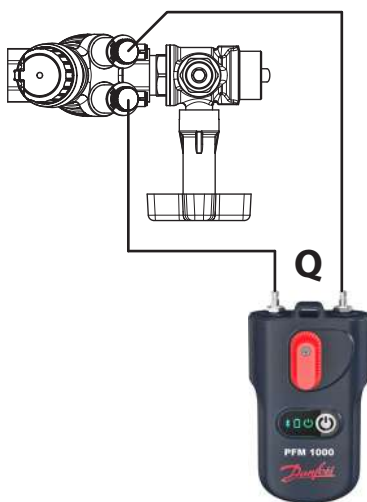
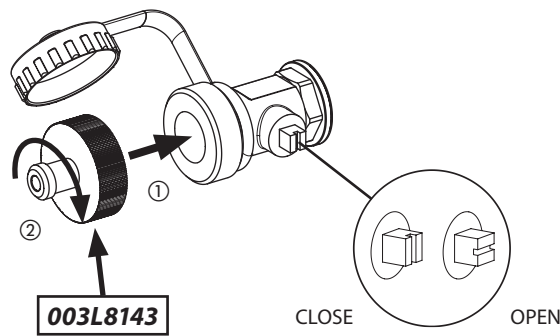


# AB-QM 4.0 Flexo, DN 15-20

## Sizing

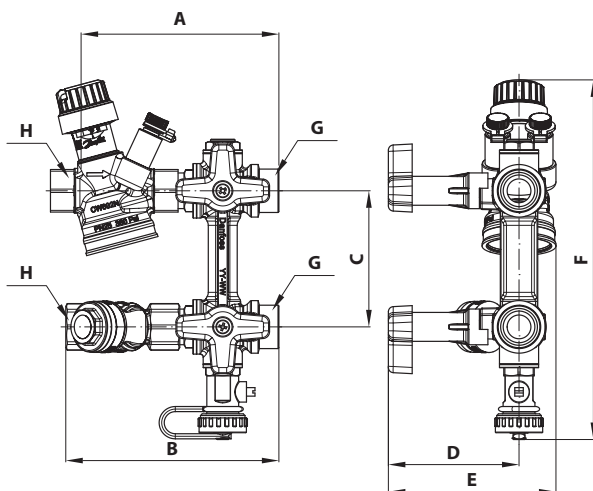
Setting	DN15 LF			DN 15			DN 15 HF			DN 20			DN 20 HF		
	L/h	L/s	GPM	L/h	L/s	GPM	L/h	L/s	GPM	L/h	L/s	GPM	L/h	L/s	GPM
10%	20	0.006	0.09	65	0.018	0.29	120	0.033	0.53	110	0.03	0.48	190	0.053	0.84
15%	30	0.008	0.13	98	0.027	0.43	180	0.050	0.79	165	0.05	0.73	285	0.079	1.25
20%	40	0.011	0.18	130	0.036	0.57	240	0.067	1.06	220	0.06	0.97	380	0.106	1.67
25%	50	0.014	0.22	163	0.045	0.72	300	0.083	1.32	275	0.08	1.21	475	0.132	2.09
30%	60	0.017	0.26	195	0.054	0.86	360	0.100	1.59	330	0.09	1.45	570	0.158	2.51
35%	70	0.019	0.31	228	0.063	1.00	420	0.117	1.85	385	0.11	1.70	665	0.185	2.93
40%	80	0.022	0.35	260	0.072	1.14	480	0.133	2.11	440	0.12	1.94	760	0.211	3.35
45%	90	0.025	0.40	293	0.081	1.29	540	0.150	2.38	495	0.14	2.18	855	0.238	3.76
50%	100	0.028	0.44	325	0.090	1.43	600	0.167	2.64	550	0.15	2.42	950	0.264	4.18
55%	110	0.031	0.48	358	0.099	1.57	660	0.183	2.91	605	0.17	2.66	1045	0.290	4.60
60%	120	0.033	0.53	390	0.108	1.72	720	0.200	3.17	660	0.18	2.91	1140	0.317	5.02
65%	130	0.036	0.57	423	0.117	1.86	780	0.217	3.43	715	0.20	3.15	1235	0.343	5.44
70%	140	0.039	0.62	455	0.126	2.00	840	0.233	3.70	770	0.21	3.39	1330	0.370	5.86
75%	150	0.042	0.66	488	0.135	2.15	900	0.250	3.96	825	0.23	3.63	1425	0.396	6.27
80%	160	0.044	0.70	520	0.144	2.29	960	0.267	4.23	880	0.24	3.87	1520	0.422	6.69
85%	170	0.047	0.75	553	0.154	2.43	1020	0.283	4.49	935	0.26	4.12	1615	0.449	7.11
90%	180	0.050	0.79	585	0.163	2.58	1080	0.300	4.76	990	0.28	4.36	1710	0.475	7.53
95%	190	0.053	0.84	618	0.172	2.72	1140	0.317	5.02	1045	0.29	4.60	1805	0.502	7.95
100%	200	0.056	0.88	650	0.181	2.86	1200	0.333	5.28	1100	0.31	4.84	1900	0.528	8.37

## Measurements

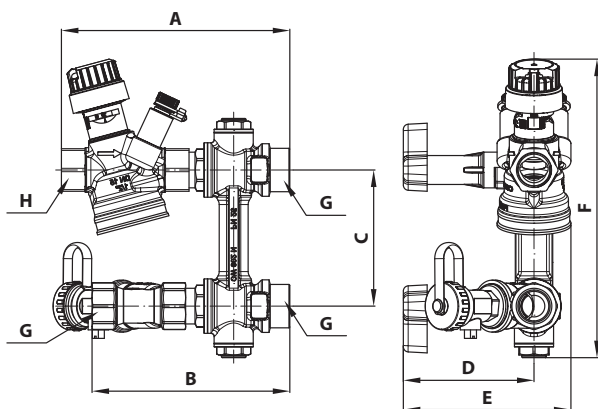


# AB-QM 4.0 Flexo, DN 15-20

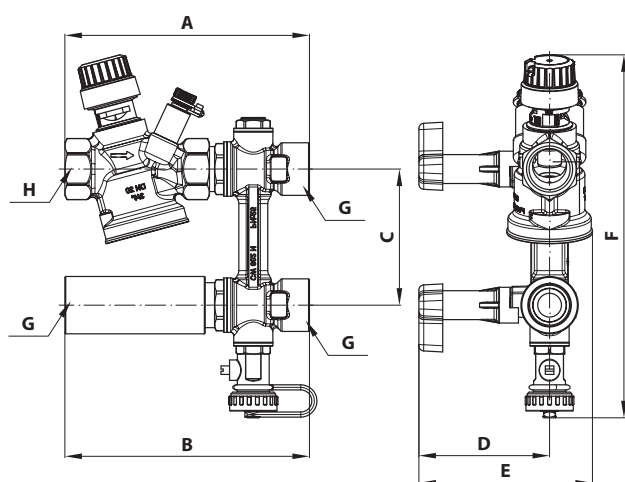
## Dimensions



	DN15LF	DN15	DN15HF	DN20	DN20HF
<b>A</b>		134.5		144	
<b>B</b>		125		138	
<b>C</b>		80		80	
<b>D</b>		77		77	
<b>E</b>		98.5		102	
<b>F</b>		211		213	
<b>G</b>		Internal G $\frac{1}{2}$ "		Internal G $\frac{3}{4}$ "	
<b>H</b>		Internal Rp $\frac{1}{2}$ "		Internal Rp $\frac{3}{4}$ "	



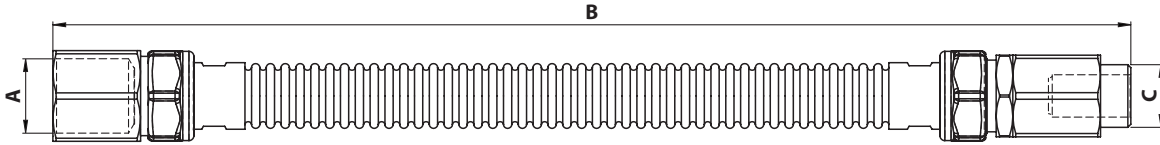
	DN15LF	DN15	DN15HF	DN20	DN20HF
<b>A</b>		134.5		144	
<b>B</b>		116.5		121.5	
<b>C</b>		80		80	
<b>D</b>		77		77	
<b>E</b>		98.5		102	
<b>F</b>		175.5		177.5	
<b>G</b>		Internal G $\frac{1}{2}$ "		Internal G $\frac{3}{4}$ "	
<b>H</b>		Internal Rp $\frac{1}{2}$ "		Internal Rp $\frac{3}{4}$ "	



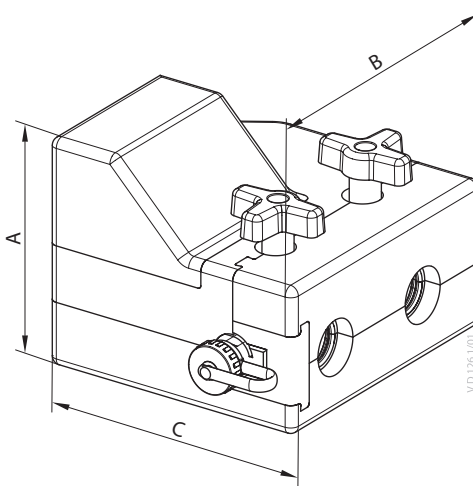
	DN15LF	DN15	DN15HF	DN20	DN20HF
<b>A</b>		134.5		144	
<b>B</b>		134.5		144	
<b>C</b>		80		80	
<b>D</b>		77		77	
<b>E</b>		98.5		102	
<b>F</b>		211		213	
<b>G</b>		Internal G $\frac{1}{2}$ "		Internal G $\frac{3}{4}$ "	
<b>H</b>		Internal Rp $\frac{1}{2}$ "		Internal Rp $\frac{3}{4}$ "	

**AB-QM 4.0 Flexo, DN 15-20**

Dimensions



	A	B	C
<b>DN15</b>	Internal Rp $\frac{1}{2}$ "	307.5	External G $\frac{1}{2}$ "
<b>DN20</b>	Internal Rp $\frac{3}{4}$ "	319.5	External G $\frac{3}{4}$ "



	A	B	C
<b>DN15</b>	135	175	160
<b>DN20</b>	135	185	167

**Danfoss A/S**

Climate Solutions • danfoss.com • +45 7488 2222

Any information, including, but not limited to information on selection of product, its application or use, product design, weight, dimensions, capacity or any other technical data in product manuals, catalogues descriptions, advertisements, etc. and whether made available in writing, orally, electronically, online or via download, shall be considered informative, and is only binding if and to the extent, explicit reference is made in a quotation or order confirmation. Danfoss cannot accept any responsibility for possible errors in catalogues, brochures, videos and other material. Danfoss reserves the right to alter its products without notice. This also applies to products ordered but not delivered provided that such alterations can be made without changes to form, fit or function of the product.

All trademarks in this material are property of Danfoss A/S or Danfoss group companies. Danfoss and the Danfoss logo are trademarks of Danfoss A/S. All rights reserved.