

Data sheet

# Ball valves

## BVR, BVR-D, BVR-F, BVR-C

**Description**

Ball valves (BVR, BVR-C, BVR-D and BVR-F) are two position stop valves dedicated to control the medium with ON/OFF function. They are suitable for distribution of water and glycol mixtures.

**BVR** (pg. 2)



**Main data:**

- Full bore ball valve with internal thread
- DN 15-50
- $k_{VS}$  15-243 m<sup>3</sup>/h
- PN 40
- Medium: Circulation water/water with glycol up to 50%
- Medium temperature: -20 ... 120 °C

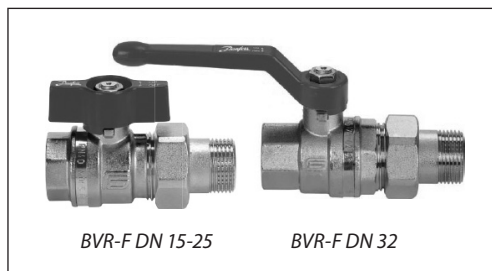
**BVR – D** (pg. 3)



**Main data:**

- Ball valves with blow off element
- DN 15-50
- $k_{VS}$  15-243 m<sup>3</sup>/h
- PN 40
- Medium: Circulation water/water with glycol up to 50%
- Medium temperature: -20 ... 110 °C

**BVR – F** (pg. 4)



**Main data:**

- Full bore ball valve with fitting
- DN 15-32
- $k_{VS}$  14-80 m<sup>3</sup>/h
- PN 40
- Medium: Circulation water/water with glycol up to 50%
- Medium temperature: -20 ... 110 °C

**BVR – C** (pg. 5)



**Main data:**

- Bib cock with hose union connection
- DN 15-25
- $k_{VS}$  1.7-4.9 m<sup>3</sup>/h
- PN 10 (for DN 15, 20), PN 40 (for DN 25)
- Medium: Circulation water/water with glycol up to 50%
- Medium temperature: 0 ... 90 °C

Ordering

BVR

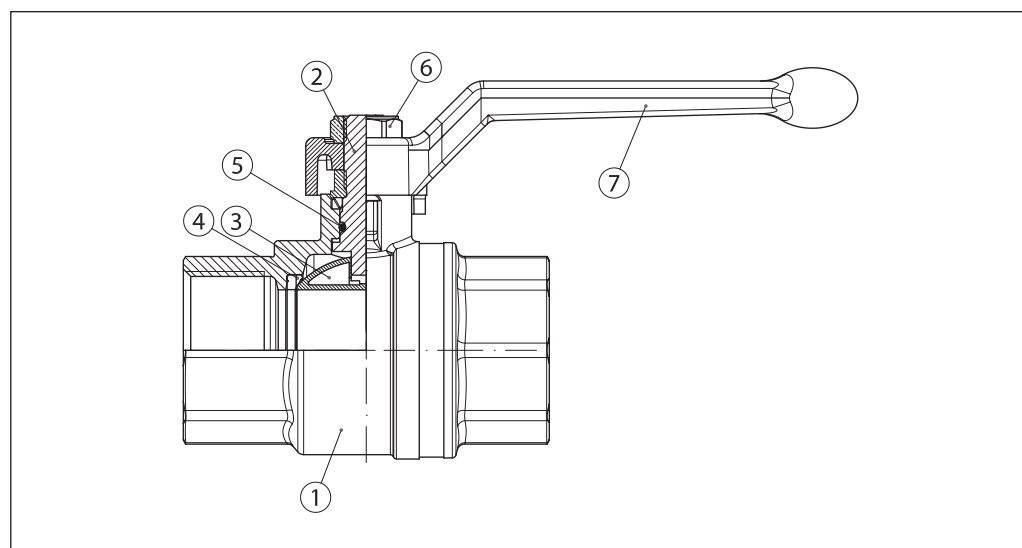
Picture	DN (mm)	$k_{vs}$ (m <sup>3</sup> /h)	PN (bar)	T <sub>min</sub> (°C)	T <sub>max</sub> (°C)	Code No.
	15	15	40	-20	120	065B8807
	20	28				065B8808
	25	39				065B8809
	32	84				065B8810
	40	156				065B8811
	50	243				065B8812

Technical data

Nominal diameter	DN	15	20	25	32	40	50
$K_{vs}$	m <sup>3</sup> /h	15	28	39	84	156	243
Angle of rotation		90°					
Nominal pressure	PN	40					
Medium		Circulation water / water with glycol up to 50 %					
Medium temperature	°C	-20 ... 120					
Transport and storage		-30 ... 100					
Connection type		Internal thread					
<b>Materials</b>							
Body and threaded end		Brass CW617N					
Stem and ball		Brass CW617N					
Lever		Die-cast aluminum alloy					
Surface treatment		Nickel-plating					

Design BVR

1. Body
2. Stem
3. Ball 2-way
4. Seats
5. O-rings
6. Fixing screw
7. Lever



Ordering

BVR-D

Picture	DN (mm)	$k_{vs}$ (m <sup>3</sup> /h)	PN (bar)	T <sub>min</sub> (°C)	T <sub>max</sub> (°C)	Code No.
	15	15	40	-20	110	065B8816
	20	28				065B8817
	25	39				065B8818
	32	84				065B8819
	40	156				065B8820*
	50	243				065B8821*

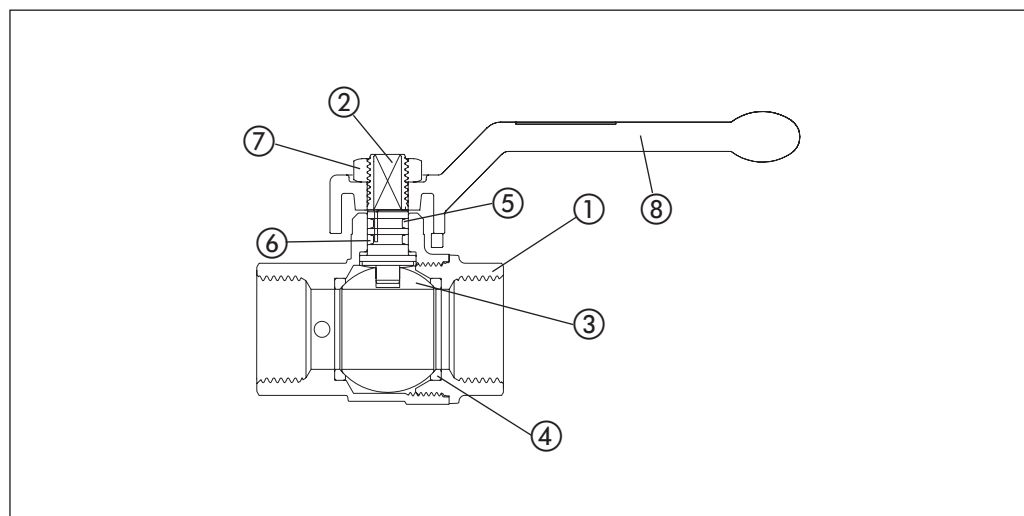
\*Available in Q3 2018

Technical data

Nominal diameter	DN	15	20	25	32	40	50
$K_{vs}$	m <sup>3</sup> /h	15	28	39	84	156	243
Angle of rotation		90°					
Nominal pressure	PN	40					
Medium		Circulation water / water with glycol up to 50 %					
Medium temperature	°C	-20 ... 110					
Transport and storage		-30 ... 100					
Connection type		Internal thread					
<b>Materials</b>							
Body and threaded end		Brass CW617N					
Stem and ball		Brass CW617N					
Lever		Die-cast aluminum alloy					
Surface treatment		Nickel-plating					

Design BVR-D

1. Body
2. Stem
3. Ball 2-way
4. Seats
5. O-ring
6. O-ring
7. Fixing screw
8. Lever



Ordering

BVR-F

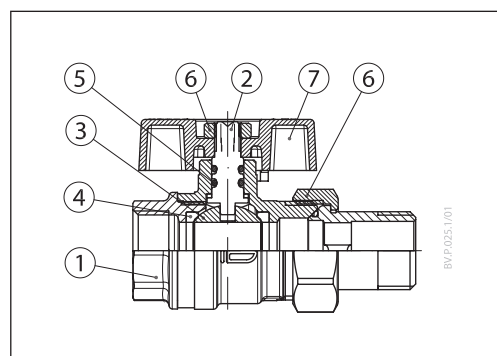
Picture	DN (mm)	$k_{vs}$ (m <sup>3</sup> /h)	PN (bar)	T <sub>min</sub> (°C)	T <sub>max</sub> (°C)	Code No.
	15	14	40	-20	110	065B8803
	20	26				065B8804
	25	36				065B8805
	32	80				065B8806

Technical data

Nominal diameter	DN	15	20	25	32
$K_{vs}$	m <sup>3</sup> /h	14	26	36	80
Angle of rotation		90°			
Nominal pressure	PN	40			
Medium		Circulation water / water with glycol up to 50 %			
Medium temperature	°C	-20 ... 110			
Transport and storage		-30 ... 100			
Connection type		Internal thread			
Materials					
Body and threaded end		Brass CW617N			
Stem and ball		Brass CW617N			
Lever		Die-cast aluminum alloy			
Surface treatment		Nickel-plating			

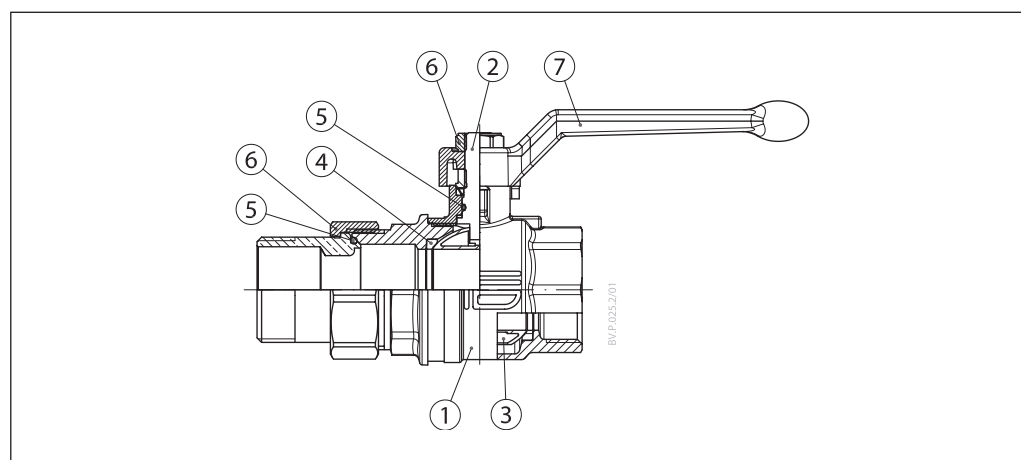
Design BVR-F (DN 15-25)

1. Body
2. Stem
3. Ball 2-way
4. Seat
5. O-ring
6. Nut
7. Lever



Design BVR-F (DN 32)

1. Body
2. Stem
3. Ball 2-way
4. Seats
5. O-ring
6. Nut
7. Lever



Ordering

BVR-C

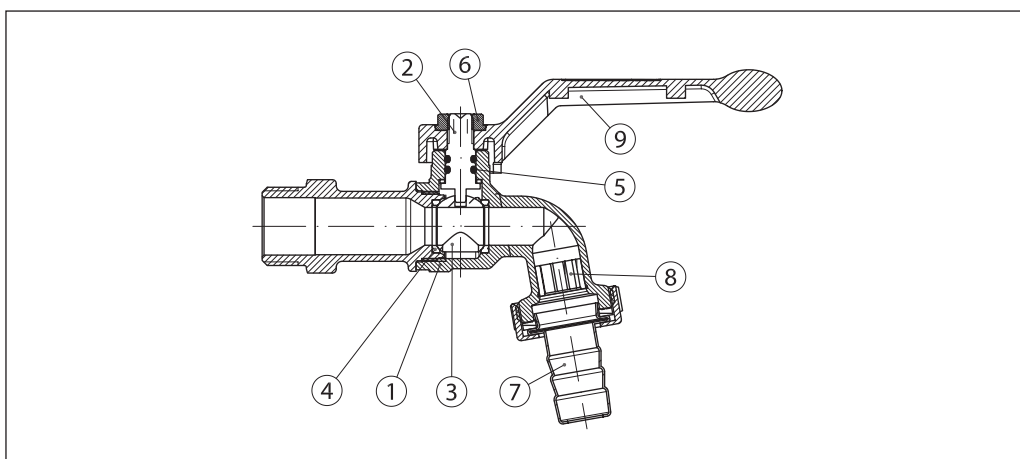
Picture	DN (mm)	$k_{vs}$ (m <sup>3</sup> /h)	PN (bar)	T <sub>min</sub> (°C)	T <sub>max</sub> (°C)	Code No.
	15	1.7	10	0	90	065B8800
	20	2.95				065B8801
	25	4.9	40			065B8802

Technical data

Nominal diameter	DN	15	20	25
$K_{vs}$	m <sup>3</sup> /h	1.7	2.95	4.9
Nominal pressure	PN	10		40
Medium	Circulation water / water with glycol up to 50 %			
Medium temperature	°C	0 ... 90		
Transport and storage		-30 ... 90		
Connection type	External thread			
<b>Materials</b>				
Body and threaded end	Brass CW617N			
Stem, ball and hose connector	Brass CW617N			
Lever	Die-cast aluminum alloy			
Surface treatment	nickel-plating			

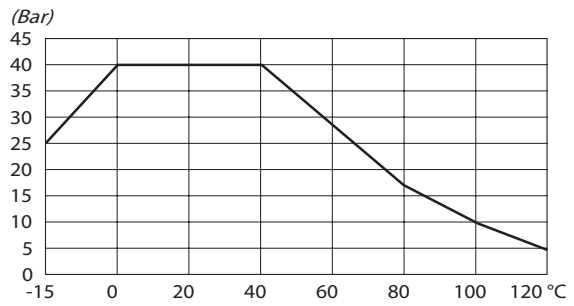
Design BVR-C

- 1. Body
- 2. Stem
- 3. Ball
- 4. Seats
- 5. O-rings
- 6. Nut
- 7. Hose connector
- 8. Filter
- 9. Lever

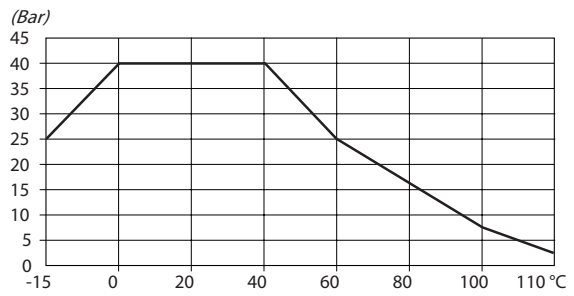


Pressure/Temperature diagram

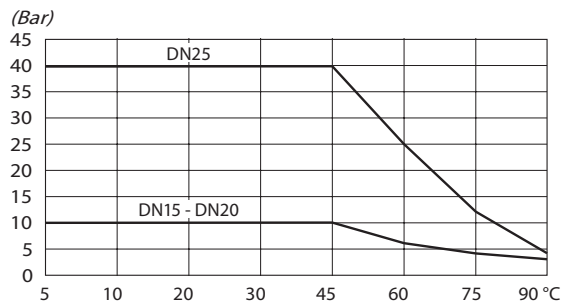
BVR DN 15-50



BVR-D DN 15-50  
BVR-F DN 15-32

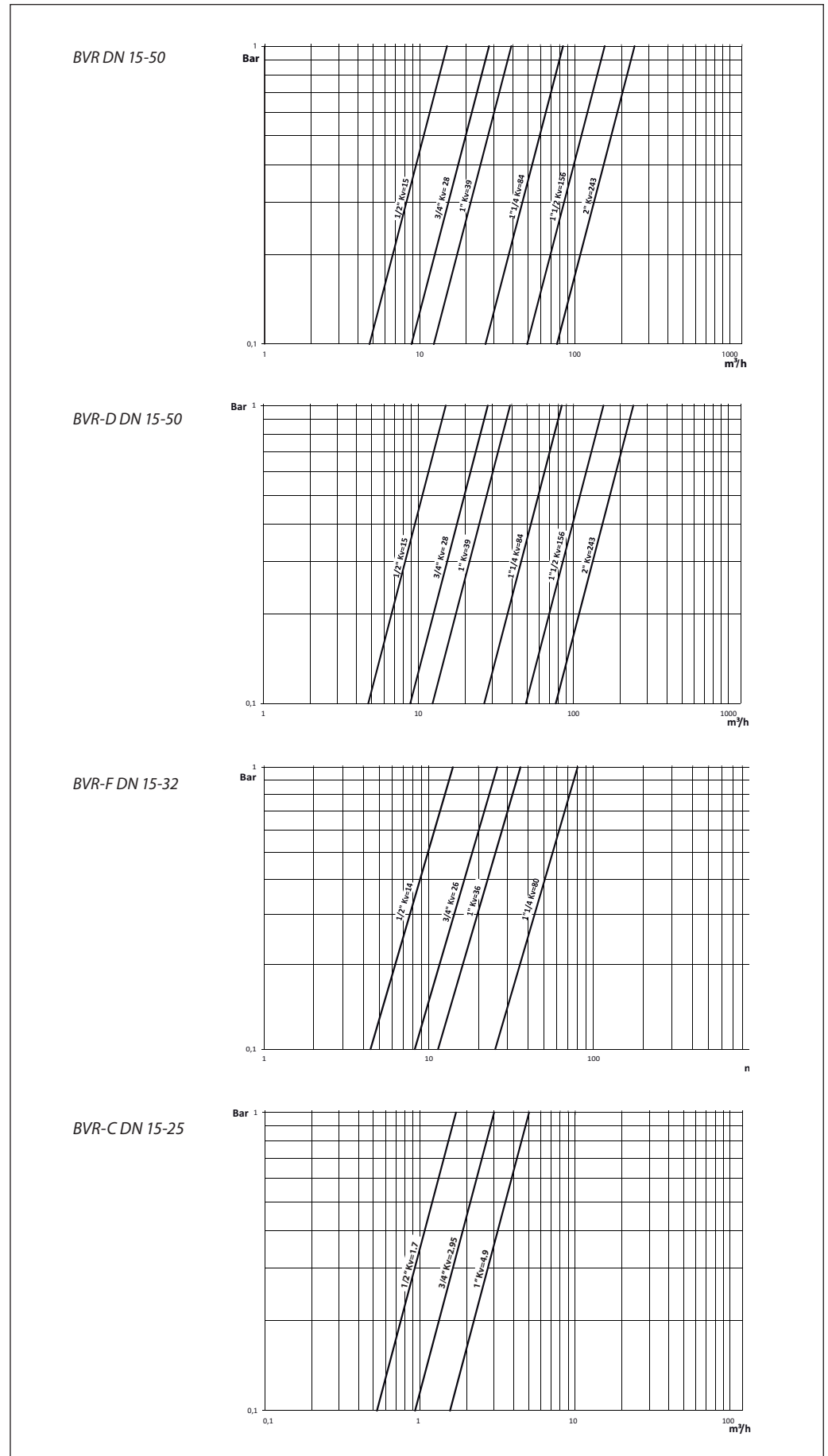


BVR-C DN 15-25

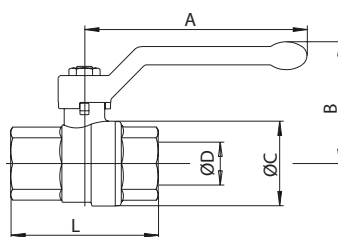


Maximum allowed operating pressure as a function of media temperature.

Pressure flow diagram

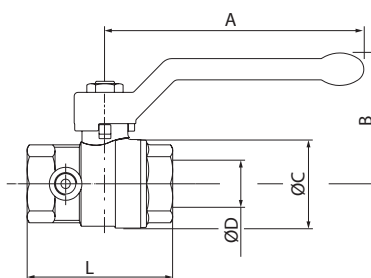


Dimensions



BVR (DN 15-50)

DN	A	B	ØC	ØD	L	Weight (g)
	mm					
15	85	49	32	15	61	200
20	105	57	40	20	70	335
25	105	61	48	25	84	480
32	130	70	57,5	32	96	762
40	130	76	70	40	106,5	1116
50	165	92	85,5	50	127,5	1880



BVR-D (DN 15-50)

DN	A	B	ØC	ØD	L	Weight (g)
	mm					
15	85	46	30	15	58	250
20	105	53	38	20	65	360
25	105	57	46	25	75	490
32	130	70	57,5	32	86,5	787
40	130	76	70	40	98	1155
50	165	92	85,5	50	116	1860

Dimensions (continuous)

