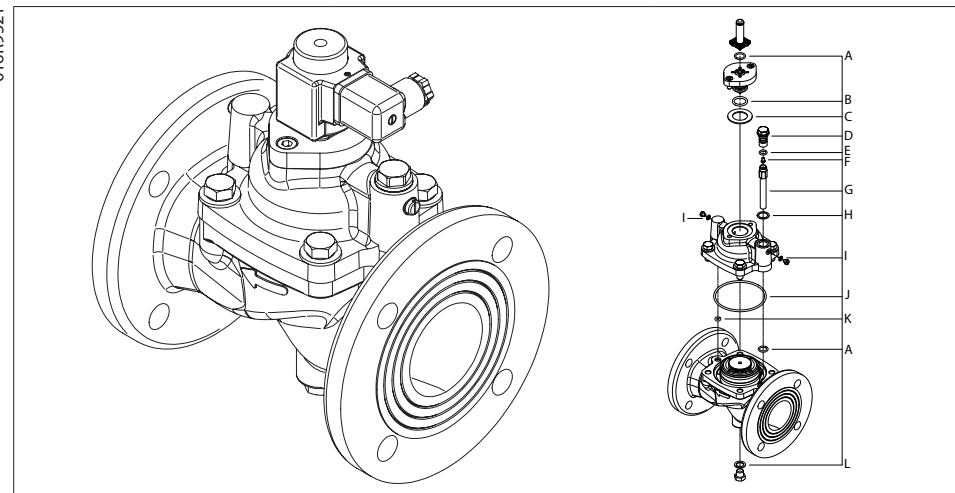


Installation guide

Solenoid valve - Seal kit


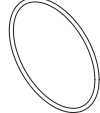
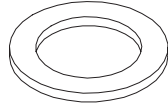


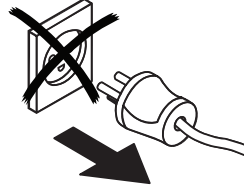
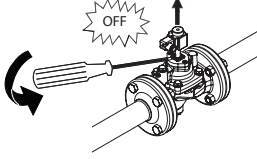
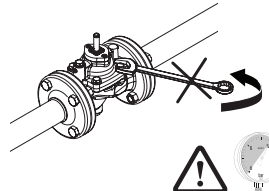
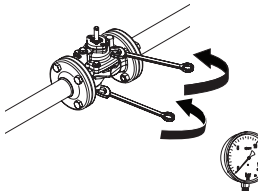
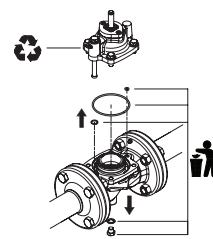
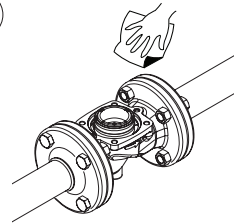
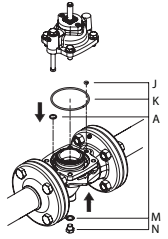
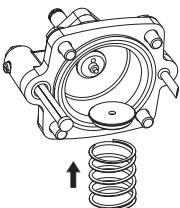
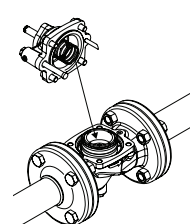
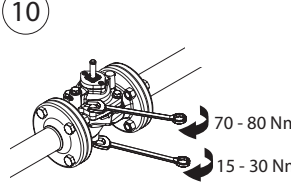
Type EV220B 65 - 100

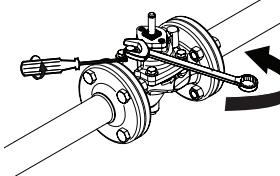
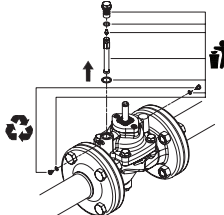
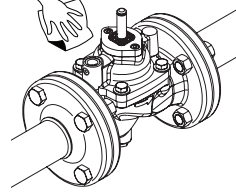
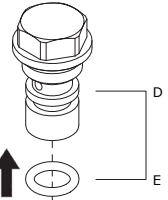
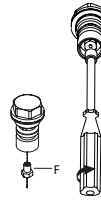
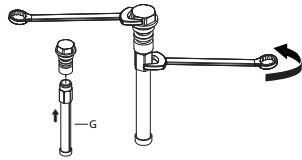
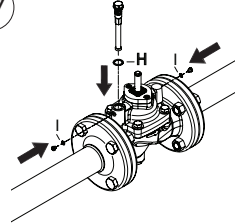
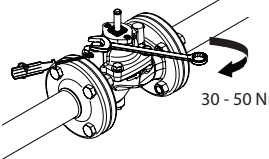
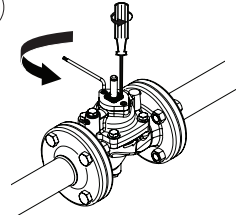
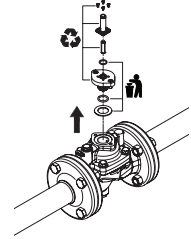
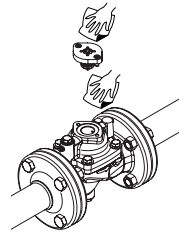
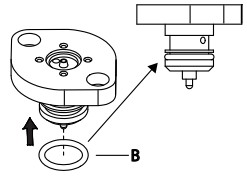
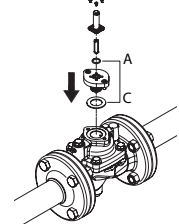
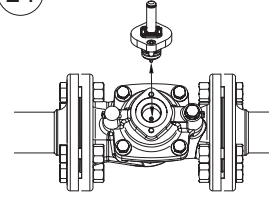
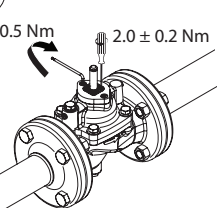
016R9521



016R9521

<p>A</p> <p>Total pcs. = 2</p>	<p>B</p> <p>Total pcs. = 1</p>	<p>C</p> <p>Total pcs. = 1</p>
<p>D</p> <p>Total pcs. = 1</p>	<p>E</p> <p>Total pcs. = 1</p>	<p>F</p> <p>Total pcs. = 1</p>
<p>G</p> <p>Total pcs. = 1</p>	<p>H</p> <p>Total pcs. = 1</p>	<p>I</p> <p>Total pcs. = 2</p>

<p>J</p>  <p>Total pcs. = 1</p>	<p>K</p>  <p>Total pcs. = 1</p>	<p>L</p>  <p>Total pcs. = 2</p>
<p>M</p>  <p>Total pcs. = 1</p>	<p>N</p>  <p>Total pcs. = 1</p>	<p>1</p> 
<p>2</p> 	<p>3</p> 	<p>4</p> 
<p>5</p> 	<p>6</p> 	<p>7</p> 
<p>8</p> 	<p>9</p> 	<p>10</p>  <p>70 - 80 Nm 15 - 30 Nm</p>

<p>11</p> 	<p>12</p> 	<p>13</p> 
<p>14</p>  <p>D E</p>	<p>15</p>  <p>F</p>	<p>16</p>  <p>G</p>
<p>17</p>  <p>H</p>	<p>18</p>  <p>30 - 50 Nm</p>	<p>19</p> 
<p>20</p> 	<p>21</p> 	<p>22</p>  <p>B</p>
<p>23</p>  <p>A C</p>	<p>24</p> 	<p>25</p>  <p>10 ± 0.5 Nm 2.0 ± 0.2 Nm</p>