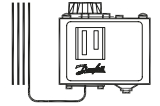
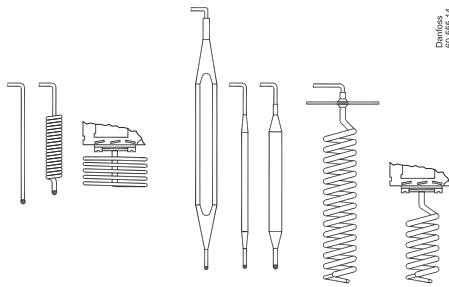


Installation guide

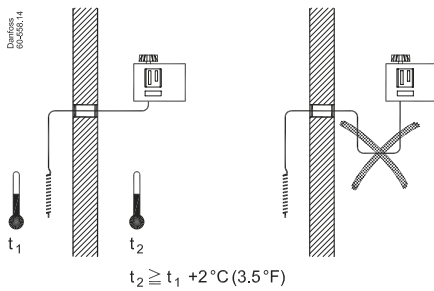
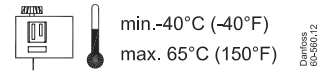
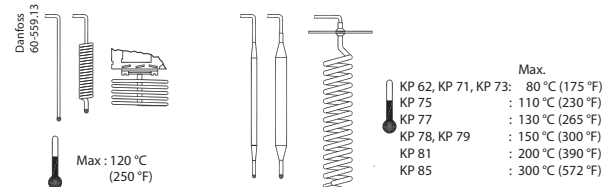
Thermostat
KP 61 – KP 85



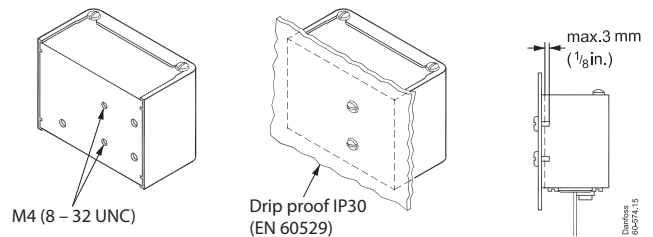
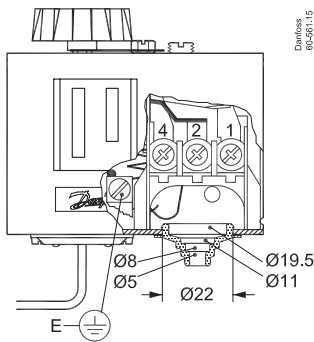
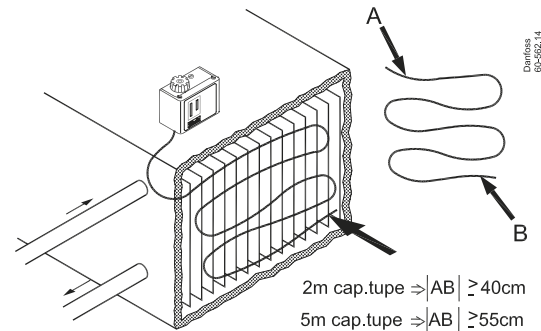
KP 61, KP 62, KP 63, KP 68, KP 69 vapour charge
KP 62, KP 71, KP 73, KP 75, KP 77, KP 78, KP 79, KP 81, KP 85 adsorption charge (cross ambient)



Vapour charge Adsorption charge



Vapour charge



Electrical rating - General

LR 112A	AC 1: 16A	400 V	DC 11
	AC 3: 16A		12 W
	AC 15: 10 A		220 V

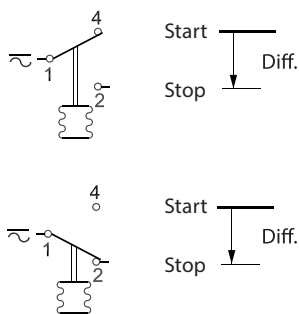
When used acc. to UL regulations

UL US LISTED Listed refrigeration controller 61B5

Voltage	FL	LR	Resist. load	Pilot duty
AC DC	A	A		
240	8	48	8 A	3 A
120	16	96	16 A	
	240			12 W

Use copper wire only
Tightening torque 20 lb.in.

* not applying for KP 85



Імпортер: ТОВ з іі "Данфосс ТОВ" 04080, Київ 80, п/с 168, Україна

Info for UK customers only: Danfoss Ltd., 22 Wycombe End, HP9 1NB, GB



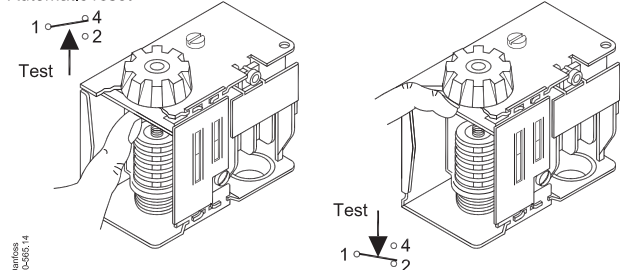
CAUTION:

Disconnect power supply before wiring connections are made or service to avoid possible electrical shock or damage to equipment.

Do never touch live parts with your fingers or with any tool.

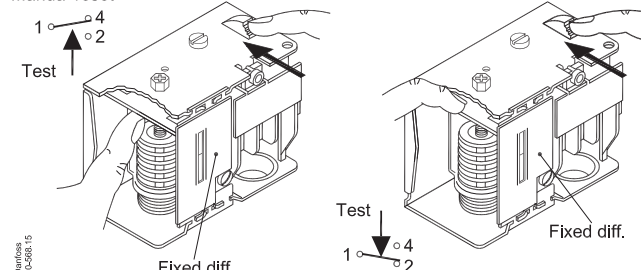
Manual trip function

Automatic reset



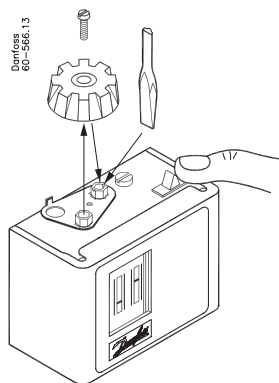
Danfoss
60-433.14

Manual reset

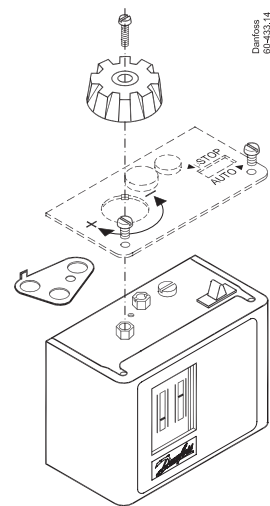


Danfoss
60-285.15

KP 61	060L110466, 060L110566
KP 71	060L111566
KP 73	060L113866



Danfoss
60-566.13



Danfoss
60-433.14

Vapour charge

