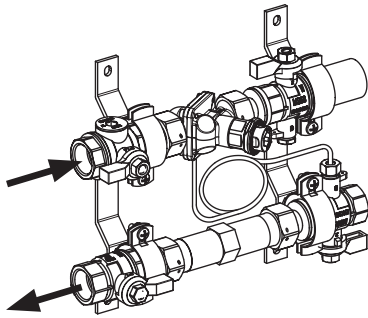


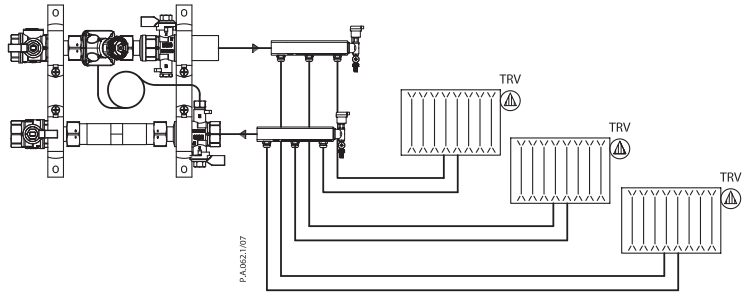
Operating Guide

AB-PM Rack set / AB-PM kit CIC (DN15-20)

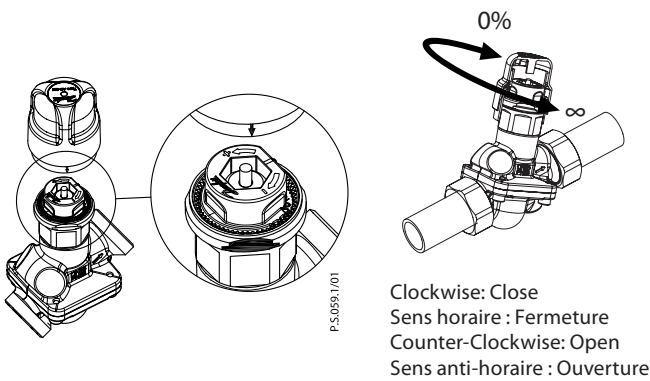
1 Configuration / Configuration



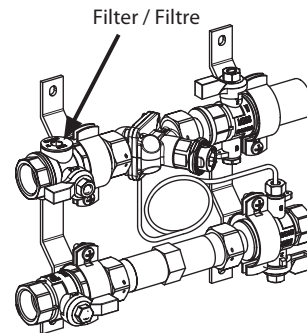
2 Application / Application



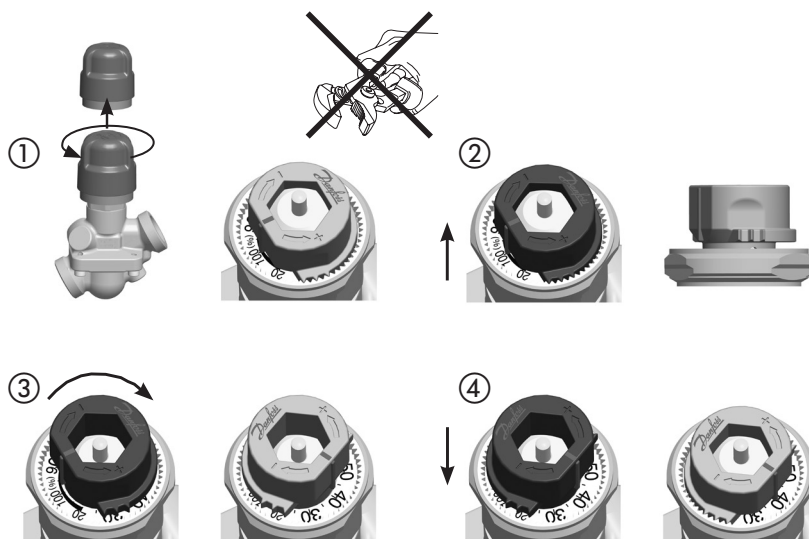
3 Manual Shut-off-plastic / Fermeture vanne $\Delta p \text{ max} = 1 \text{ bar}$



4 Filter / Filtre



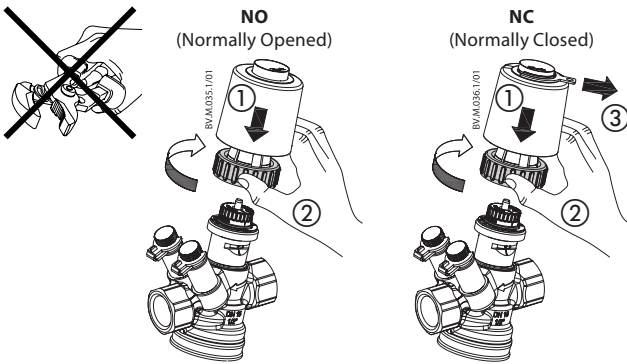
5 Setting / Réglage



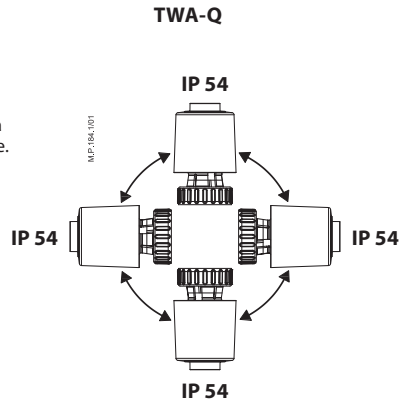
DN 15	L/h	DN 20	L/h
20%	60	20%	120
30%	90	30%	180
40%	120	40%	240
50%	150	50%	300
60%	180	60%	360
70%	210	70%	420
80%	240	80%	480
90%	270	90%	540
100%	300	100%	600

AB-PM Rack set/AB-PM kit CIC (DN15-20)

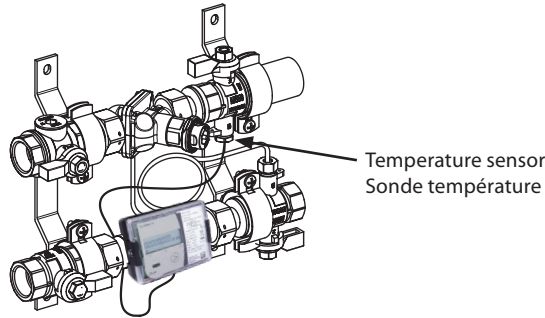
6 Mounting actuator / Montage de l'actionneur



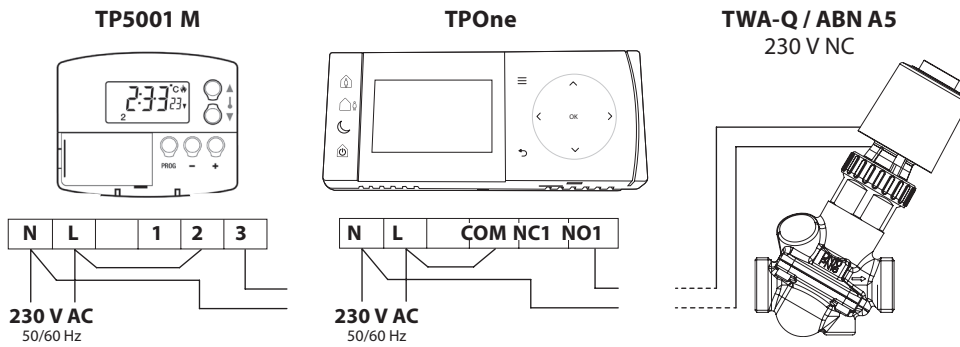
3 Remove the red tab.
Red tab serves to keep the valve open during filling.
Enlever la languette rouge.
Cette languette sert à maintenir la vanne ouverte lors du remplissage.



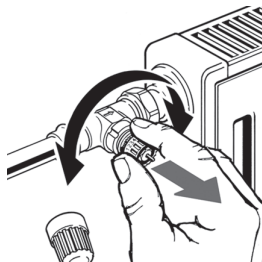
7 Mounting heatmeter / Montage du compteur d'énergie



8 Electrical connection / Raccordement électrique



9 RA-N flow setting / RA-N réglage débit



Setting / Réglage	Flow / Débit	Heat W / Puissance W	
		ΔT 15 K	ΔT 20 K
DN 15	L/h		
1	9	150	200
2	18	310	420
3	27	470	620
4	44	770	1000
5	67	1150	1550
6	89	1550	2050
7	115	2000	2650
N	165	2900	3800

Danfoss A/S
Heating Segment • danfoss.com • +45 7488 2222 • E-Mail: heating@danfoss.com

Danfoss can accept no responsibility for possible errors in catalogues, brochures and other printed material. Danfoss reserves the right to alter its products without notice. This also applies to products already on order provided that such alterations can be made without consequential changes being necessary in specifications already agreed. All trademarks in this material are property of the respective companies. Danfoss and all Danfoss logotypes are trademarks of Danfoss A/S. All rights reserved.