

Installation Guide

Differential pressure valve

Type NRD

020R9622

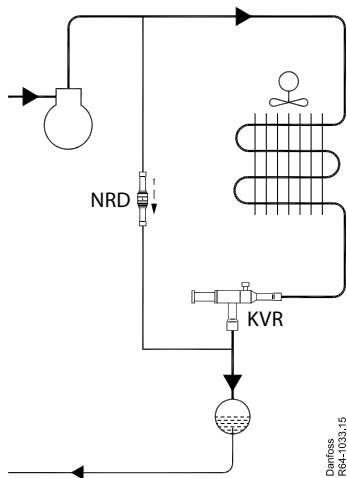
Refrigerants:
HCFC, HFC and HC

Applicable to all common non-flammable / flammable refrigerants, excluding R717 and to noncorrosive gases / liquids dependent on sealing material compatibility.
 The design pressure shall not be less than the value outlined in Section 9.2 of ANSI / ASHRAE 15 for the refrigerant used in the system.

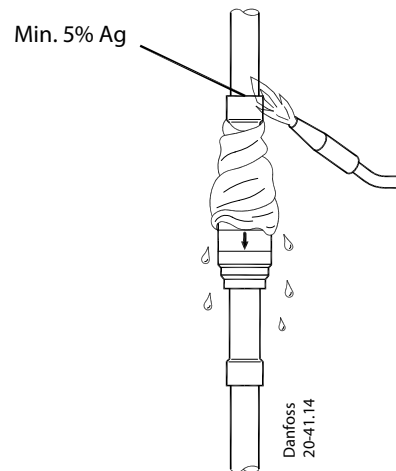
Max. Working Pressure:
 PS/MWP = 46 bar (667 psi)

Media temperature:
 Min. -50 °C (-58 °F)
 Max. 140 °C (285 °F)

020R9622



Danfoss
 REF-10351.15



Danfoss
 20-41.14