

# Installation guide

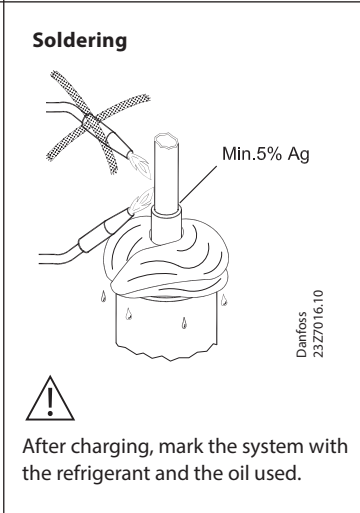
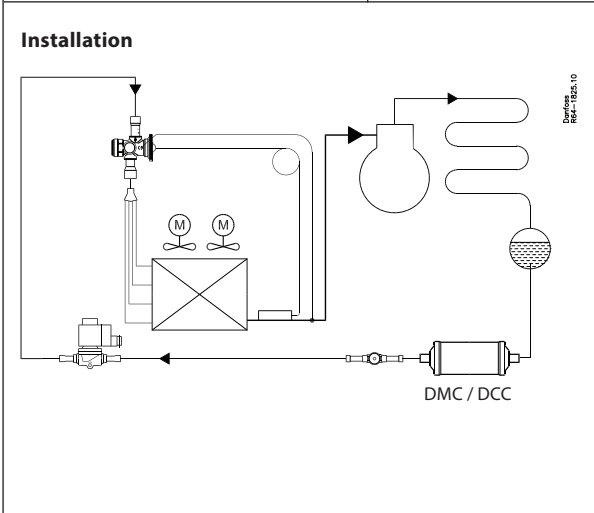
## ELIMINATOR® Hermetic receiver filter drier

### Type DMC and DCC

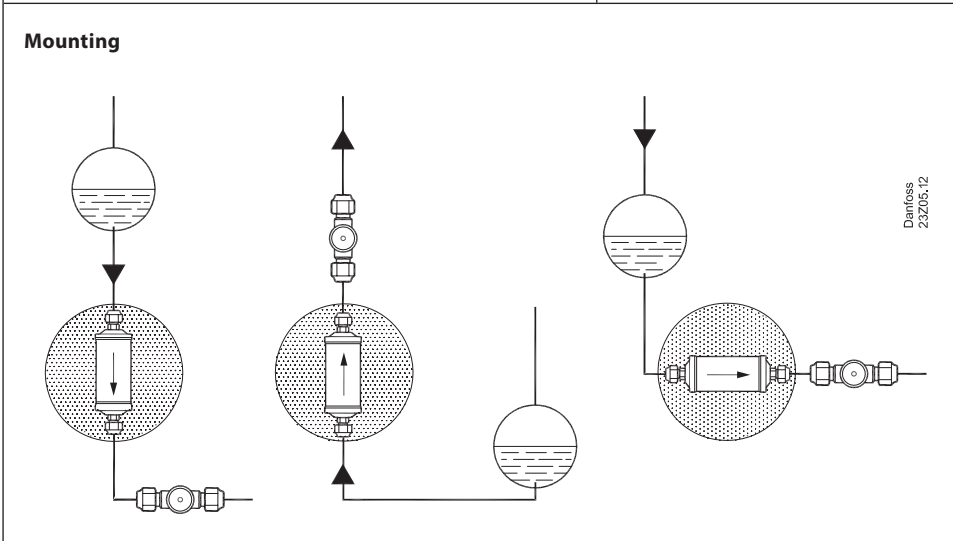
023R9534

<p><b>Refrigerants:</b></p> <p>R134a, R404A, R407C, R507, R22, R410A and other refrigerants (HCFC, HFC, HFO, HC)</p>	<p><b>Temperature range:</b></p> <p>-40 – 70 °C -40 – 160 °F</p>	<p><b>Max. working pressure:</b></p> <p>PS / MWP = 42 bar / 610 psig</p>
--	--	--

023R9534



Danfoss  
23Z7016.10



Danfoss  
23Z05.12