



REFRIGERATION AND
AIR CONDITIONING

Instructions

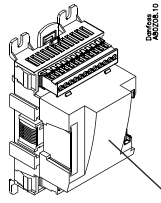
AK-XM 101A



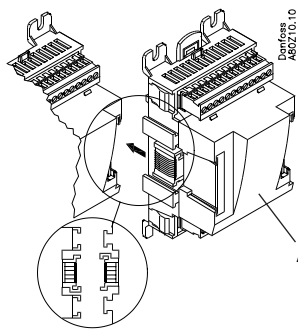
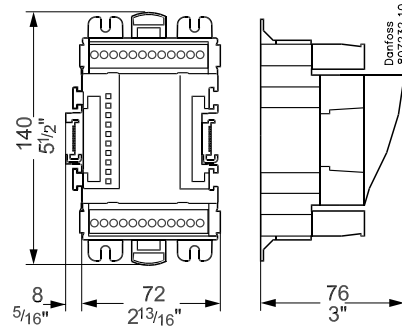
080R9212



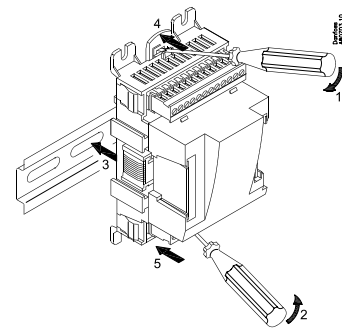
RI8HF502



080Z0007



AK-XM 101A



CE

-20° < t_{amb} < 55°C
-0°F < t_{amb} < 130°F
0 - 95% RH, non condensing
IP10 / VBG4
UL: E357029

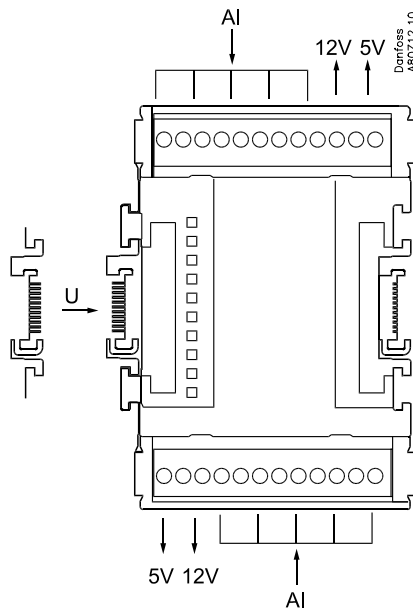


Warning

Ensure power is disconnected before adding or removing Modules

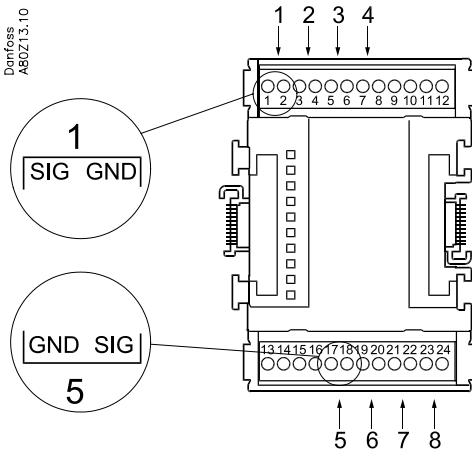
AI x 8

Max. 10 V



Point

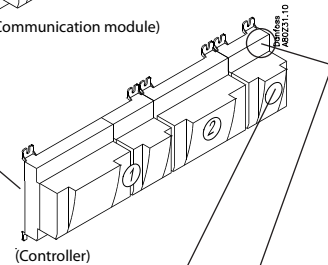
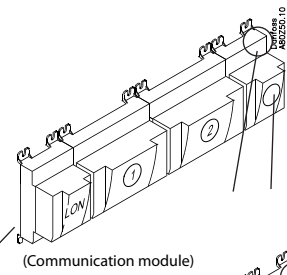
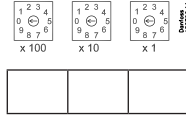
Denfoss
AB0271.3.10



- Terminal 9: 12V
- Terminal 10: 5V
- Terminal 15: 5V
- Terminal 16: 12V
- Terminal 11, 12, 13, 14:

	Signal	Signal type
S (sensor) Pt 1000 ohm/0°C 	S1 S2 Saux1 Saux2 SSA SdA	Pt 1000
P (pressure) AKS 32R AKS 32 	P0A POB PcA PcB	AKS 32R AKS 2050 MBS 8250 -1 - xx bar AKS 32 -1 - zz bar
U (voltage) 	...	0 - 5V 0 - 10V
On/Off 	Ext. Main switch Day/ Night Door	Active at: Closed / Open

Address



Signal	Signal type / Active at	Module	Point	Terminals
			1 (AI 1)	1 - 2
			2 (AI 2)	3 - 4
			3 (AI 3)	5 - 6
			4 (AI 4)	7 - 8
			5 (AI 5)	17 - 18
			6 (AI 6)	19 - 20
			7 (AI 7)	21 - 22
			8 (AI 8)	23 - 24

The Product contains electrical components and may not be disposed together with domestic waste. Equipment must be separate collected with Electrical and Electronic waste. According to Local and currently valid legislation.