



REFRIGERATION AND
AIR CONDITIONING

Instructions

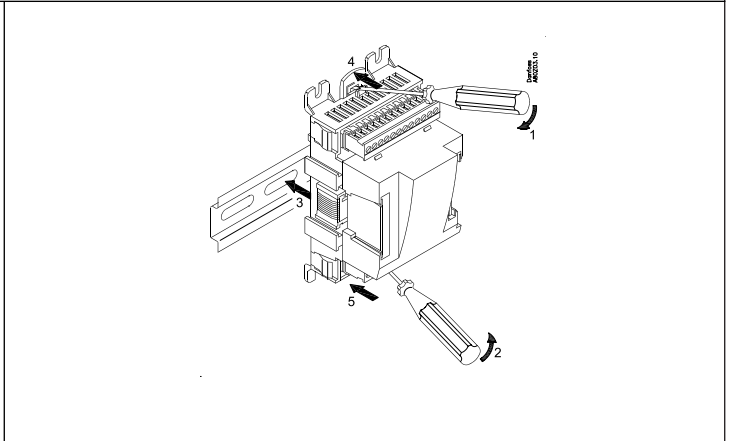
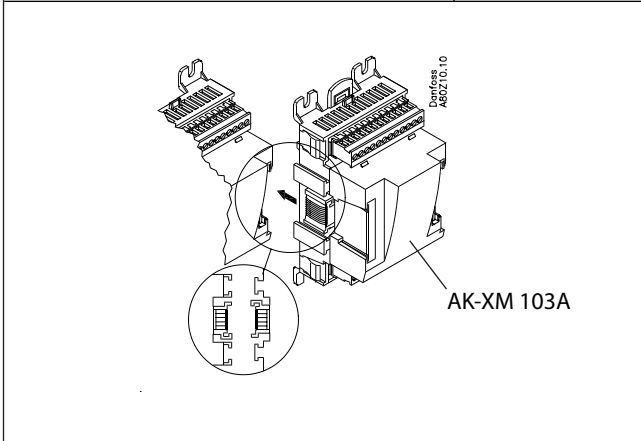
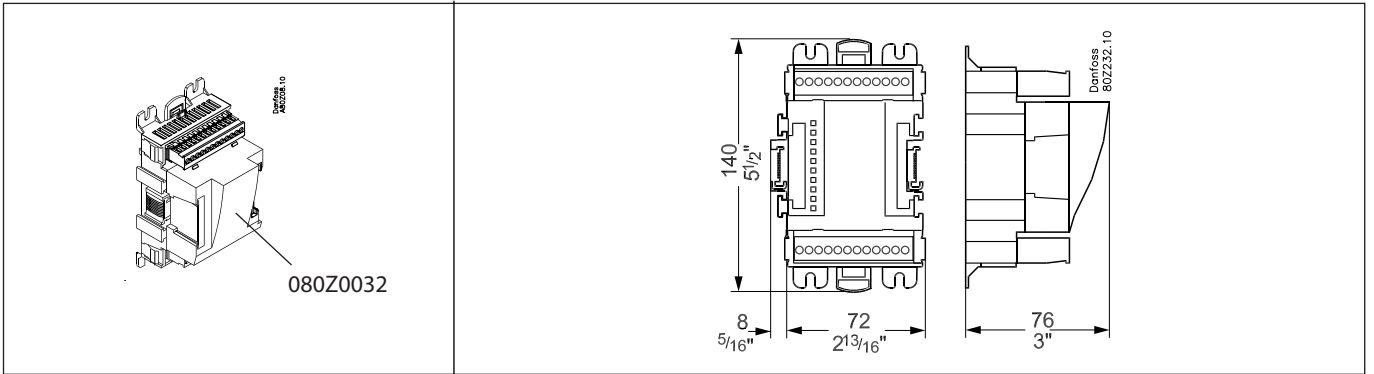
AK-XM 103A



080R9285

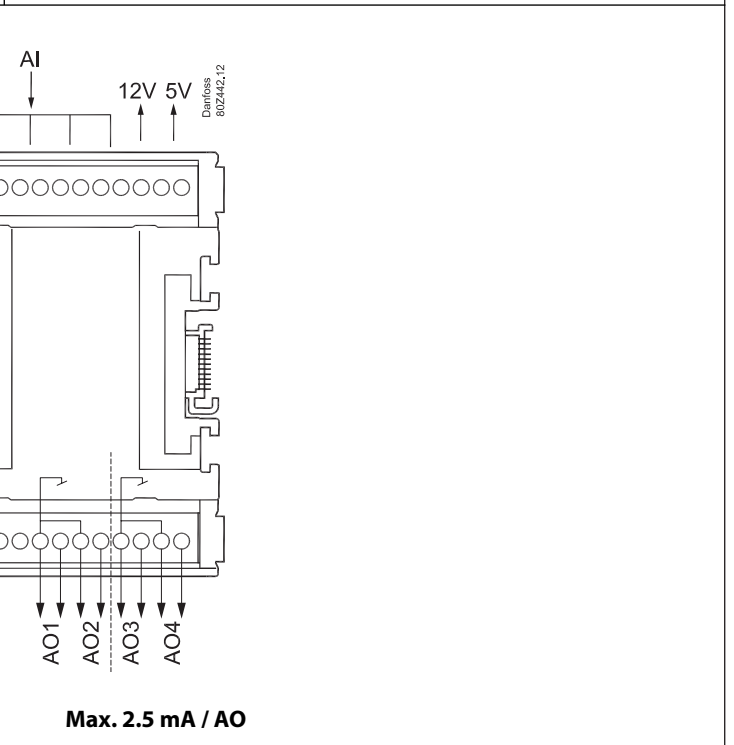
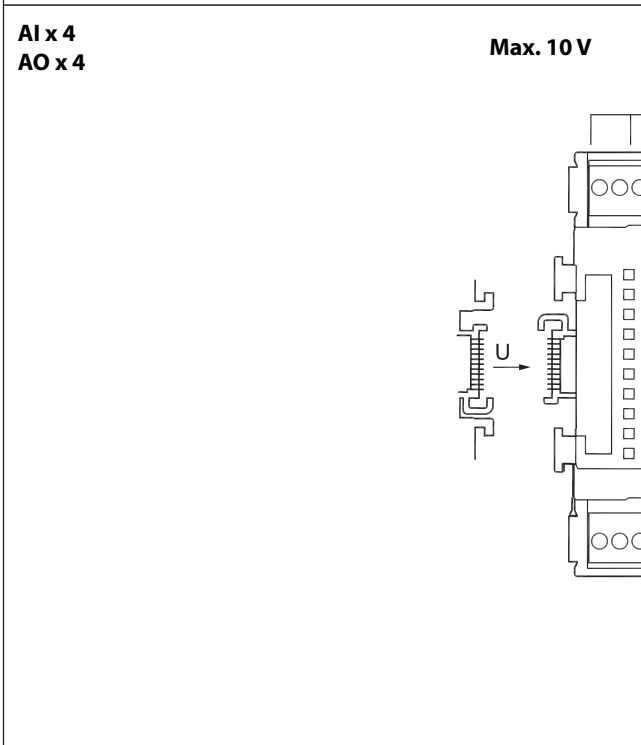


RI8NJ402

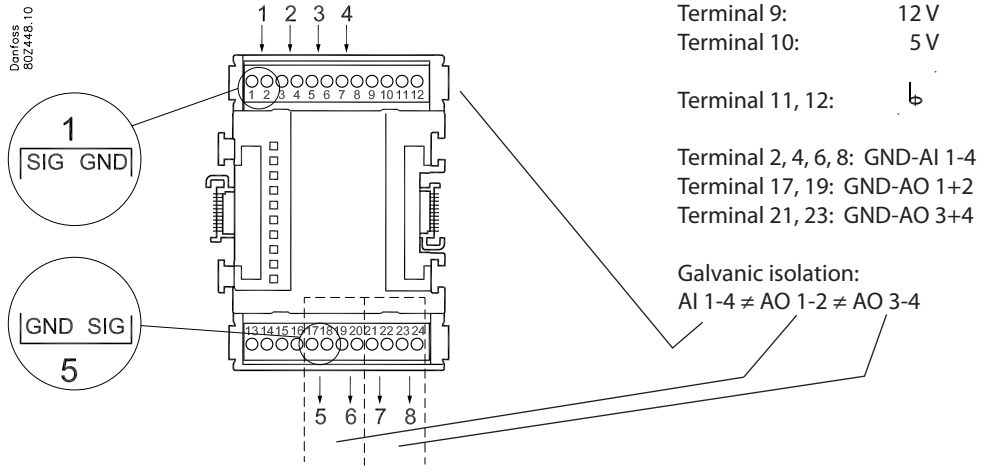


CE
 $-20^{\circ} < t_{amb} < 55^{\circ}C$
 $-0^{\circ}F < t_{amb} < 130^{\circ}F$
 0 - 95% RH, non condensing
 IP10 / VBG4
 UL: E357029

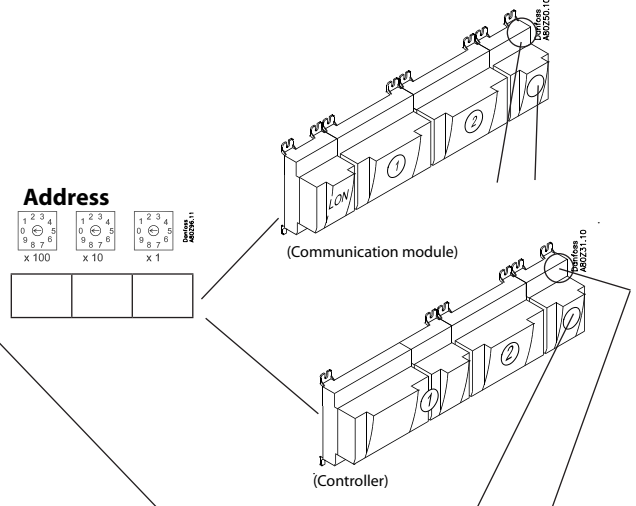
Warning
 Ensure power is disconnected before adding or removing Modules



Point



AI	Signal	Signal type
S (sensor) Pt 1000 ohm/0°C 	S1 S2 Saux1 SSA2 SdA	Pt 1000
P (pressure) AKS 32R AKS 32 	POA POB PcA PcB	AKS 32R AKS 2050 MBS 8250 -1 - xx bar AKS 32 -1 - zz bar
U (voltage) 	...	0 - 5 V 0 - 10 V
On/Off 	Ext. Main switch Day/ Night Door	Active at: Closed / Open
AO 		0-10 V



Signal	Signal type / Active at	Module	Point	Terminals
			1 (AI 1)	1 - 2
			2 (AI 2)	3 - 4
			3 (AI 3)	5 - 6
			4 (AI 4)	7 - 8
			5 (AO 1)	17 - 18
			6 (AO 2)	19 - 20
			7 (AO 3)	21 - 22
			8 (AO 4)	23 - 24

The Product contains electrical components And may not be disposed together with domestic waste. Equipment must be separate collected with Electrical and Electronic waste. According to Local and currently valid legislation.