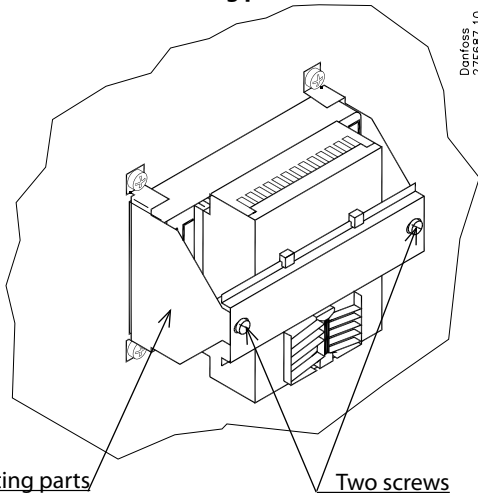


027R9790

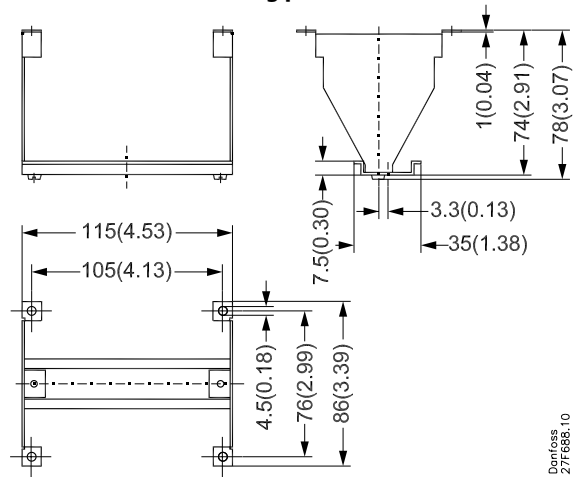
027R9790

<b>Code No.</b>
<b>027F0309</b>
Fits to Danfoss EKC controls Enclosure rating: IP 67 (~ NEMA 6)

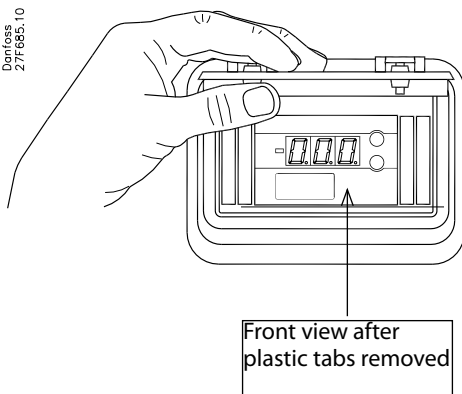
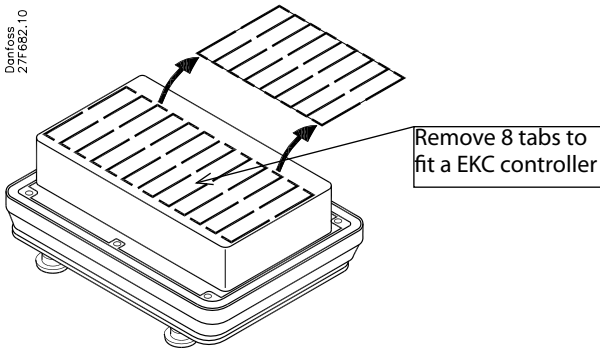
#### Assembled view of metal mounting parts from inside electrical box.



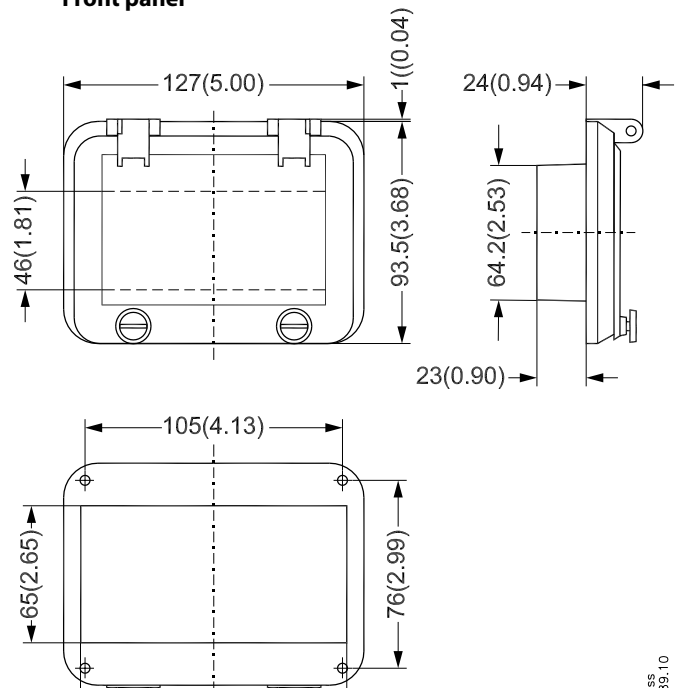
#### Metal mounting parts



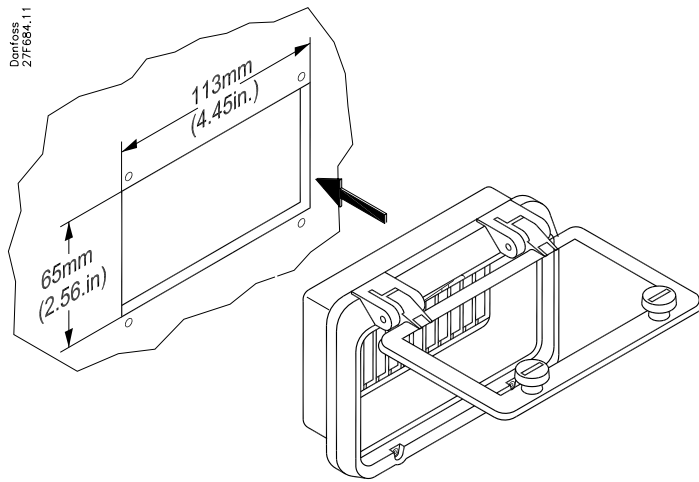
#### Remove plastic tabs in the front panel.



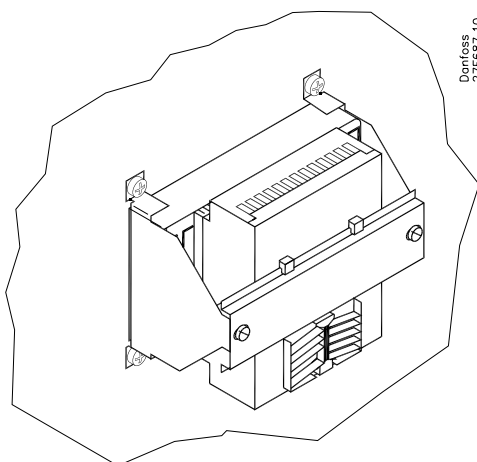
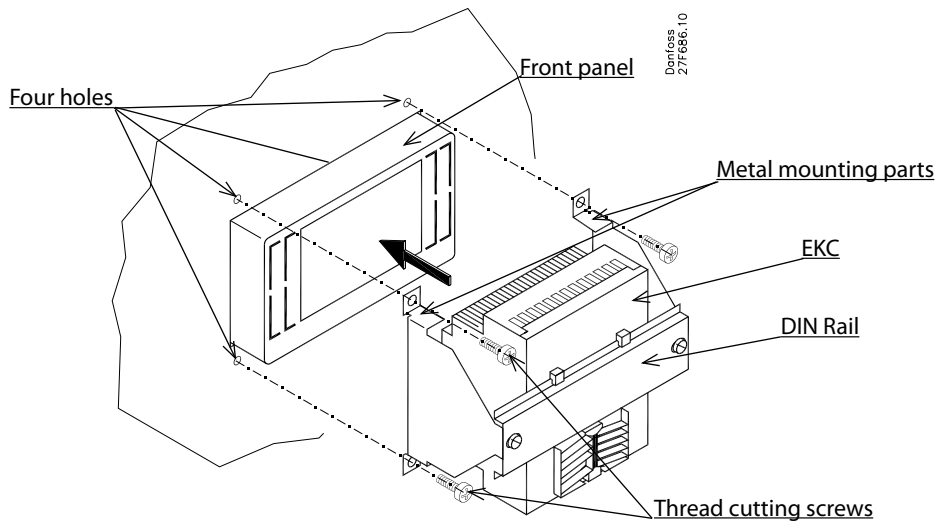
#### Front panel



**Cutting of rectangular hole in the electrical box.**



**Making of holes to drill in the electrical box and final assembly.**



- Install the front panel from outside of the electrical box.
- Install the metal mounting parts on top of the front panel from inside of the electrical box.
- Mark the four 4,5 mm (11/64 in.) holes
- Assemble front panel and metal mounting parts with the 4 pcs of thread cutting screws.
- Please observe that EKC can be installed by removing the 2 screws that holds the DIN rail.

Danfoss can accept no responsibility for possible errors in catalogues, brochures and other printed material. Danfoss reserves the right to alter its products without notice. This also applies to products already on order provided that such alterations can be made without subsequential changes being necessary in specifications already agreed. All trademarks in this material are property of the respective companies. Danfoss and the Danfoss logotype are trademarks of Danfoss A/S. All rights reserved.