

Installation guide

# Tube-in-tube heat exchanger

## HE

015R9711

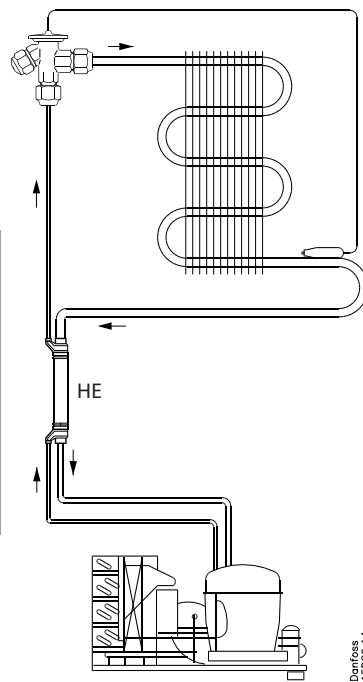
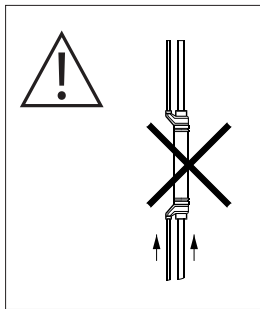
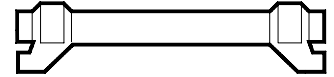
015R9711

### Refrigerants:

R22, R1270\*, R134a, R290\*, R404A, R407A, R407C, R407F, R448A, R449A, R450A, R452A, R507A, R513A, R600\*, R600a\*

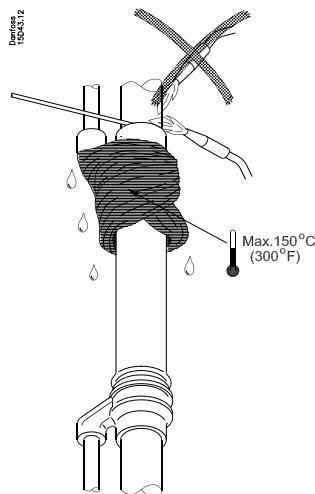
\*) Applicable for HE 0.5, HE 1.0 and HE 1.5 only.

For complete list of approved refrigerants, visit [www.products.danfoss.com](http://www.products.danfoss.com) and search for individual code numbers, where refrigerants are listed as part of technical data.



Type	HE 0.5, HE 1.0, HE 1.5, HE 4.0	HE 8.0
Max. working pressure PS/MWP	28 bar/406 psig	21.5 bar/312 psig
Max. test pressure (one time)	40 bar/580 psig	28 bar/406 psig
Temperature range	-60 – 120 °C (-76 – 248 °F)	

Silver flo 55 + Easy flow flux



Max. 150 °C (300 °F)