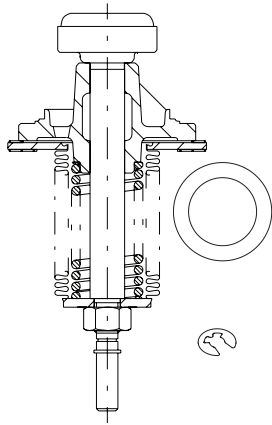
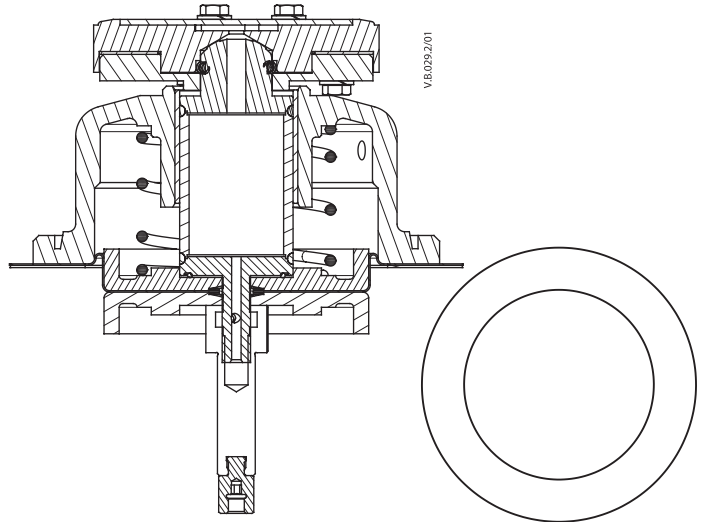


Installation Guide

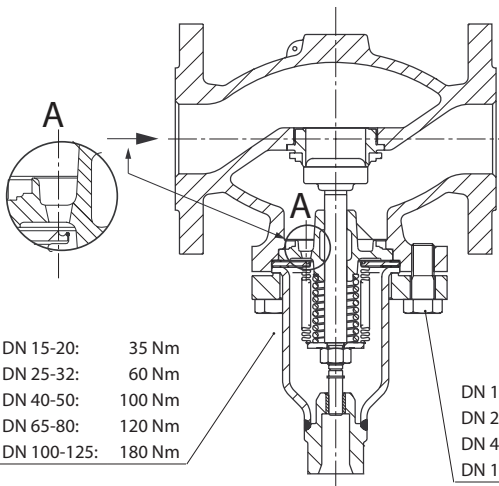
VFG, VFQ, VFU, VFGS, AFQM, PCV



VFG/Q/U/S 2 (DN15-125)
 VFG/Q/U 21 (DN15-125)
 AFQM (DN40-125)
 PCV (DN100,125)



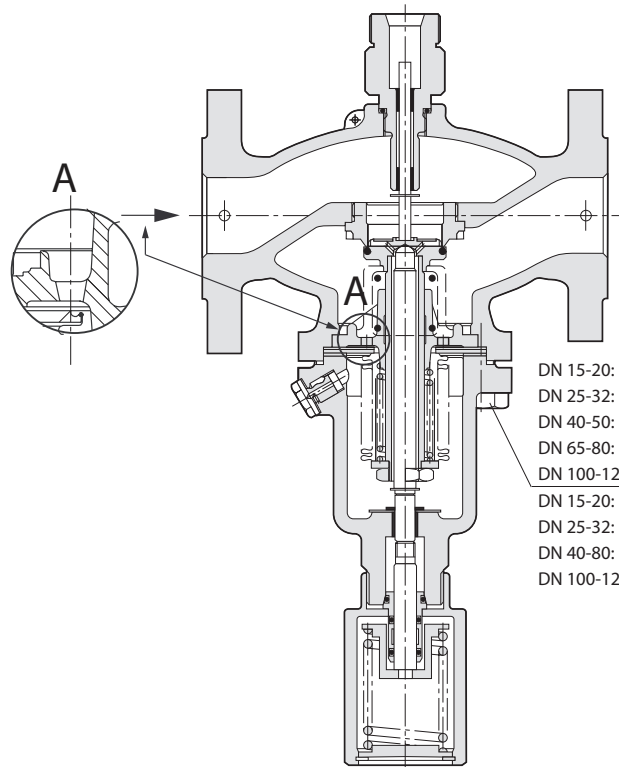
VFG/Q/S 2 (DN150, 250)
 VFG/Q 21 (DN150)
 PCV (DN150)



DN 15-20: 35 Nm
 DN 25-32: 60 Nm
 DN 40-50: 100 Nm
 DN 65-80: 120 Nm
 DN 100-125: 180 Nm

DN 15-20: SW 16
 DN 25-32: SW 18
 DN 40-80: SW 24
 DN 100-125: SW 30

VFG, VFGS, VFQ, VFQM

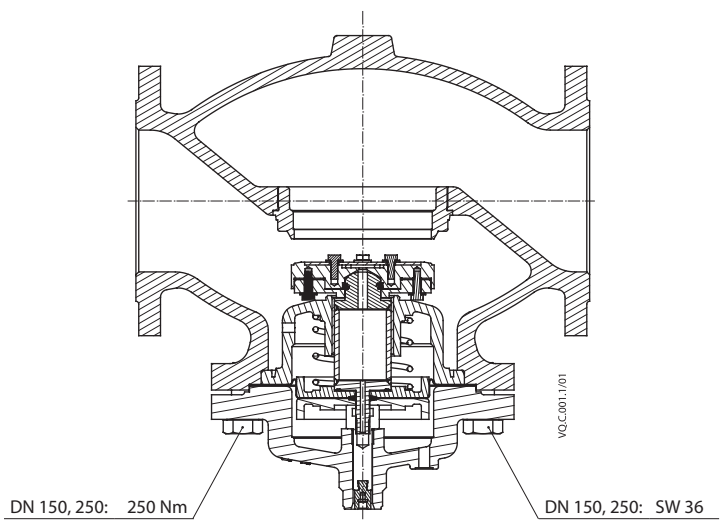
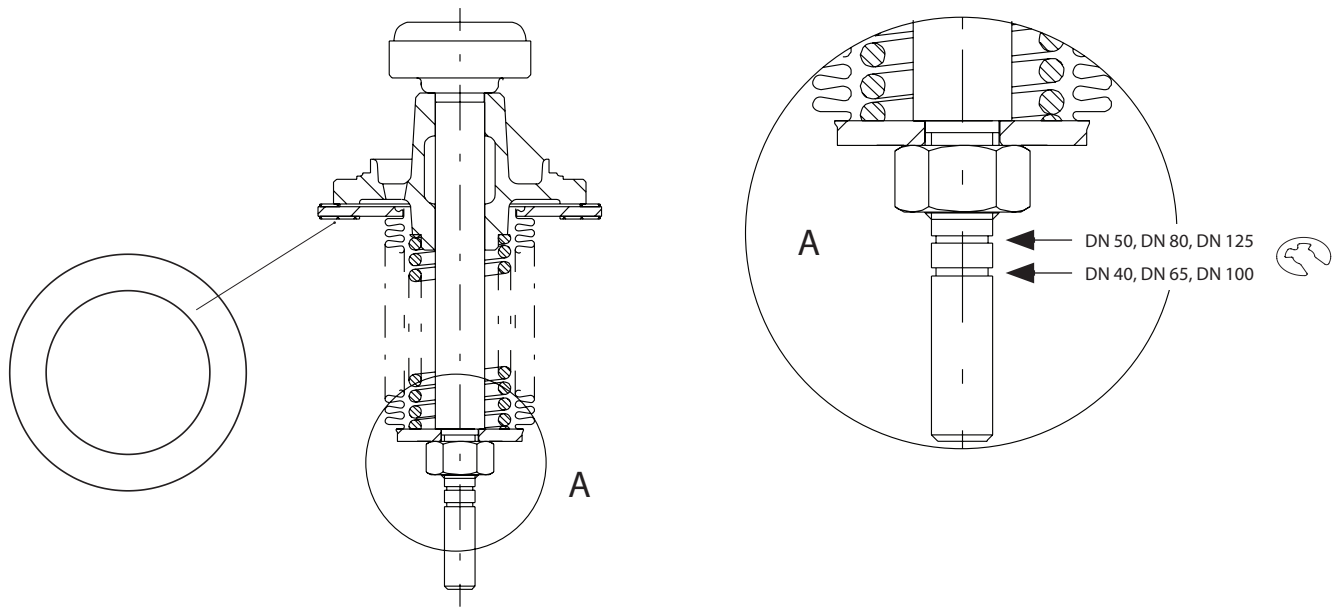


DN 15-20: 35 Nm
 DN 25-32: 60 Nm
 DN 40-50: 100 Nm
 DN 65-80: 120 Nm
 DN 100-125: 180 Nm

DN 15-20: SW 16
 DN 25-32: SW 18
 DN 40-80: SW 24
 DN 100-125: SW 30

VFU

Installation Guide VFG, VFQ, VFU, VFGS, AFQM, PCV



VFG, VFQ, VFGS, PCV

Danfoss can accept no responsibility for possible errors in catalogues, brochures and other printed material. Danfoss reserves the right to alter its products without notice. This also applies to products already on order provided that such alterations can be made without subsequent changes being necessary in specifications already agreed. All trademarks in this material are property of the respective companies. Danfoss and the Danfoss logotype are trademarks of Danfoss A/S. All rights reserved.