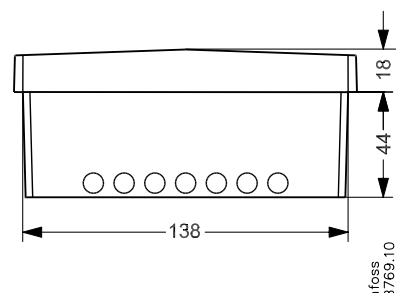
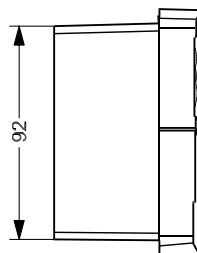
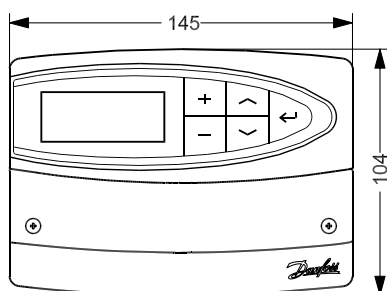
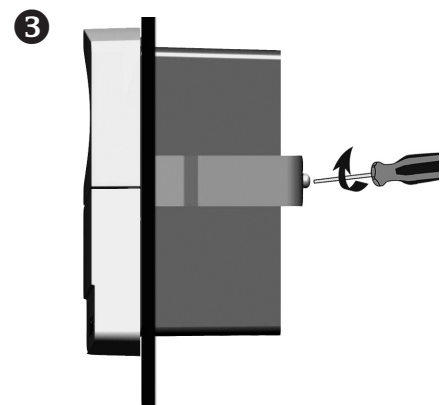
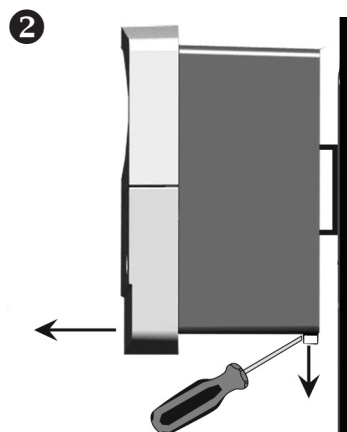
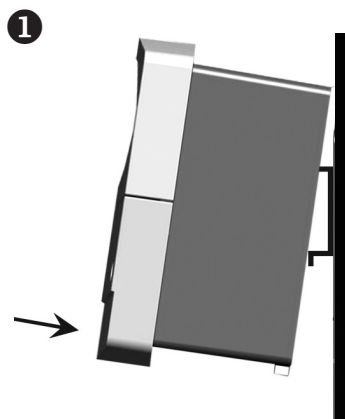
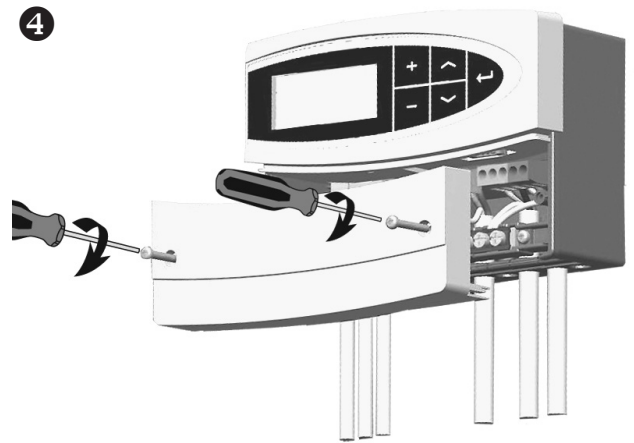
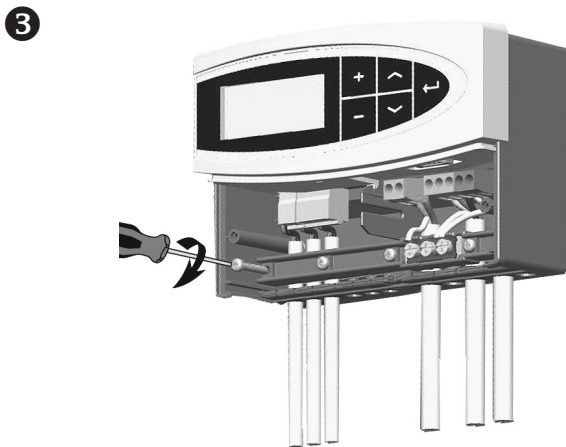
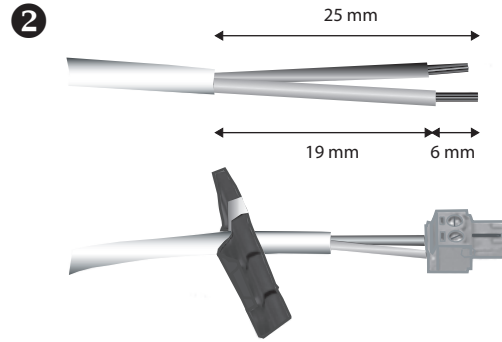
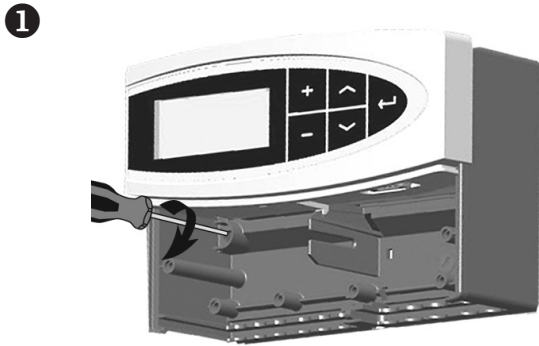


Installation Guide

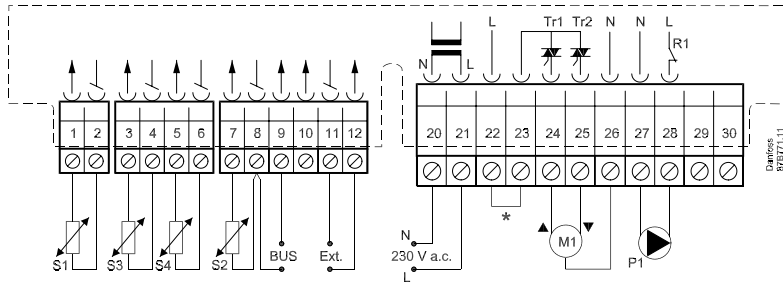
ECL Comfort 110



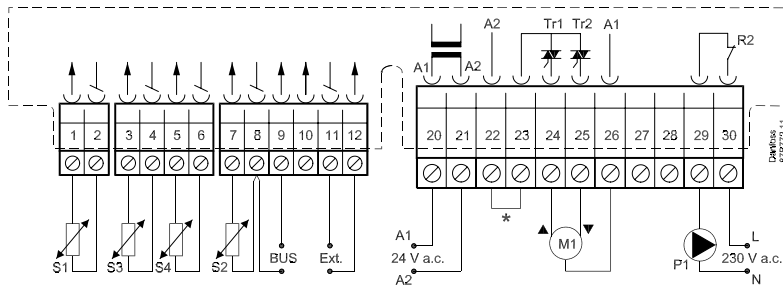


Installation Guide, ECL Comfort 110

230 V a.c.



24 V a.c.



Danfoss A/S
Birkedalshøj
Denmark
CVR#: 25 18 57 15
Telephone: +45 7488 2222
Fax: +45 7448 0949

EU-DECLARATION OF CONFORMITY
Danfoss A/S
Danfoss Commercial Controls

declares under our sole responsibility that the

Product(s) Electronic Controllers

Type(s)
ECL Comfort 110, 230Vac
ECL Comfort 110, 24Vac

Accessories for use with the controller
ECA 110 | ECA 61 | ESM-(pt1000 sensors)

Covered by this declaration is in conformity with the following directive(s), standard(s) or other normative document(s), provided that the product is used in accordance with our instructions.

Low Voltage Directive 2014/35/EU
EN 60730-1:2011

Electromagnetic compatibility (EMC) Directive 2014/30/EU
EN 61000-6-1:2007
EN 61000-6-3:2007 +
A1:2011

Restriction of Hazardous Substances (RoHS) Directive - 2011/65/EU

Date	Issued by	Date	Approved by
2016.07.06	Signature:	2016.07.06	Signature:
	Name: Bjørn Strand		Name: Aleksander Kjekshus
	Title: Portfolio Manager		Title: Senior Vice President

Danfoss only vouches for the correctness of the English version of this declaration. In the event of the declaration being translated into any other language, the translator concerned shall be liable for the correctness of the translation.

ID No: V:KTL602 Revision No: 02 Page 1 of 1

? **ECL Comfort 110: www.heating.danfoss.com**

? **<https://www.youtube.com/user/DanfossHeating>**
-> Playlists -> How-to Videos -> District Energy installation videos



Danfoss A/S
Heating Segment • danfoss.com • +45 7488 2222 • E-Mail: heating@danfoss.com



Danfoss can accept no responsibility for possible errors in catalogues, brochures and other printed material. Danfoss reserves the right to alter its products without notice. This also applies to products already on order provided that such alterations can be made without consequential changes being necessary in specifications already agreed. All trademarks in this material are property of the respective companies. Danfoss and all Danfoss logotypes are trademarks of Danfoss A/S. All rights reserved.