

Application



By means of a lockshield valve, type RLV, every radiator can be shut off individually to allow trouble-free maintenance or repair without affecting other radiators in the system.

In order to avoid deposition and corrosion the composition of the hot water must be in accordance with the VDI 2035 guideline (Verein Deutscher Ingenieure).

The lockshield valve, type RLV, is available in an angle version as well as a straight version. Finish: plain brass or nickel plated.

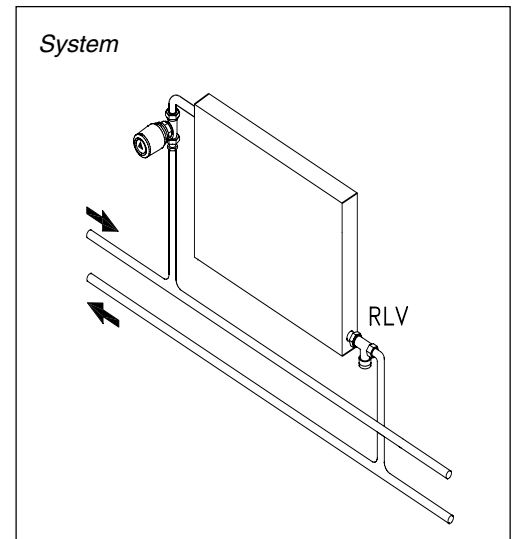
The RLV lockshield valves can be preset to limit the max. water flow within the following setting area:

- RLV 10: $k_v = 1.8 \text{ m}^3/\text{h}$
- RLV 15: $k_v = 2.5 \text{ m}^3/\text{h}$
- RLV 20: $k_v = 3.0 \text{ m}^3/\text{h}$

Factory setting is fully open valve. Dimensions correspond to DIN 3842-1.

Accessories for RLV:

- a drain tap for draining or filling the water in the radiator,
- a brass handwheel: a tool which is used when radiators with RLV lockshield valves are removed.



Ordering and data

Type	Code no. nickel plated	Code no. plain brass	Connections ISO 7-1		Flow limitation: k_v -values (m^3/h) for no. of turns										Max. working press.	Test press.	Max. water temp.	
			Syst.	Rad.	0.25	0.5	0.75	1	1.5	2	2.5	3	3.5	4				k_{vs}
DN 10 angle	003L0141	003L0131	3/8	3/8	0.15	0.35	0.45	0.6	0.9	1.2	1.5	1.6	1.7	1.8	1.8	10	16	120
DN 10 straight	003L0142	003L0132																
DN 15 angle	003L0143	003L0133	1/2	1/2	0.2	0.4	0.5	0.65	1.0	1.3	1.7	1.9	2.1	2.3	2.5			
DN 15 straight	003L0144	003L0134																
DN 20 angle	003L0145	003L0135	3/4	3/4	0.2	0.4	0.6	0.8	1.3	1.8	2.2	2.4	2.6	2.8	3.0			
DN 20 straight	003L0146	003L0136																

¹⁾ RLV can be connected to PEX, Alupex, steel or copper tubings by Danfoss compression fittings.

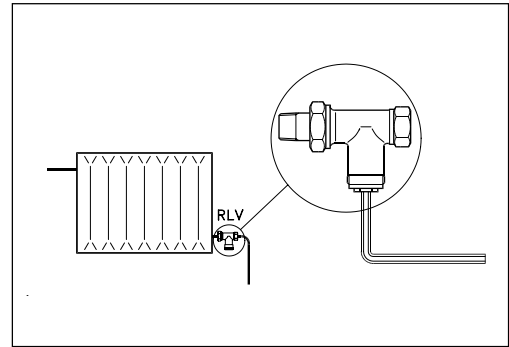
Accessories

Product	Code no.
Drain tap with 3/4" hose nozzle	003L0152
Brass handwheel: Replaces the thermostat temporarily when the radiator is drained	013G3300

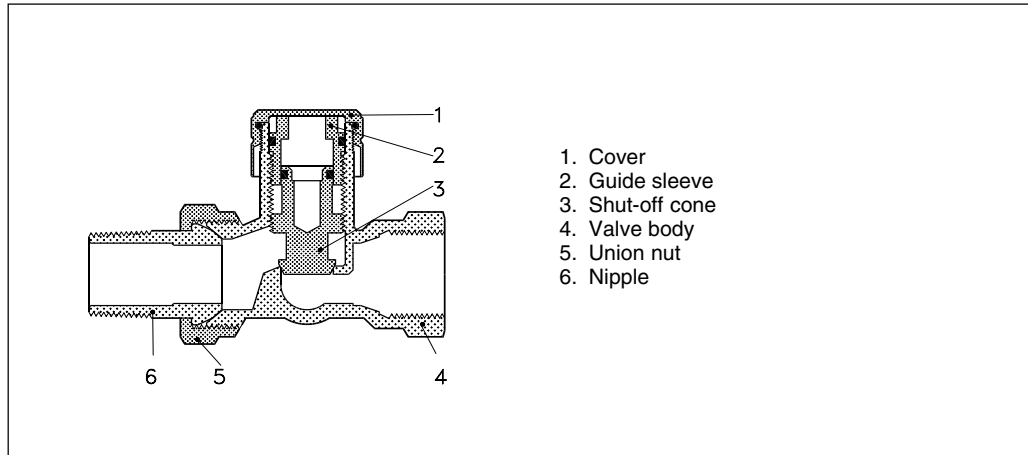
Setting and regulation

Setting of max. water flow:

- Close the valve by means of a 6 mm Allen key.
- Regulate the water flow by opening the valve. The capacity diagrammes on the opposite page show the water flow at $\frac{1}{4}$ - 4 turns and for fully open valve (k_{vs}).



Construction

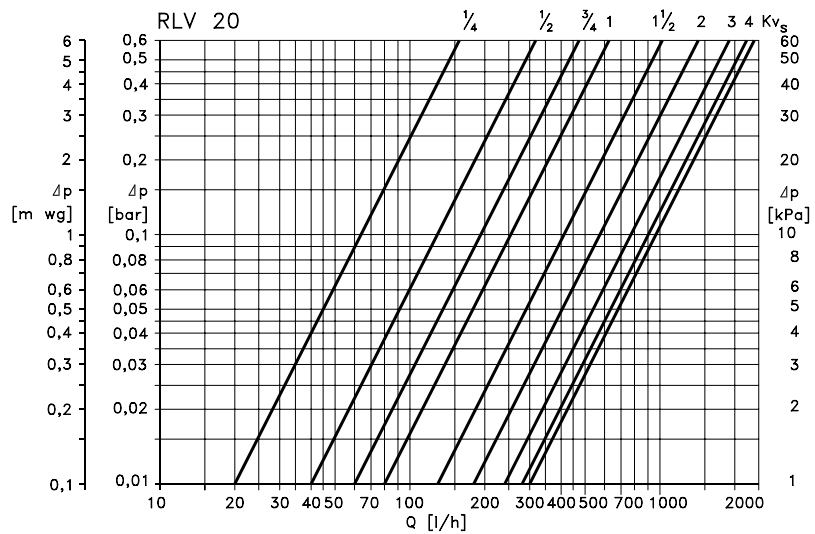
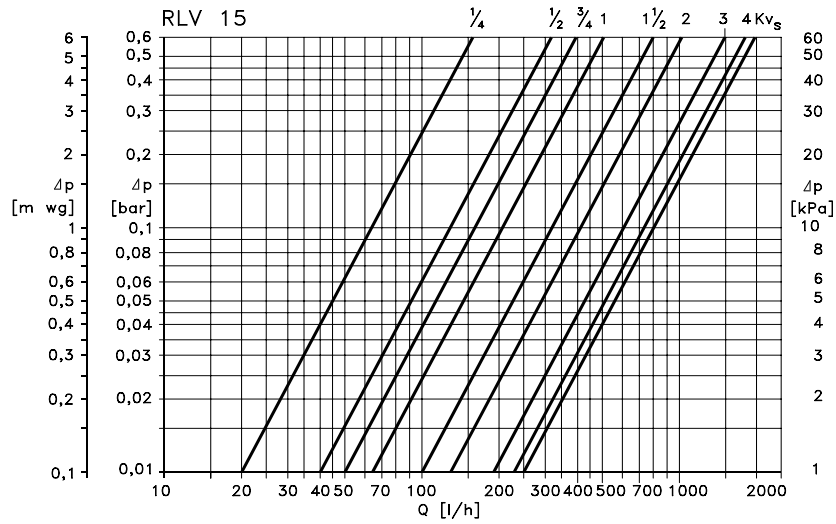
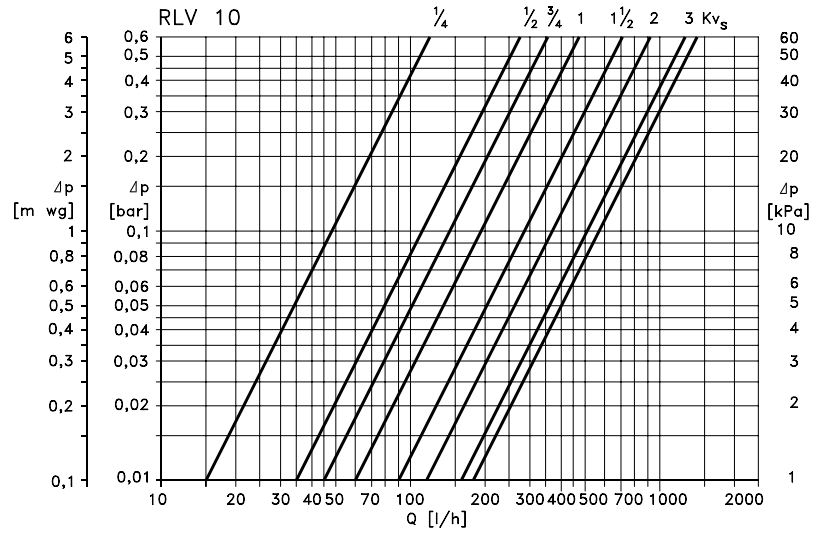


1. Cover
2. Guide sleeve
3. Shut-off cone
4. Valve body
5. Union nut
6. Nipple

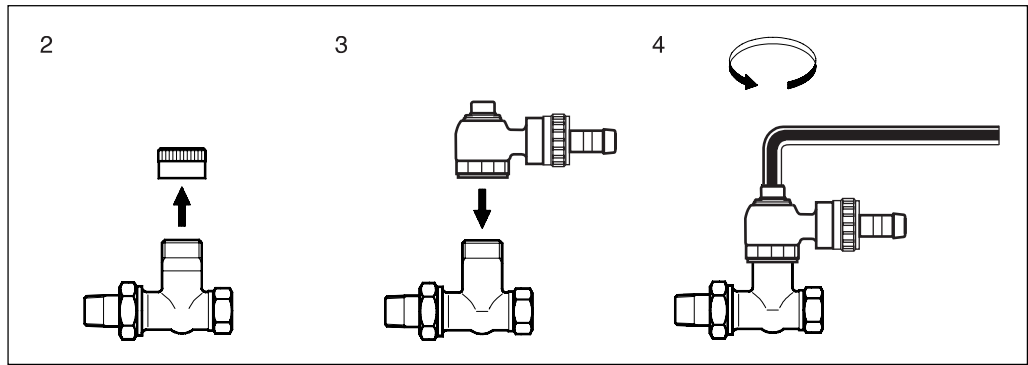
Material in contact with water

Valve body and other metal parts	Ms 58
O-ring	EPDM

Capacity



Mounting

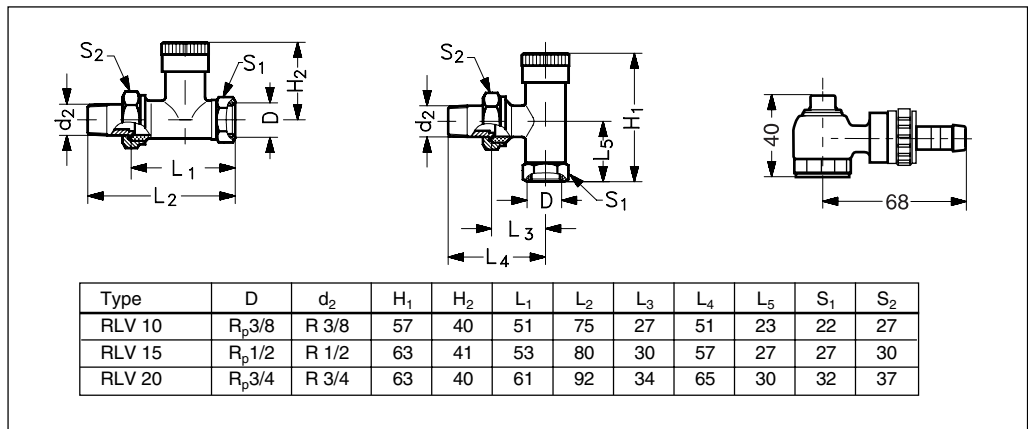


RLV
RLV is intended for mounting on the outlet of the radiator. To enable subsequent draining of the radiator water, the lockshield valve should be mounted with its cover towards the front.

Drain tap
For mounting and operation of the drain tap, the following procedure is recommended:

1. Shut off the radiator inlet valve. As a safety precaution the thermostatic operator should be replaced by a Danfoss manual shut off handle, code no. 013G3300.
2. Remove the cover and shut off the valve.
3. Mount the drain tap and align the drain branch, which can revolve in any direction.
4. Open valve for draining by means of a 6 mm Allen key.

Dimensions



Danfoss can accept no responsibility for possible errors in catalogues, brochures and other printed material. Danfoss reserves the right to alter its products without notice. This also applies to products already on order provided that such alterations can be made without subsequential changes being necessary in specifications already agreed. All trademarks in this material are property of the respective companies. Danfoss and the Danfoss logotype are trademarks of Danfoss A/S. All rights reserved.