



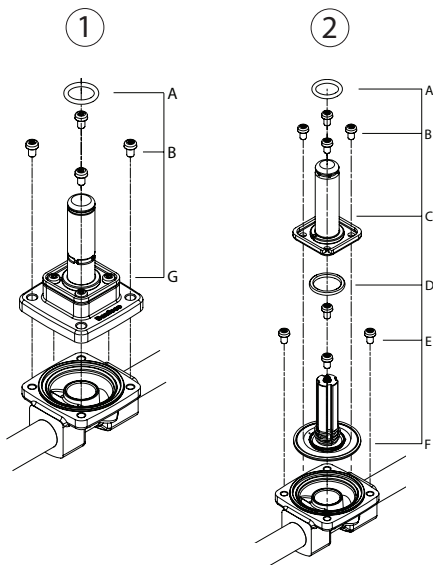
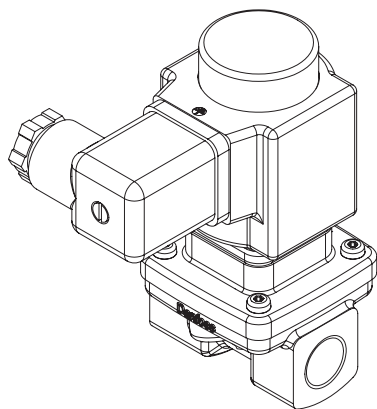
Installation guide - Spare parts and accessories

Solenoid valve - Spare part

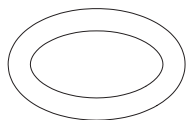
Type EV250B/BW

132R9103

132R9103

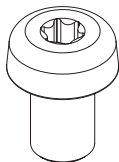


A



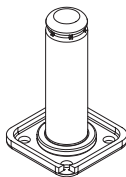
Total pcs. = 1

B



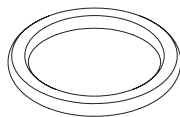
Total pcs. = 4

C



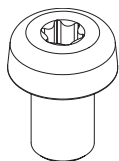
Total pcs. = 1

D



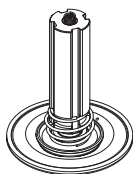
Total pcs. = 1

E



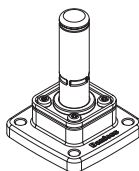
Total pcs. = 4

F

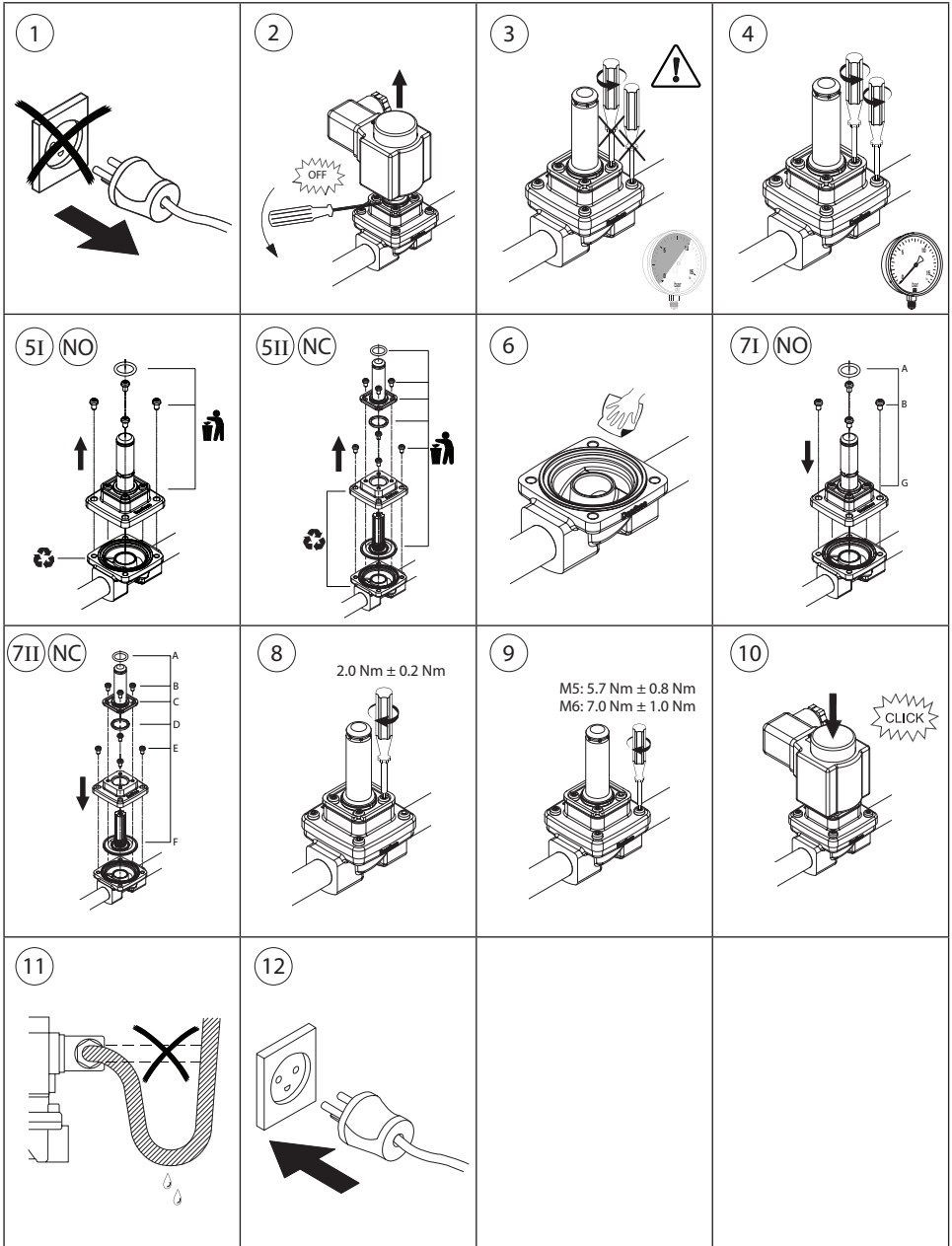


Total pcs. = 1

G



Total pcs. = 1



Visit www.products.danfoss.com for further technical data
 Para más información, visite www.products.danfoss.es
 Rendez-vous sur le site www.products.danfoss.fr pour plus de données techniques