

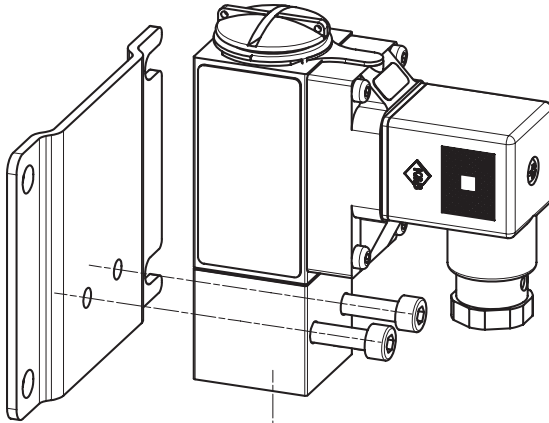
Installation guide

# Pressure switch

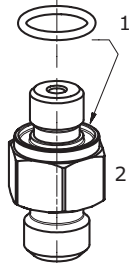
MBC 5100

061R9308

061R9308



Danfoss  
061B9010



\* In accessory bag there are provided 2 black o-rings (3). Only one o-ring is allowed to be used. The other is a spare part. Do not use two o-rings in one connection.

Place one black o-ring (3) on application connector (4) and screw together with adaptor (2). Do not push o-ring into adaptor.

