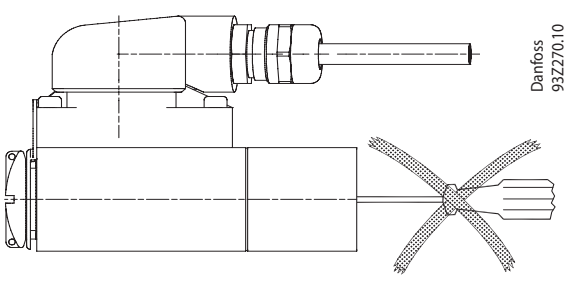
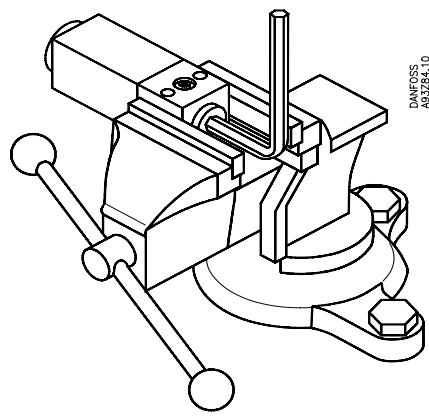


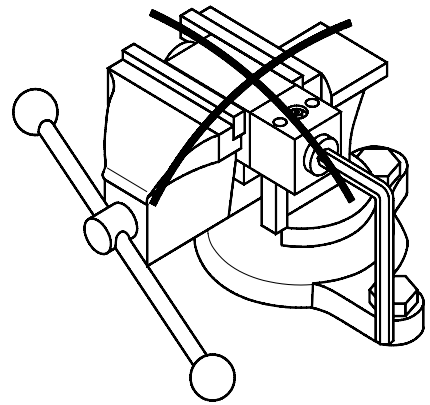
Danfoss
93Z269.10



Danfoss
93Z270.10



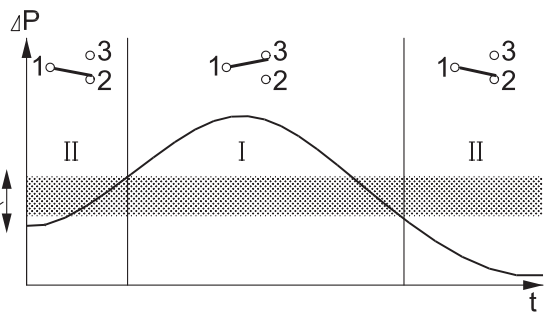
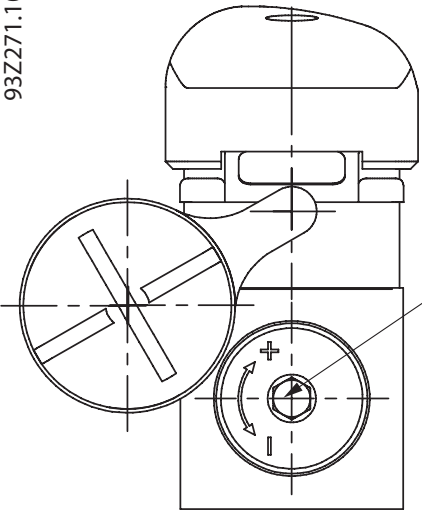
DANFOSS
93Z284.10



DANFOSS
93Z285.10

Operation temperature	-40 °C – 85 °C	Bellows and piston version	One full turn (360°) of the MBC setting screw is approx. equal to 7% of the full setting range.
	-10 °C – 85 °C	Diaphragm version	

Danfoss
93Z271.10



Mechanical differential