

Installation guide

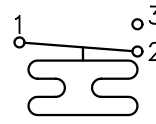
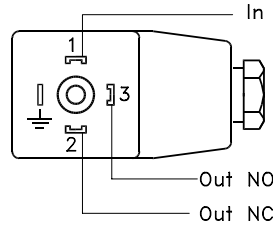
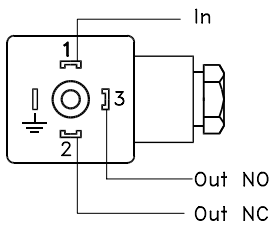
Pressure control

Type MBC 5000

061R9314

061R9314

Electrical connection



- 1: Input
- 2: Normally closed (NC)
- 3: Normally open (NO)
- Connected to enclosure of pressure control

DANFOSS
A93Z19.10.11.02

Attention:

Use only the accompanying plug, also when replacing.

Contact load

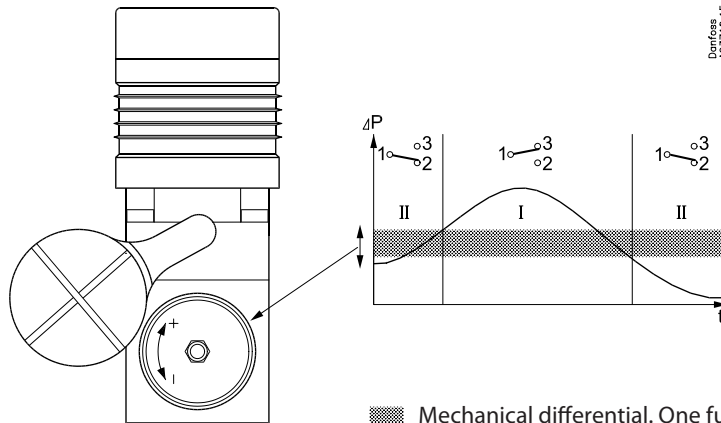
2.9 FLA/17.4 LRA 240AC/60Hz
Pilot duty 278VA 240VAC/60Hz



Caution:

Disconnect power supply before wiring connections are made to avoid possible electrical shock or damage to equipment. All wiring should conform to the National Electrical Code and local regulations.

Adjustment

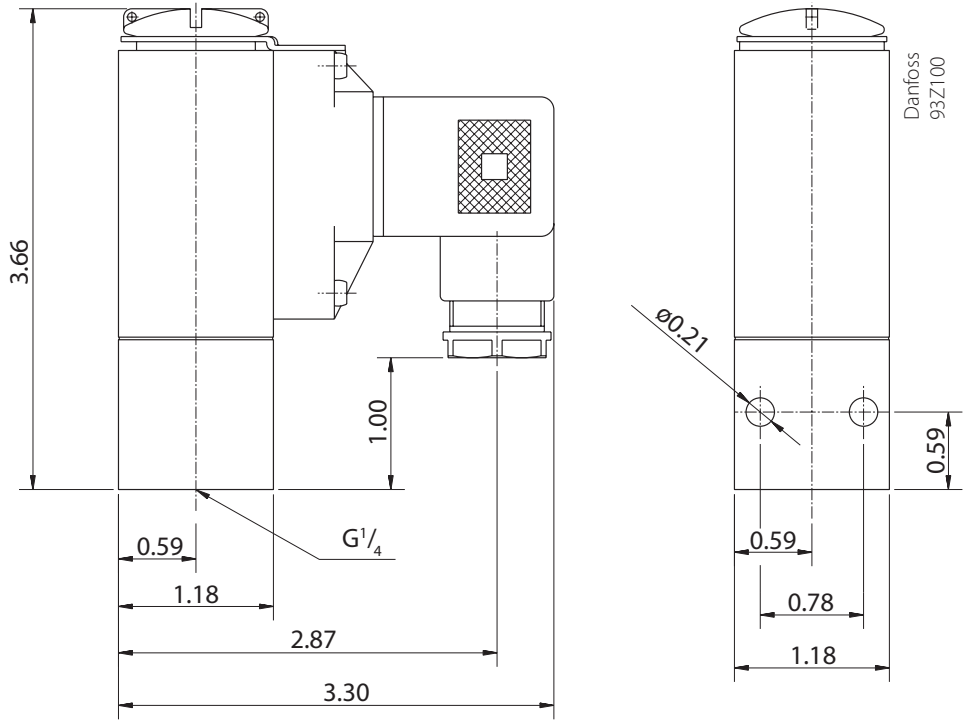


Mechanical differential. One full turn (360°) of the MBC setting-screw is approx. equal to 7% of the full setting range.

Operation temperature	Piston version: -40 – 140 °F Diaphragm version: 14 – 140 °F
Maximum media temperature	185 °F

Type	Range	Permissible operating pressure	Code no
High pressure diaphragm	73 – 580 psi	1088 psi	061B301666
High pressure piston	232 – 2320 psi	4350 psi	061B503266

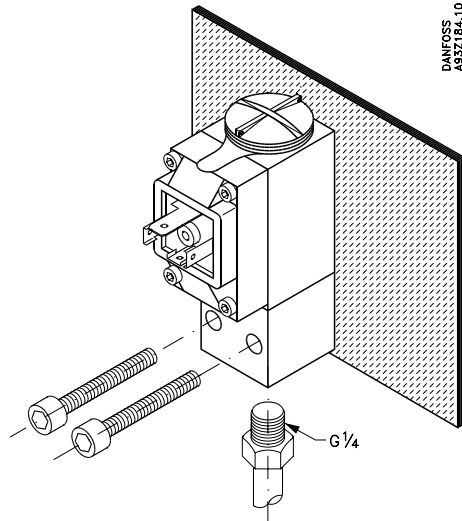
Dimensions [in]



Mounting and pressure connection

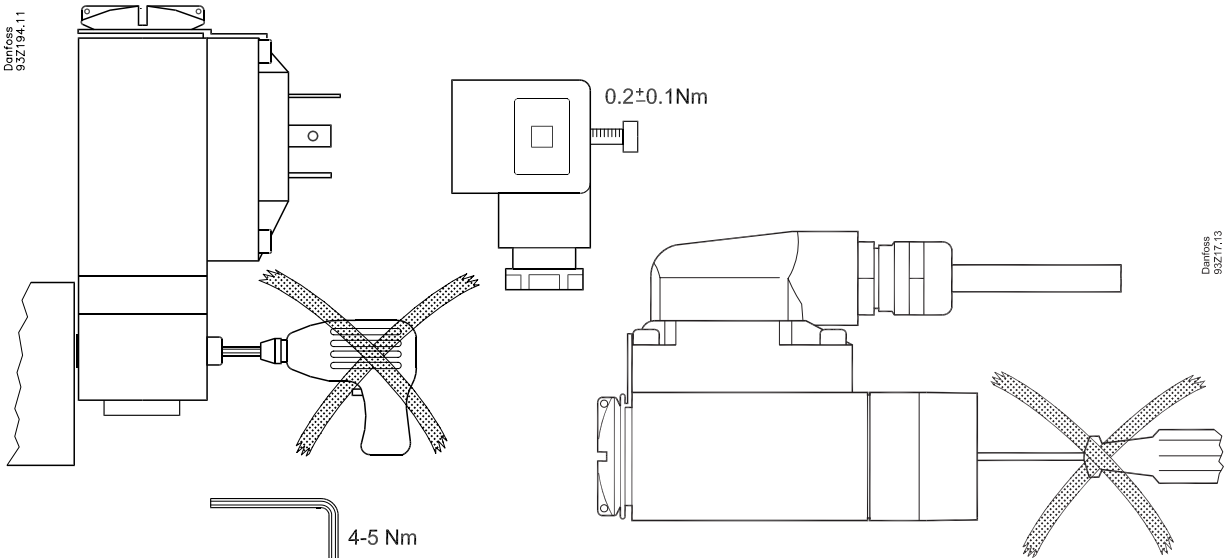


Caution:
MBC 5000 pressure switches should be installed in the way that will ensure that the unit will be not subjected to impact.



Note

Danfoss
93Z194-11



Danfoss
93Z17-13