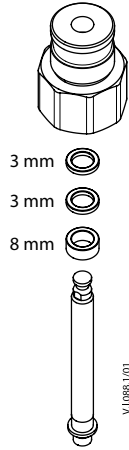




Installation Guide

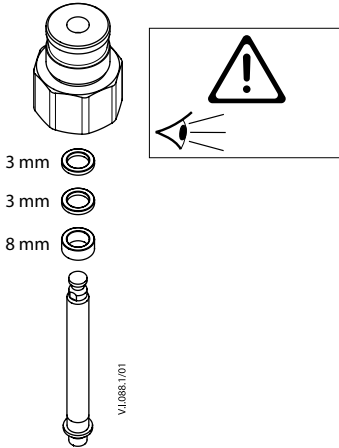
Adapter VFG(S), VFU, VFQ, AFT, AFQM

	□ 9 mm
	□ 46 mm

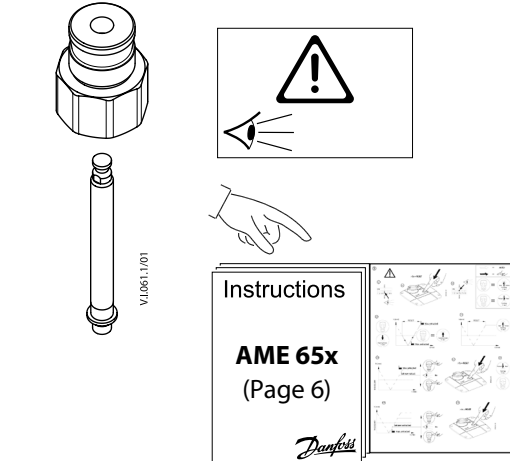


Code No. - 065B3527

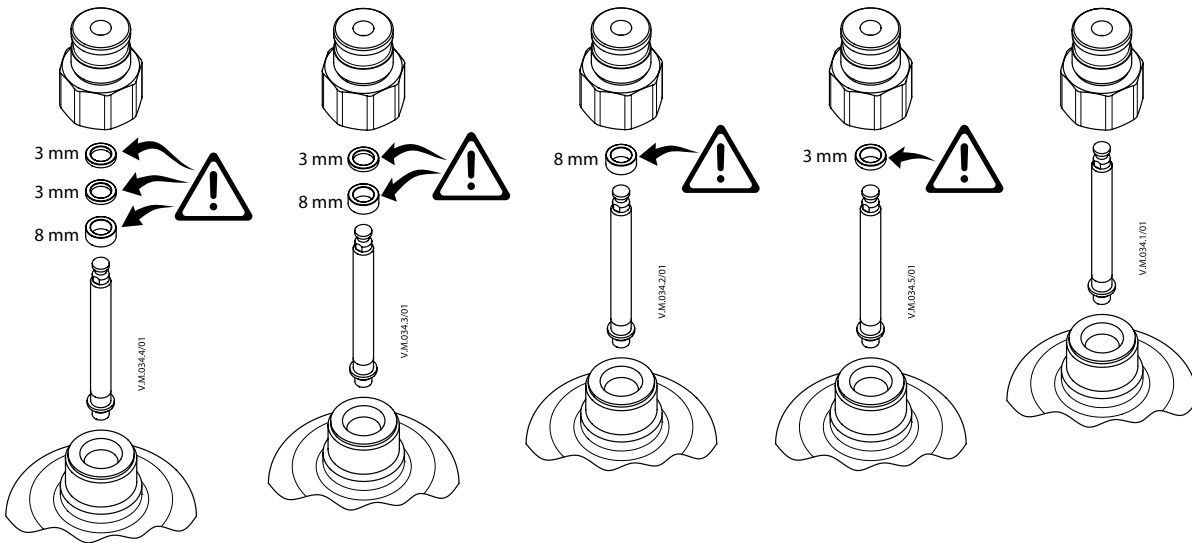
With mechanical stroke limitation AMV(E) 65x, 55/56



With electrical stroke limitation AME 65x



For actuator AMV(E) 65x, 55/56



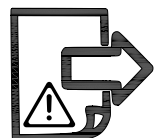
Type	DN
VFG 2	15-25
VFG 21	
VFGS 2	
VFU 2	
VFU 21	
VFQ 2	
VFQ 21	
/	/

Type	DN
VFG 2	32-40
VFG 21	
VFGS 2	
VFU 2	
VFU 21	25-32
VFQ 2	
VFQ 21	
VFG 33	40-50
VFG 34	

Type	DN
VFG 2	50-65
VFG 21	
VFGS 2	
VFU 2	
VFU 21	
VFQ 2	65-80
VFQ 21	
VFG 33	
VFG 34	100-125

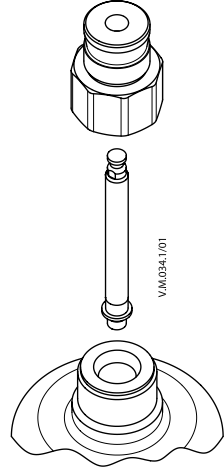
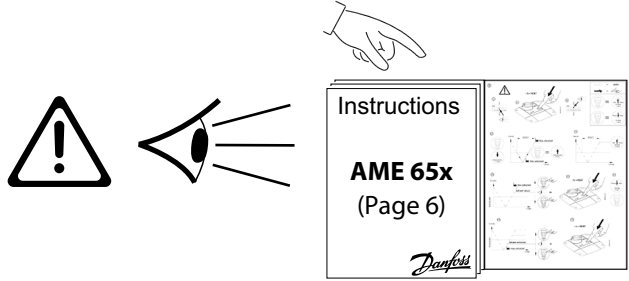
Type	DN
/	/
VFG 33	65-80
VFG 34	

Type	DN
VFG 2	80-125
VFG 21	
VFGS 2	
VFU 2	
VFU 21	
VFQ 2	100-125
VFQ 21	
VFG 33	
VFG 34	100-125



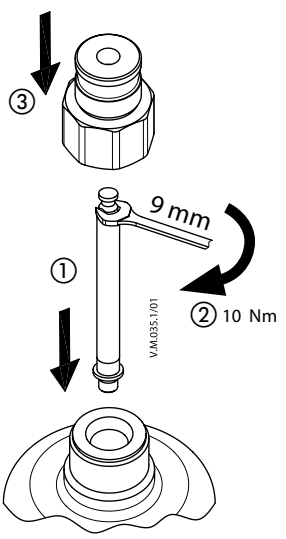
Installation Guide Adapter VFG(S), VFU, VFQ, AFT, AFQM

2 For actuator AME 65x



Type	DN
VFG 2	15-125
VFG 21	
VFGS 2	
VFU 2	
VFU 21	
VFG 2	25-125
VFQ 21	
VFG 33	
VFG 34	

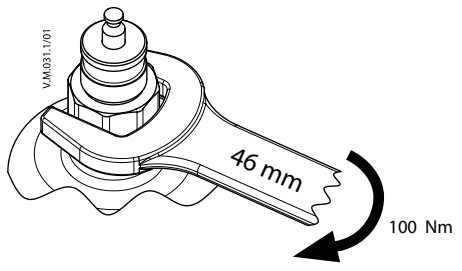
3 For AMV(E) 65x , 55/56



Type	DN
VFG 2	150-250
VFQ 2	
VFQ 21	
VFG 21	
VFGS 2	
AFQM PN25 ¹⁾	50-125
AFQM 6 ¹⁾	40-50

¹⁾ not applicable for valves produced after March 2015

4 For AMV(E) 65x , 55/56



Danfoss can accept no responsibility for possible errors in catalogues, brochures and other printed material. Danfoss reserves the right to alter its products without notice. This also applies to products already on order provided that such alterations can be made without subsequential changes being necessary in specifications already agreed. All trademarks in this material are property of the respective companies. Danfoss and the Danfoss logotype are trademarks of Danfoss A/S. All rights reserved.