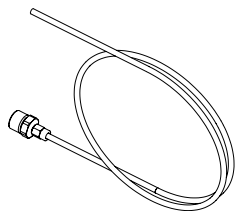





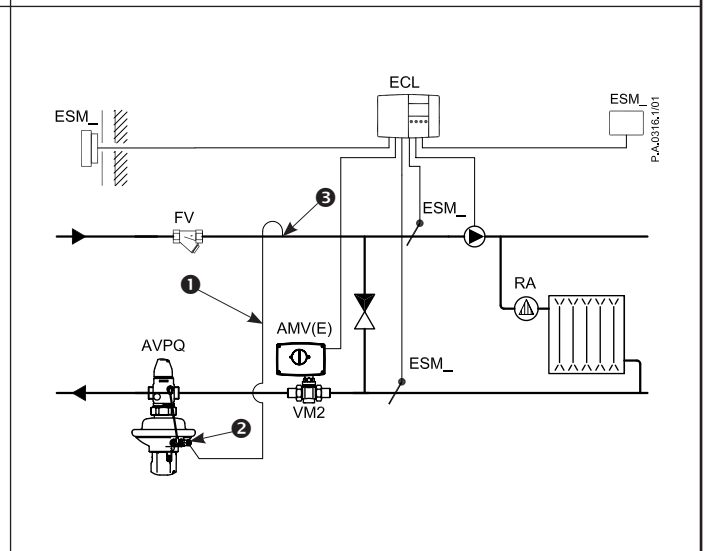
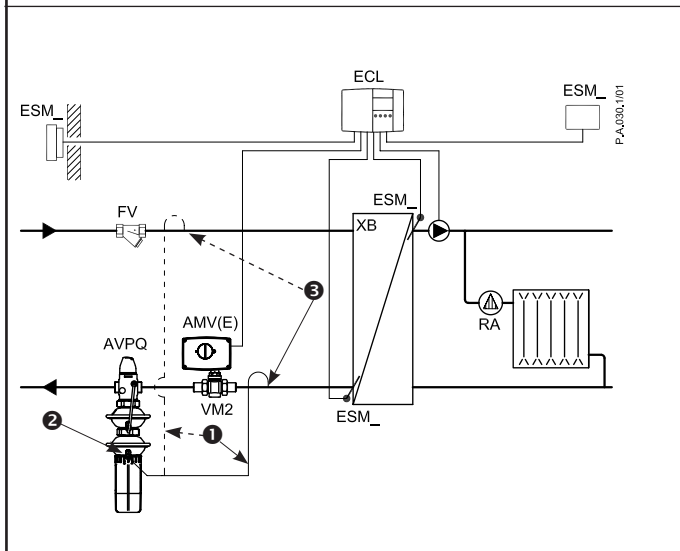
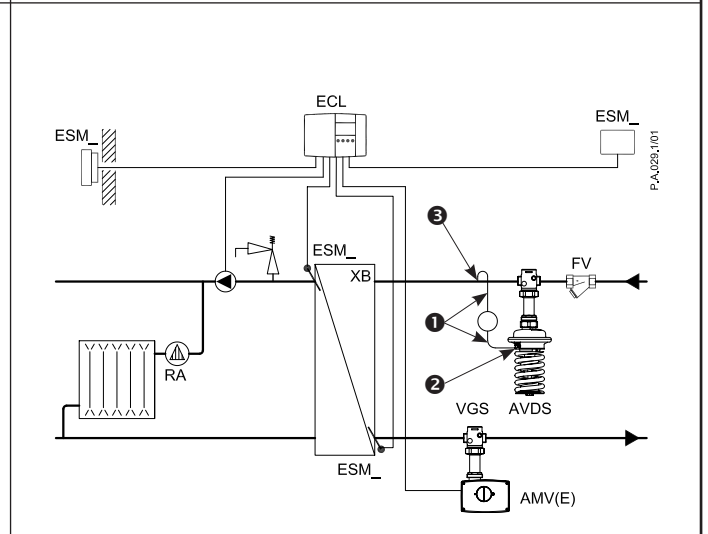
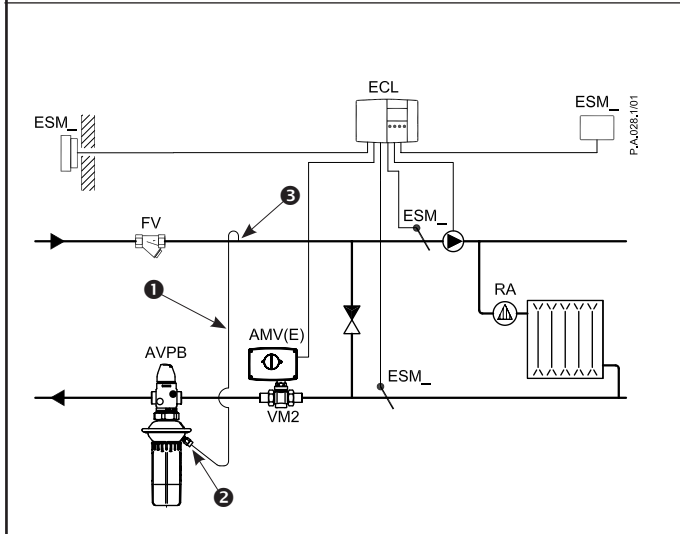
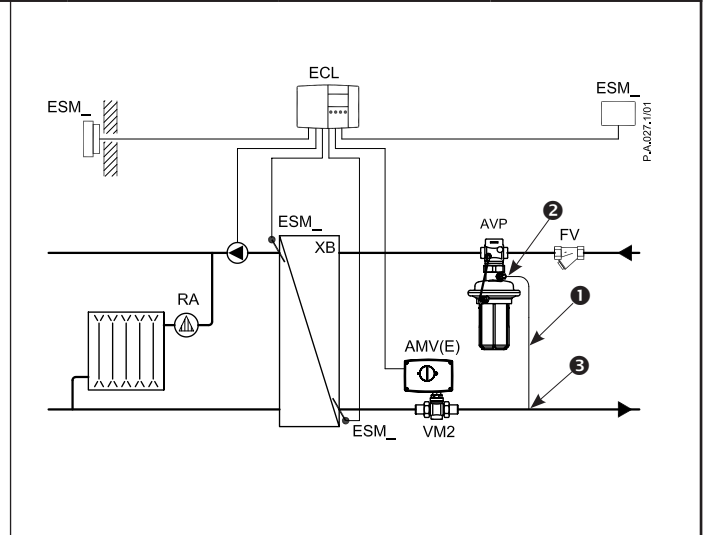
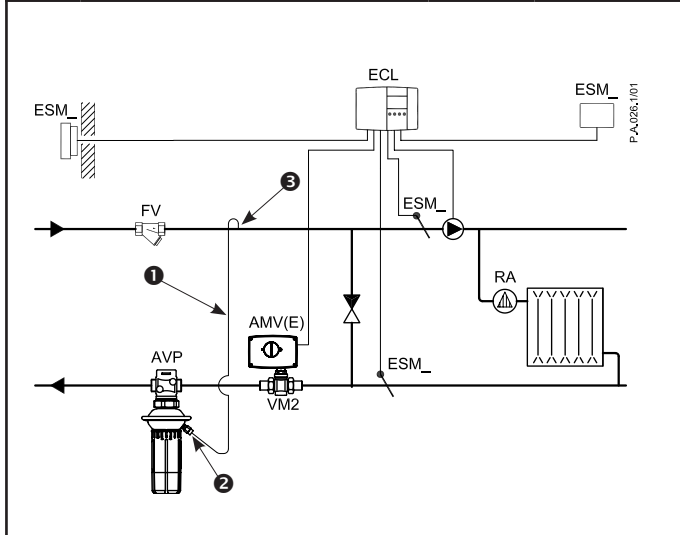


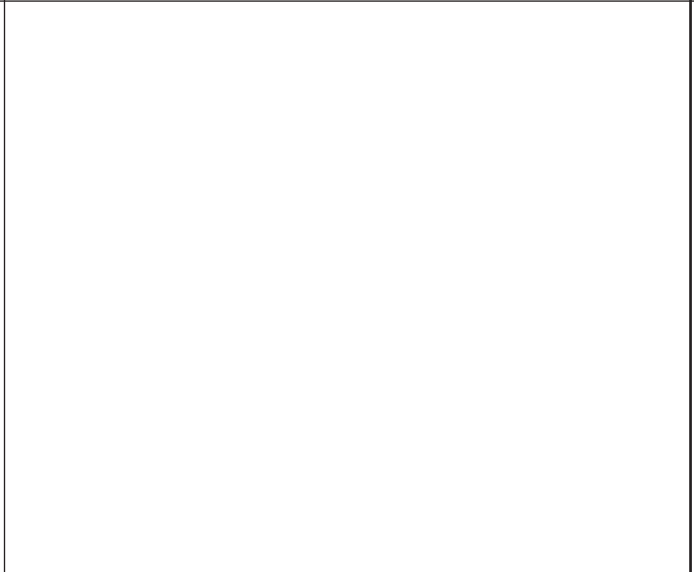
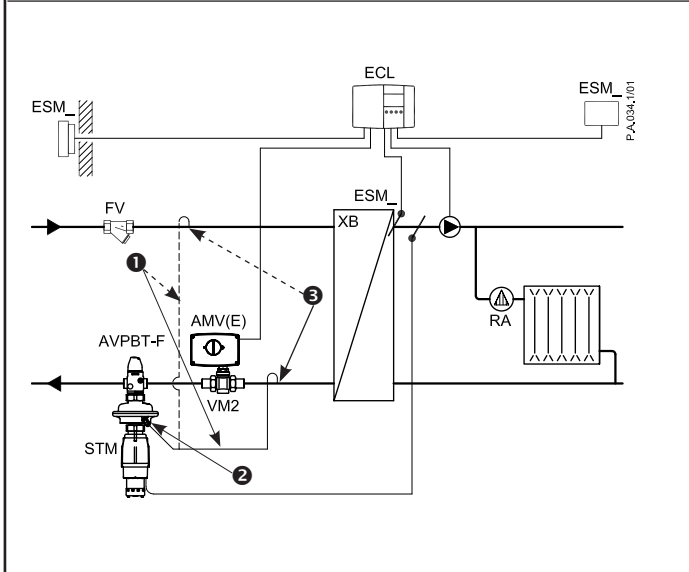
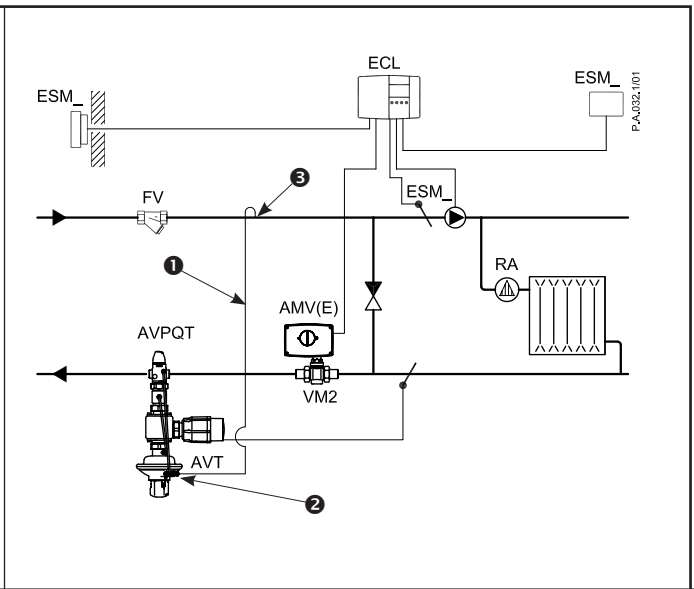
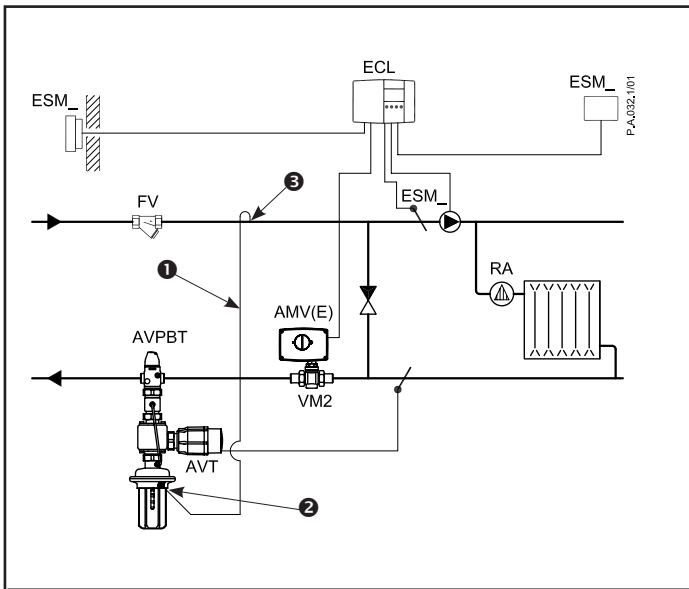
Instructions

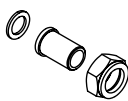
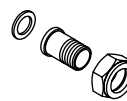

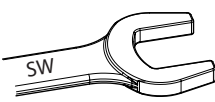
Accessories – Catalogue

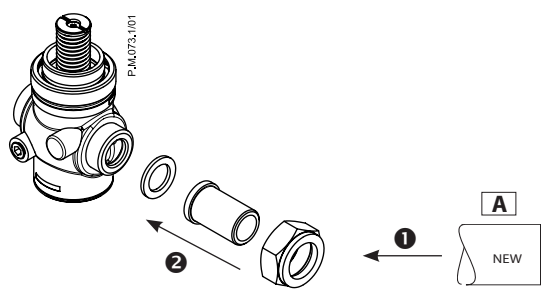
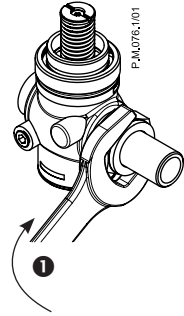
2	①		R 1/8	003H6852		SW 12 (14 Nm)	SW 10																		
			R 3/8	003H6853		SW 12 (14 Nm)	SW 17																		
			R 1/2	003H6854		SW 12 (14 Nm)	SW 22																		
			-	003H6860		SW 12 (14 Nm)	SW 12 (14 Nm)																		
	②		G 1/8	003H6931		SW 12 (14 Nm)	SW 14																		
				003H6932																					
	③		R 1/8	003H6857		SW 12 (14 Nm)	SW 10																		
			R 3/8	003H6858		SW 12 (14 Nm)	SW 17																		
			R 1/2	003H6859		SW 12 (14 Nm)	SW 22																		
	4	A		<table border="1"> <thead> <tr> <th>DN (mm)</th> <th>EN 10226-1</th> </tr> </thead> <tbody> <tr> <td>15</td> <td>G 3/4</td> </tr> <tr> <td>20</td> <td>G 1</td> </tr> <tr> <td>25</td> <td>G 1 1/4</td> </tr> <tr> <td>32</td> <td>G 1 3/4</td> </tr> </tbody> </table>		DN (mm)	EN 10226-1	15	G 3/4	20	G 1	25	G 1 1/4	32	G 1 3/4	<table border="1"> <thead> <tr> <th>DN (mm)</th> <th>SW (mm)</th> </tr> </thead> <tbody> <tr> <td>15</td> <td>32</td> </tr> <tr> <td>20</td> <td>41</td> </tr> <tr> <td>25</td> <td>50</td> </tr> <tr> <td>32</td> <td>63</td> </tr> </tbody> </table>	DN (mm)	SW (mm)	15	32	20	41	25	50	32
DN (mm)		EN 10226-1																							
15		G 3/4																							
20	G 1																								
25	G 1 1/4																								
32	G 1 3/4																								
DN (mm)	SW (mm)																								
15	32																								
20	41																								
25	50																								
32	63																								
B																									
C																									
5						35 Nm																			
								14 Nm																	
7						14 Nm																			
8						35 Nm																			
								25 Nm																	

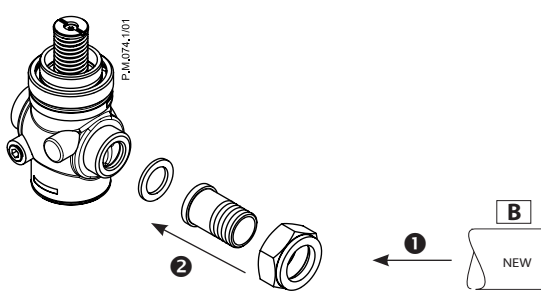
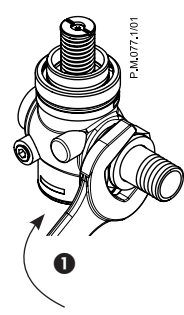
1		R 1/8	003H6852		SW 12 (14 Nm)	SW 10
		R 3/8	003H6853		SW 12 (14 Nm)	SW 17
		R 1/2	003H6854		SW 12 (14 Nm)	SW 22
		-	003H6860		SW 12 (14 Nm)	SW 12 (14 Nm)
2		G 1/8	003H6931		SW 12 (14 Nm)	SW 14
			003H6932			
3		R 1/8	003H6857		SW 12 (14 Nm)	SW 10
		R 3/8	003H6858		SW 12 (14 Nm)	SW 17
		R 1/2	003H6859		SW 12 (14 Nm)	SW 22

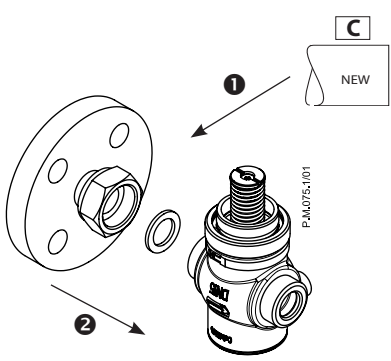
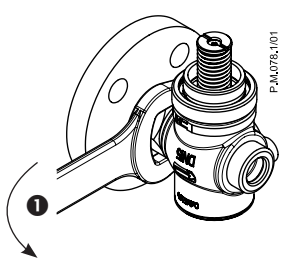


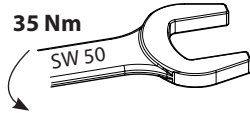
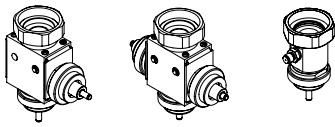


A	B		C																						
		<table border="1" style="margin: auto;"> <thead> <tr> <th>DN (mm)</th> <th>EN 10226-1</th> </tr> </thead> <tbody> <tr> <td>15</td> <td>G 3/4</td> </tr> <tr> <td>20</td> <td>G 1</td> </tr> <tr> <td>25</td> <td>G 1 1/4</td> </tr> <tr> <td>32</td> <td>G 1 3/4</td> </tr> </tbody> </table>	DN (mm)	EN 10226-1	15	G 3/4	20	G 1	25	G 1 1/4	32	G 1 3/4		<table border="1" style="margin: auto;"> <thead> <tr> <th>DN (mm)</th> <th>SW (mm)</th> </tr> </thead> <tbody> <tr> <td>15</td> <td>32</td> </tr> <tr> <td>20</td> <td>41</td> </tr> <tr> <td>25</td> <td>50</td> </tr> <tr> <td>32</td> <td>63</td> </tr> </tbody> </table>	DN (mm)	SW (mm)	15	32	20	41	25	50	32	63	
DN (mm)	EN 10226-1																								
15	G 3/4																								
20	G 1																								
25	G 1 1/4																								
32	G 1 3/4																								
DN (mm)	SW (mm)																								
15	32																								
20	41																								
25	50																								
32	63																								

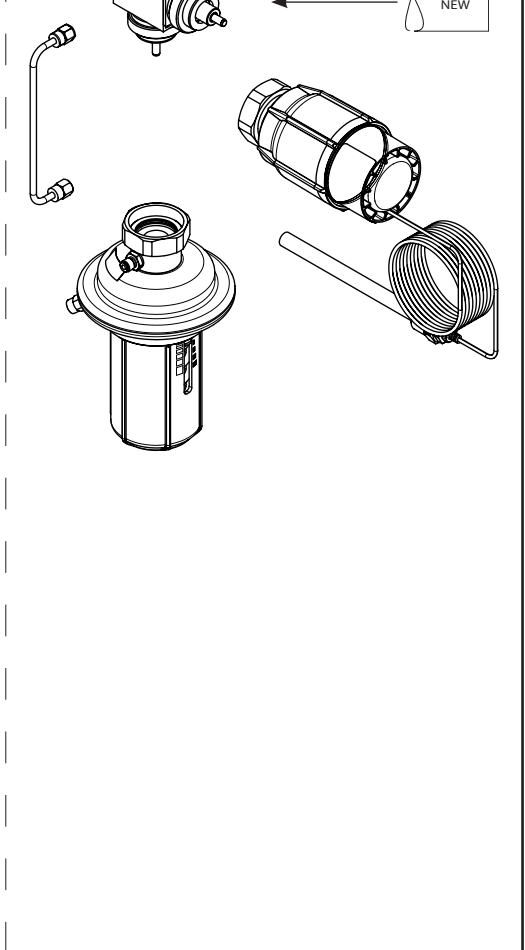
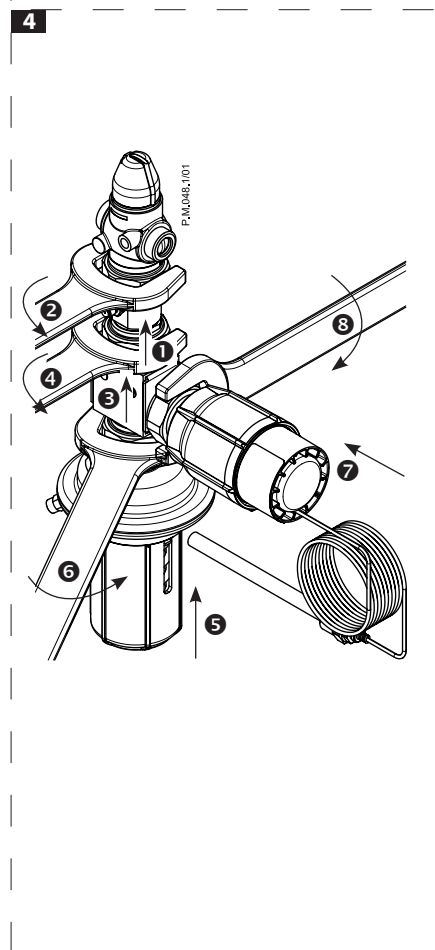
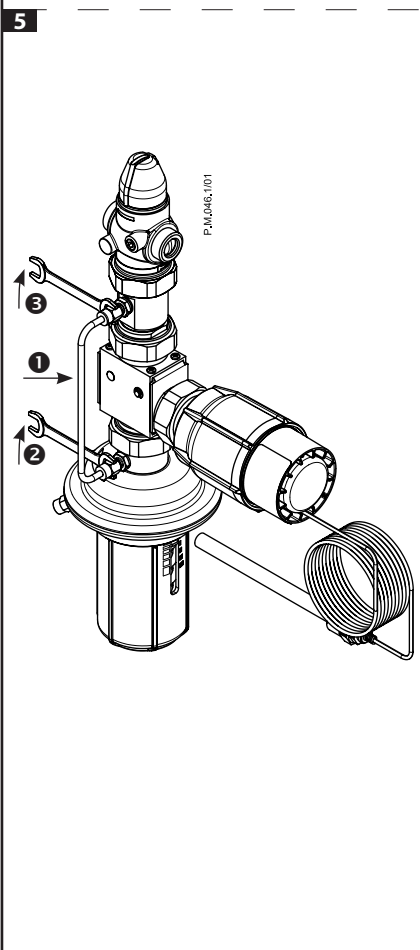
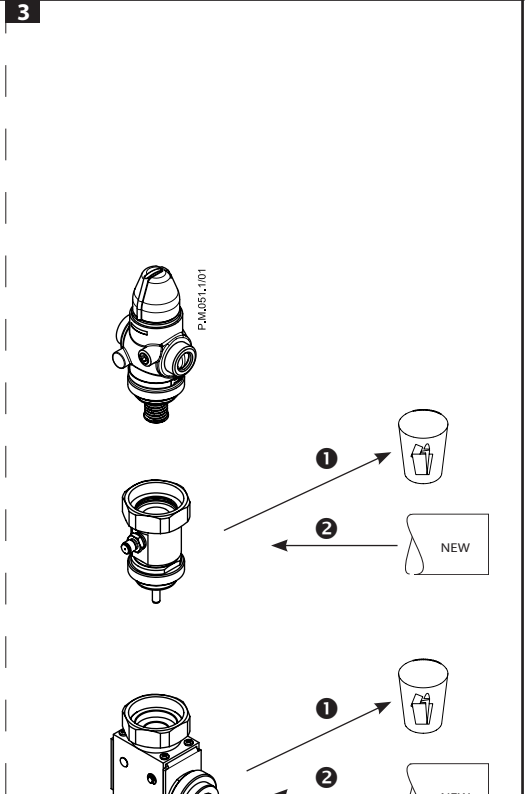
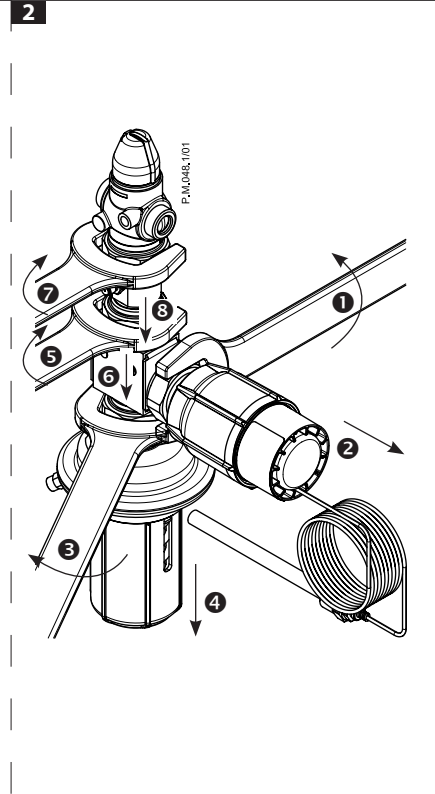
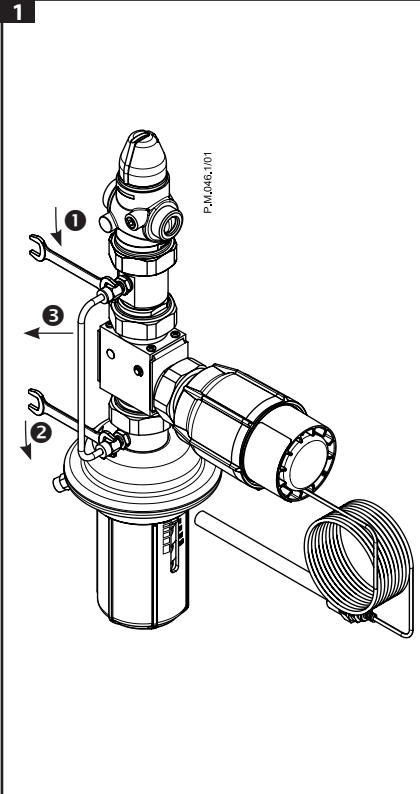
A	2
	

B	2
	

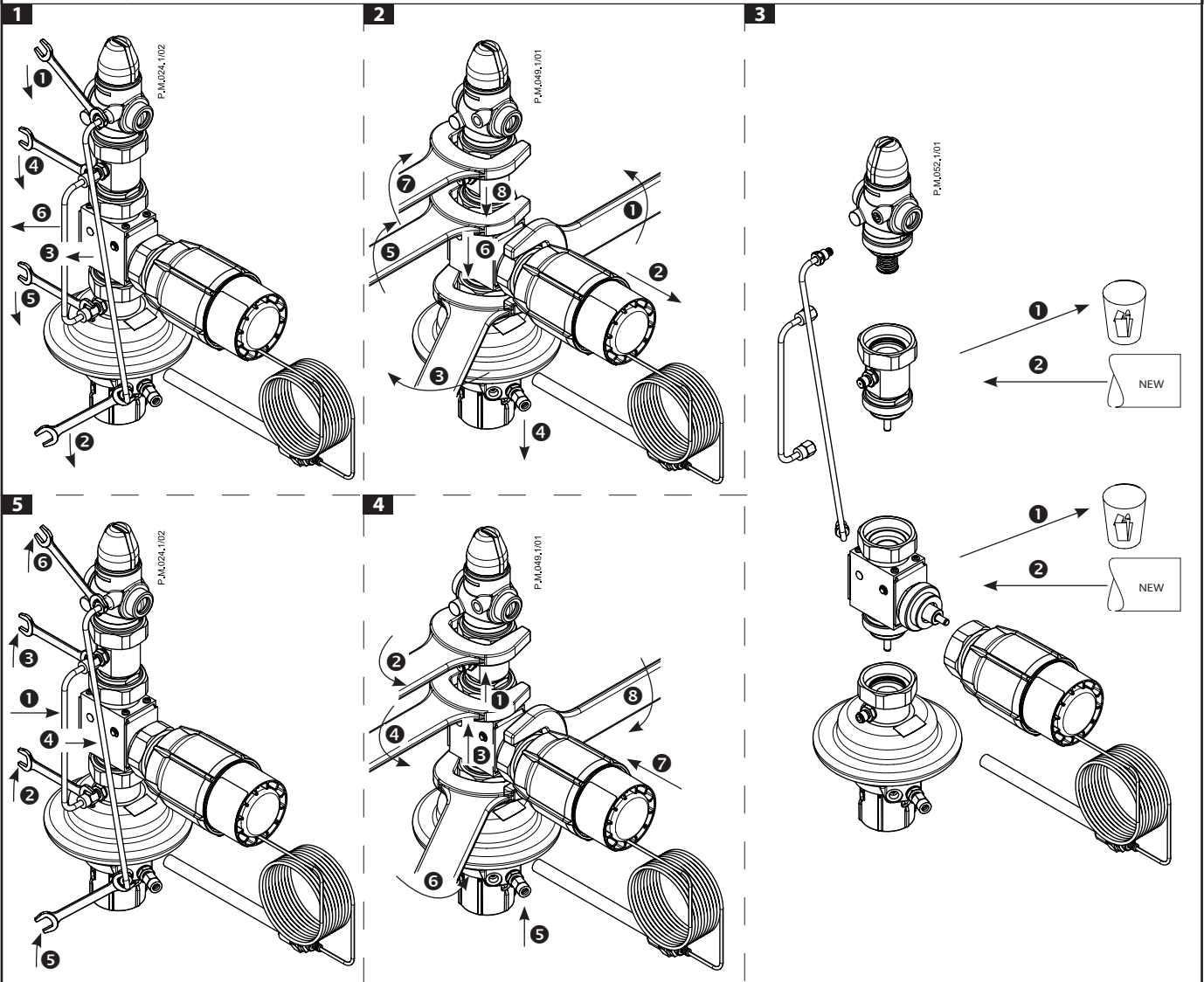
C	2
	



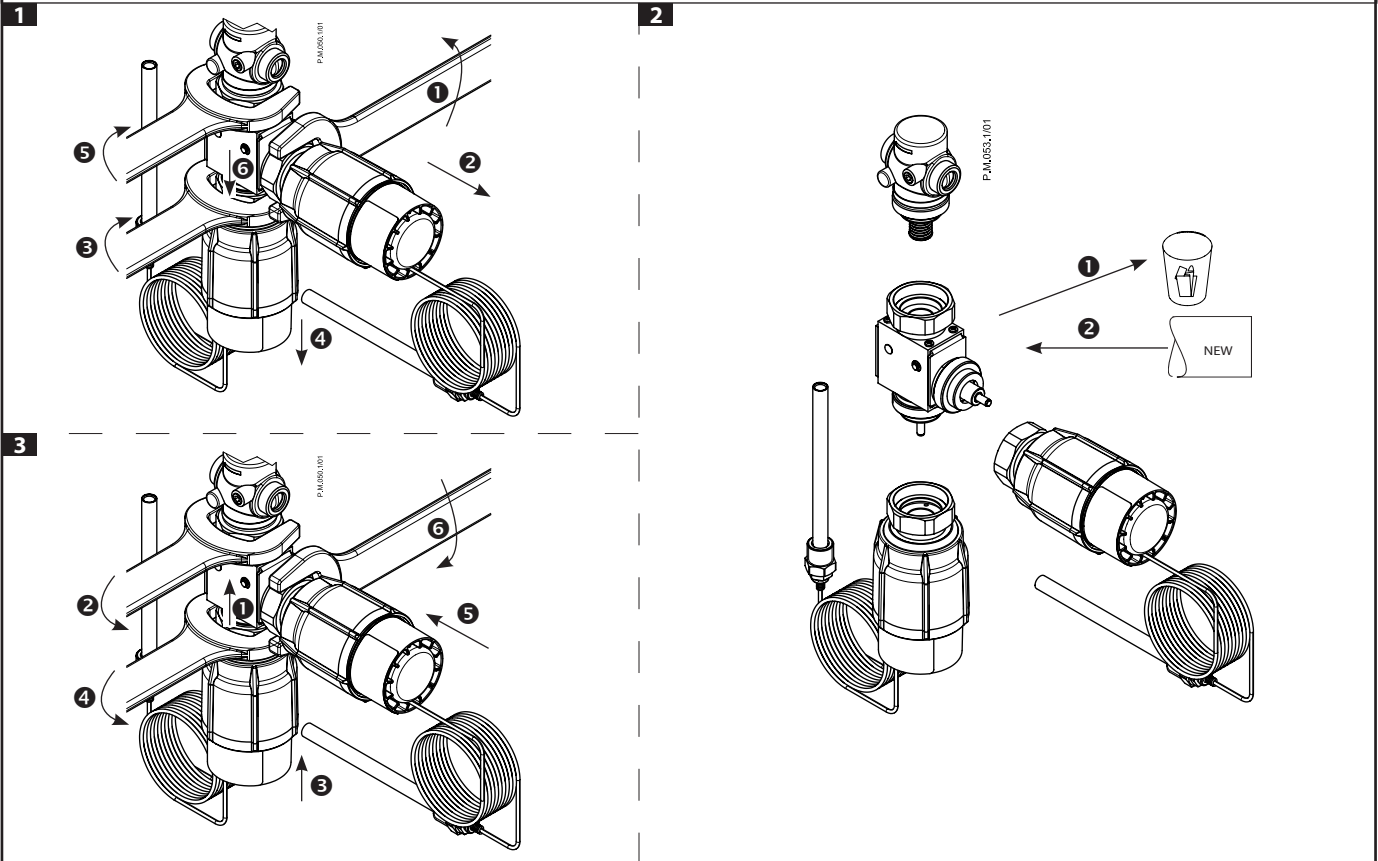
AVPBT/AVT, AVPBT/STM

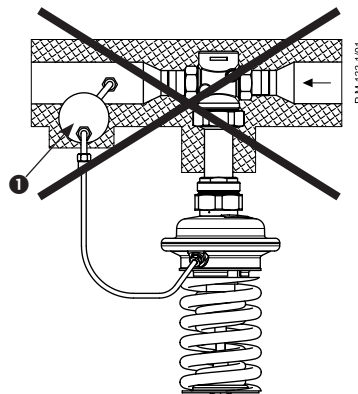
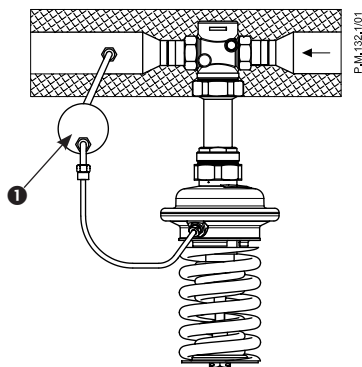
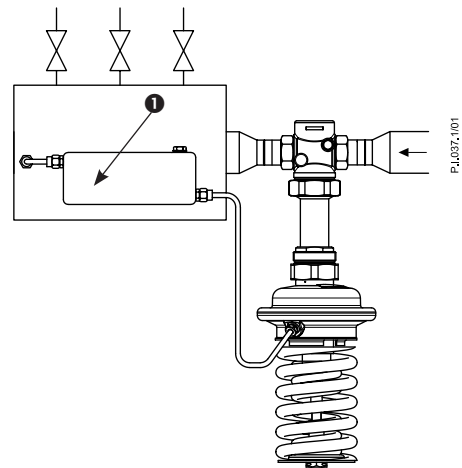
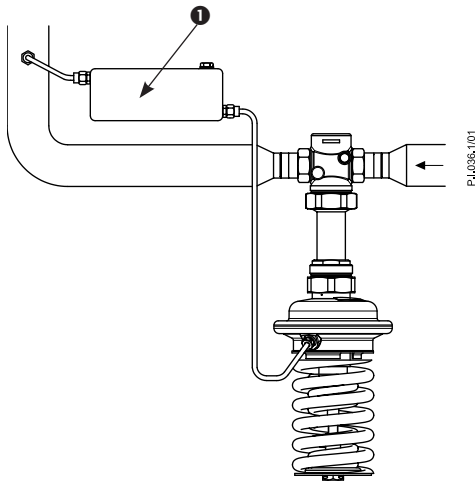
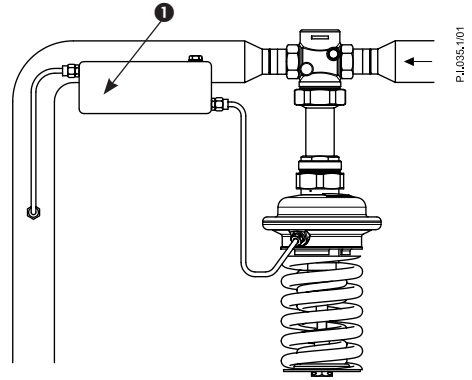
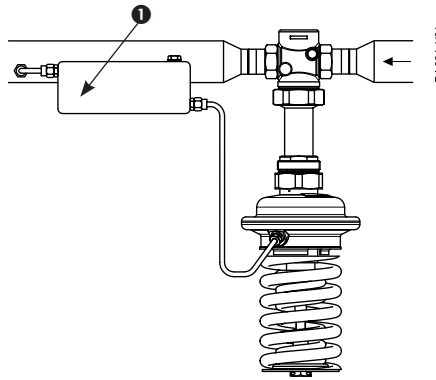
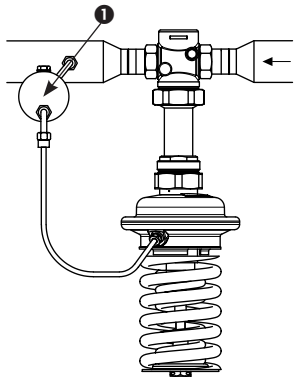
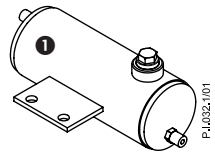


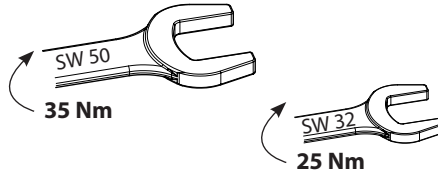
AVPQT/AVT, AVPQT/STM



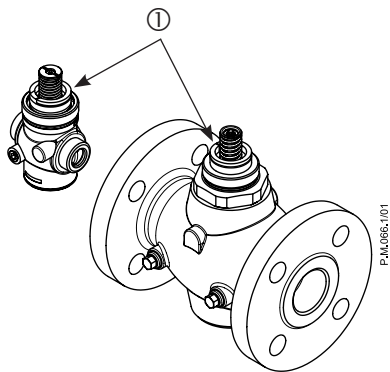
AVT/AVT/VG(F), AVT/AVT/VGS, STM/AVT/VG(F), STM/AVT/VGS



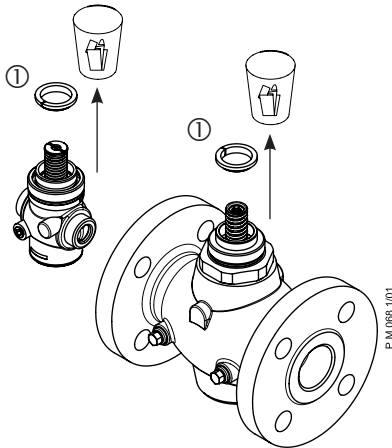




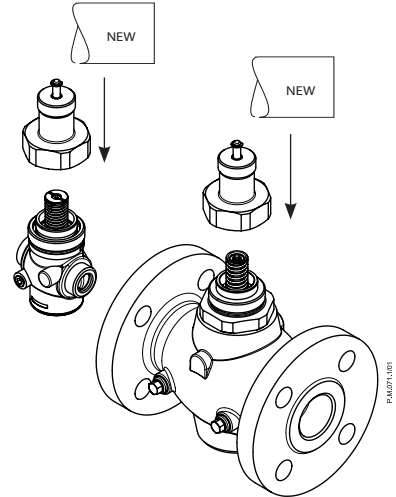
1



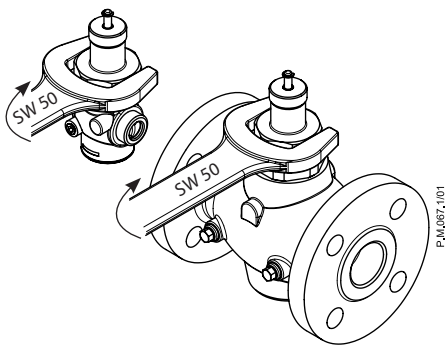
2



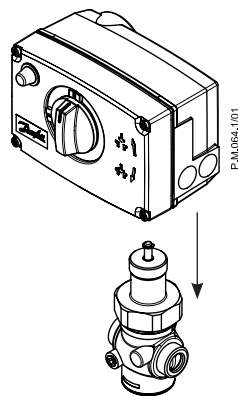
3



4



5



6

