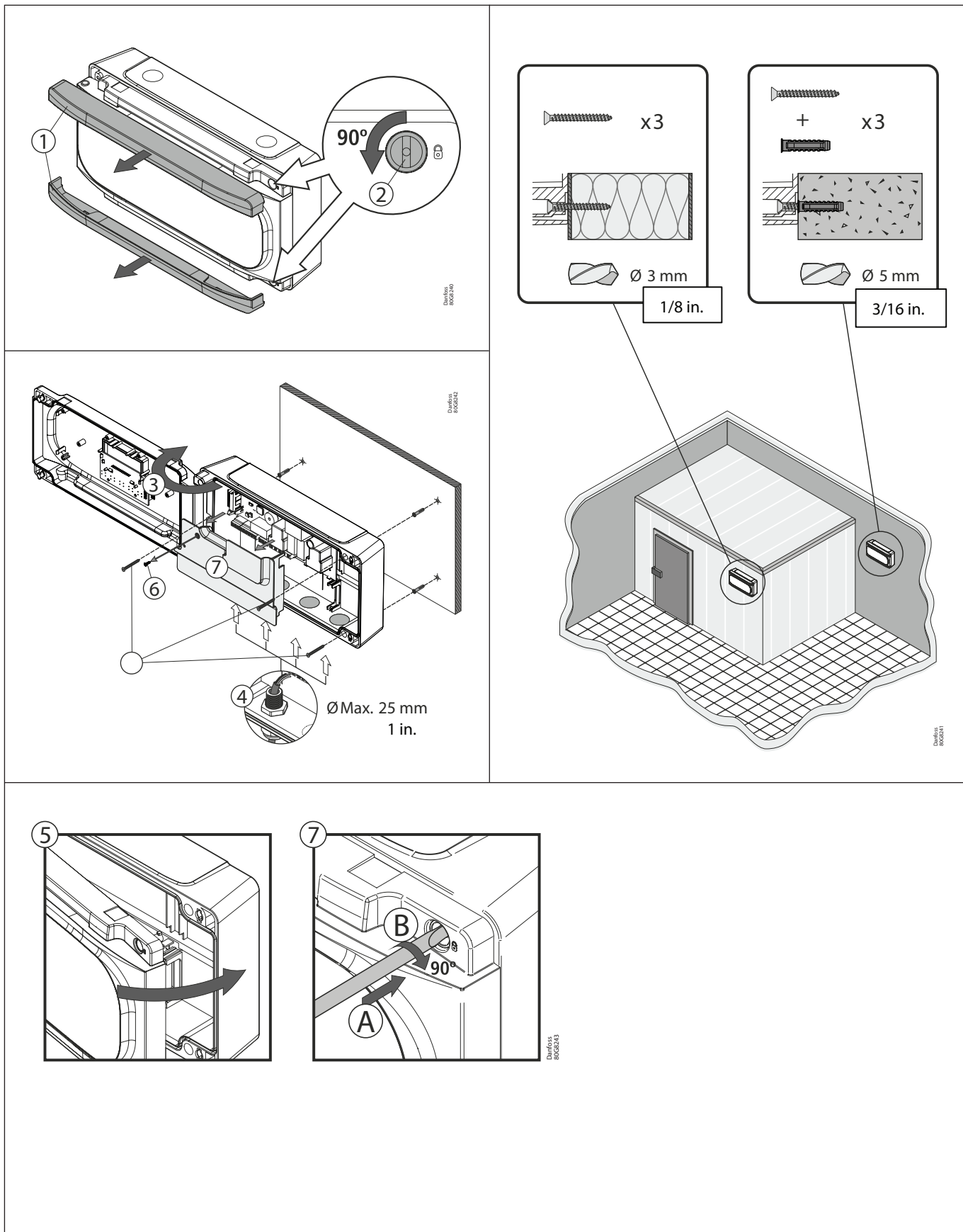
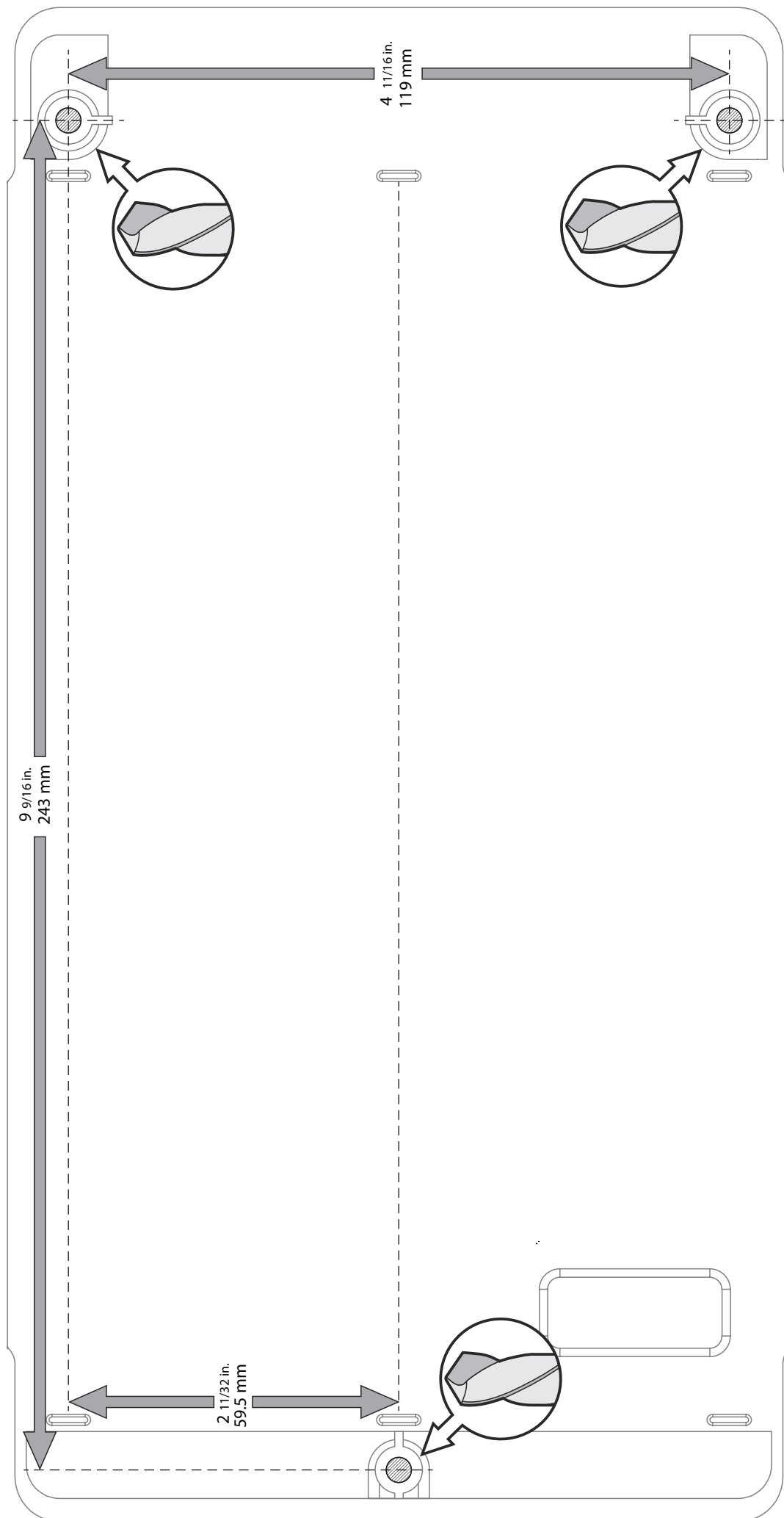


Installation Guide

**Optyma™ control**  
AK-RC Single Phase mounting kit





**Note:** Make sure your printer is set to ACTUAL SIZE when printing.