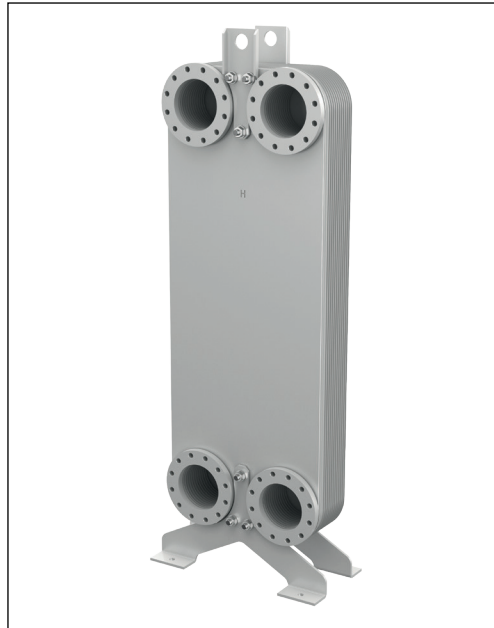




Data sheet

Micro Plate Heat Exchanger (MPHE): XB71

Description



Micro Plate Heat Exchangers - a revolutionary technology from Danfoss.

Characterized by their unique plate pattern, MPHEs enable heat to be transferred more effectively than any previous model of heat exchangers.

Benefits:

- Energy and cost savings
- Better heat transfer
- Lower pressure loss
- More flexible design
- Longer life time

more on:

MPHE.danfoss.com

XB71 is copper brazed heat exchanger, designed and configured for District Heating, District Cooling and other Heating applications.

Approval:

Pressure Equipment Directive (PED).

Ordering

1-pass heat exchanger XB 71

Picture	No. of plates, n	XB 71H
		Code No.
	50	079G1005
	60	079G1006
	70	079G1007
	80	079G1008
	90	079G1009
	100	079G1010
	110	079G1011
	120	079G1012
	140	079G1013
	160	079G1014
	180	079G1015
	200	079G1016
	220	079G1017
	240	079G1018
	260	079G1019
280	079G1020	

Notes:

Brackets are supplied together with heat exchanger.

XB71 is provided with compact flanges, installing with standard flanges is not possible. Recommended are Danfoss counter flanges. Counter compact flanges needs to be ordered separately.

Insulation XB 71 (mm)

Polyurethane shell with aluminium cover (PU)	
H	Code No.
50-90	079G1080
91-140	079G1081
141-180	079G1082
181-260	079G1083
261-280	079G1084

Self-adhesive Armaflex insulation (AR)	
H	Code No.
50-80	079G1093
81-120	079G1094
121-160	079G1095
161-220	079G1096
221-280	079G1097
-	079G1098

Ordering *(continuous)*

Accessories - Counter compact-flanges

Type	Material	Code No.
Counter compact flange set XB71 DN100 CS 2pcs ¹⁾	mild steel	079G1070
Counter compact flange set XB71 DN100 StS 2pcs ²⁾	stainless steel	079G1071
O-ring gaskets DN100 I-pack (Heating and Cooling) 4pcs	Viton FKM 80	079G1072
O-ring gaskets DN100 I-pack (DHW) 4pcs	Viton VI665	079G1073

¹⁾ Counter flanges (2 pcs) of mild steel including O-rings (Heating, Colling) and bolts.

²⁾ Counter flanges (2 pcs) of stainless steel 1.4404 including O-rings (Drinking water DHW) and bolts. (FDA: 21CFR Ch I § 177.2600)

Technical data

Heat exchanger XB71

Type		XB 71H-1
Max working pressure	bar	25
Min. / Max. temperature	°C	-196 / 180
Flow medium		DH: Circulation water / glycolic water up to 50% DC: ethylene-, propylene-glycolic water, ethanol-water solutions and other suitable heat transfer media. (Please contact your Danfoss representative.)
Volume / Channel	Ltr	0.519
Connections		Compac Flange DN100 1.4404 PN25
Weight 1-pass	kg	29.1+0.97×NoP
Materials		
Plate material		Stainless steel, mat. no. 1.4404 (316L)
Brazing		Copper

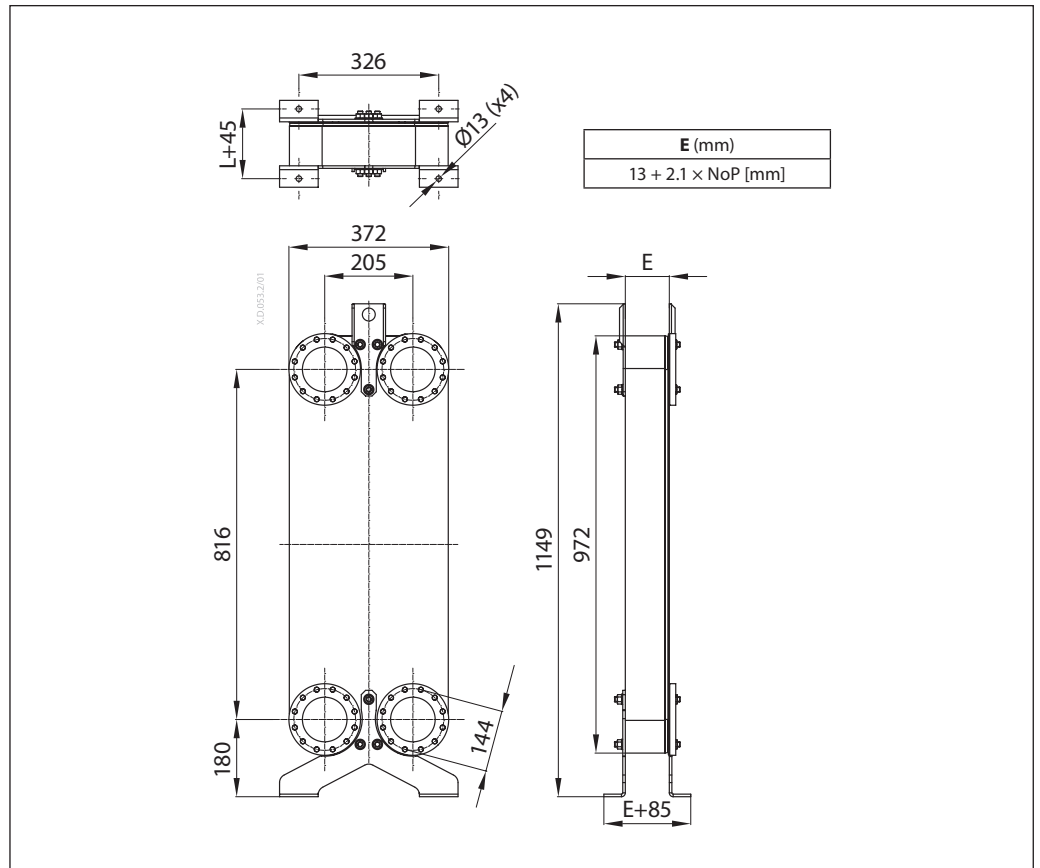
Insulation

Type		Polyurethane shell with aluminium cover (PU)	Self-adhesive Armaflex insulation (AR)
Wall thickness	mm	40	19-19
Heat conductivity λ	W/mK	0.024	0.033
Max. temperature	Permanent	°C	85
	Short term peak		110
Surface finish		Aluminium cover RAL 9006	RAL 9011

Note:

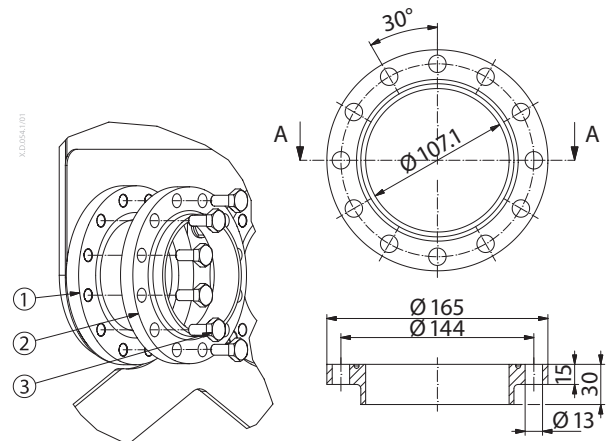
For more details about insulation please contact your Danfoss sales representative.

Dimensions



Compact counter flange

1. Connection ring
2. Compact counter flange
3. Screw



Flanges on the heat exchangers are without grooves for O-rings. 2 pcs of O-rings (for heating applications) are supplied in counter flanges set (with grooves). 2 pcs of O-rings, approved for drinking water applications, are supplied in counter flanges set (with grooves). They must be mounted on domestic hot water (DHW) side to replace existing O-rings. Bolts and nuts are included in counter flanges set only. Recommended type: hexagon bolt M12, DIN 933, quality 8.8, galvanized, length 25 mm, 12 pieces of bolts and nuts per each counter flange.

Insulation

(PU)

Type	L (mm)	Code No.
PU Ins XB71	350	079G1080
	445	079G1081
	545	079G1082
	705	079G1083
	925	079G1084

(AR)

Type	L (mm)	Code No.
AR Ins XB71	142	079G1093
	222	079G1094
	312	079G1095
	432	079G1096
	582	079G1097
	752	079G1098

Danfoss A/S

Climate Solutions • danfoss.com • +45 7488 2222

Any information, including, but not limited to information on selection of product, its application or use, product design, weight, dimensions, capacity or any other technical data in product manuals, catalogues descriptions, advertisements, etc. and whether made available in writing, orally, electronically, online or via download, shall be considered informative, and is only binding if and to the extent, explicit reference is made in a quotation or order confirmation. Danfoss cannot accept any responsibility for possible errors in catalogues, brochures, videos and other material. Danfoss reserves the right to alter its products without notice. This also applies to products ordered but not delivered provided that such alterations can be made without changes to form, fit or function of the product.

All trademarks in this material are property of Danfoss A/S or Danfoss group companies. Danfoss and the Danfoss logo are trademarks of Danfoss A/S. All rights reserved.