

Data sheet

Check valves

VCH 30, VCH 60, VCH 120 and VCH 150



The function of the non-return valve is to allow flow in one direction while blocking it in the other.

The valve incorporates a conical poppet design, which ensures sealing with a low viscosity medium such as water.

The Water must be clean (according to the EU drinking water directives 98/83/EC) and must be free from abrasive sediments.

The valves are available for flows of 30 l/min, 60 l/min, 120 l/min. and 150 l/min.

If the recommendations in the manual are not followed, Danfoss reserves the right to void the warranty.

Features

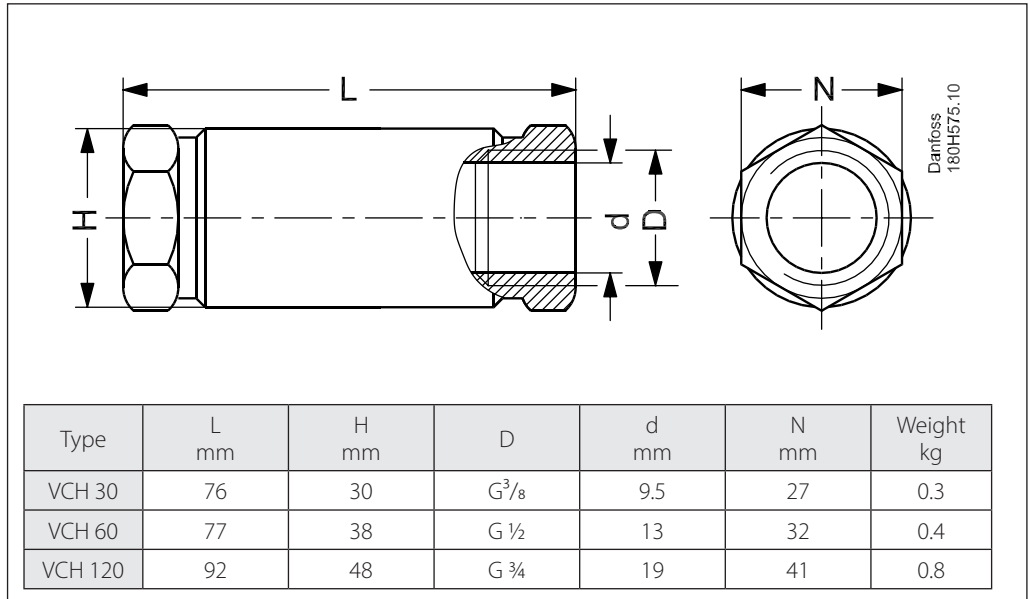
- The non-return valve is produced in stainless steel AISI 304 L/W.No. 1.4301

Technical data and ordering

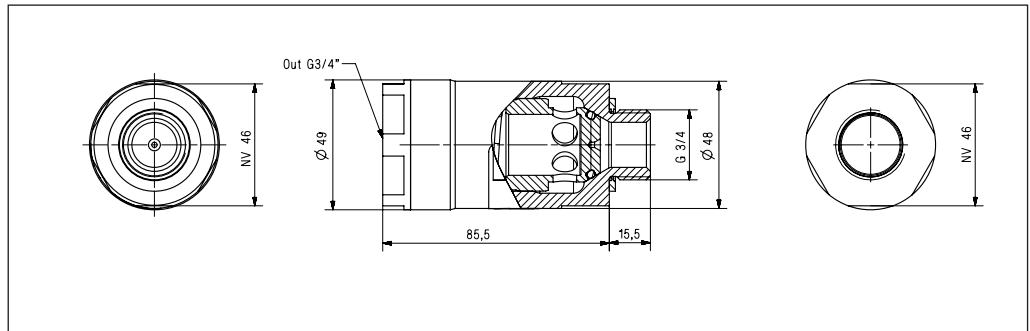
Type	Max. pressure barg	Flow continuously l/min.	Opening pressure barg	Pressure loss at max. flow barg	Code number
VCH 30	300	30	0.5	2.5	180H0114
VCH 60	300	60	0.3	2.5	180H0115
VCH 120	250	120	0.5	2.5	180H0116
VCH 150	160	150	0.5	2.5	180H0117

Dimensions

VCH 30, VCH 60 & VCH 120



VCH 150



Danfoss A/S

High Pressure Pumps • danfoss.com • +45 7488 2222 • highpressurepumps@danfoss.com

Any information, including, but not limited to information on selection of product, its application or use, product design, weight, dimensions, capacity or any other technical data in product manuals, catalogues descriptions, advertisements, etc. and whether made available in writing, orally, electronically, online or via download, shall be considered informative, and is only binding if and to the extent, explicit reference is made in a quotation or order confirmation. Danfoss cannot accept any responsibility for possible errors in catalogues, brochures, videos and other material. Danfoss reserves the right to alter its products without notice. This also applies to products ordered but not delivered provided that such alterations can be made without changes to form, fit or function of the product.

All trademarks in this material are property of Danfoss A/S or Danfoss group companies. Danfoss and the Danfoss logo are trademarks of Danfoss A/S. All rights reserved.