



Data sheet

# JIP™ branching valves

Description



**Application:**

Danfoss JIP™ branching ball valves are designed for extensions of district heating systems and other closed loop water systems, where the water is treated to avoid internal corrosion. Having a fully welded body, the valves meet the requirements for valves used in district heating and district cooling systems and offer the highest degree of security.

**Features:**

- External stem hexagon on all dimensions
- Position indicator of the ball on the stem
- 90 degree end stop (DN 15-100 mm)
- The valves are maintenance free

**Main data:**

- DN 15-200
- $k_{vs}$  11-2.300 m<sup>3</sup>/h
- PN 10/16/25/40
- Temperature:  
0...180°C for welding connections  
0...130°C for copper connections
- Medium: Circulation water / glycolic water up to 50%
- Min. storage and transport temperature: -40°C

**Approvals and norms:**

- 100% final inspection. Leak and shell tests as well as dimension and functionality tests are performed on each and every valve according to applicable standard (EN 12266 part 1 P10-P11-P12 & part 2 F20).
- PED 2014/68/EU module H1
- Danfoss A/S is certified according to ISO 9001, ISO 14001 and ISO 45001.

Ordering

**JIP-WW reduced bore valves (T = 0 ... 180°C)**

Picture	DN (mm)	$k_{vs}$ (m <sup>3</sup> /h)	PN (bar)	Code No.
	15	11	40	065N0000
	20	15		065N0001
	25	34		065N0002
	32	52		065N0003
	40	96		065N0004
	50	184		065N0005
	65	200	25	065N0006
	80	470		065N0007
	100	640		065N0009
	125	1.080		065N2148
	150	1.900		065N2153
	200	2.300		065N2158

Ordering (continuous)

JIP-WW full bore valves (T = 0 ... 180°C)

Picture	DN (mm)	$k_{vs}$ (m <sup>3</sup> /h)	PN (bar)	Code No.
	20	50	16	065N0020
	25	90		065N0021
	32	160		065N0022
	40	235		065N0023
	50	395		065N0024
	65	820	25	065N0025
	80	1.100		065N0026
	100	2.300		065N1143 <sup>1)</sup>

<sup>1)</sup> DN 100 FB does not have the end stop

JIP-CC reduced bore valves (T = 0 ... 130°C)

Picture	DN (mm)	$k_{vs}$ (m <sup>3</sup> /h)	PN (bar)	Code No.
	15	11	16	065N0030
	20	15		065N0031
	25	34		065N0033
	32	52		065N0032
	40	96		065N0034
	50	184	10	065N0035
	65	200		065N0036
	80	470		065N0037

Spare parts for branching valves

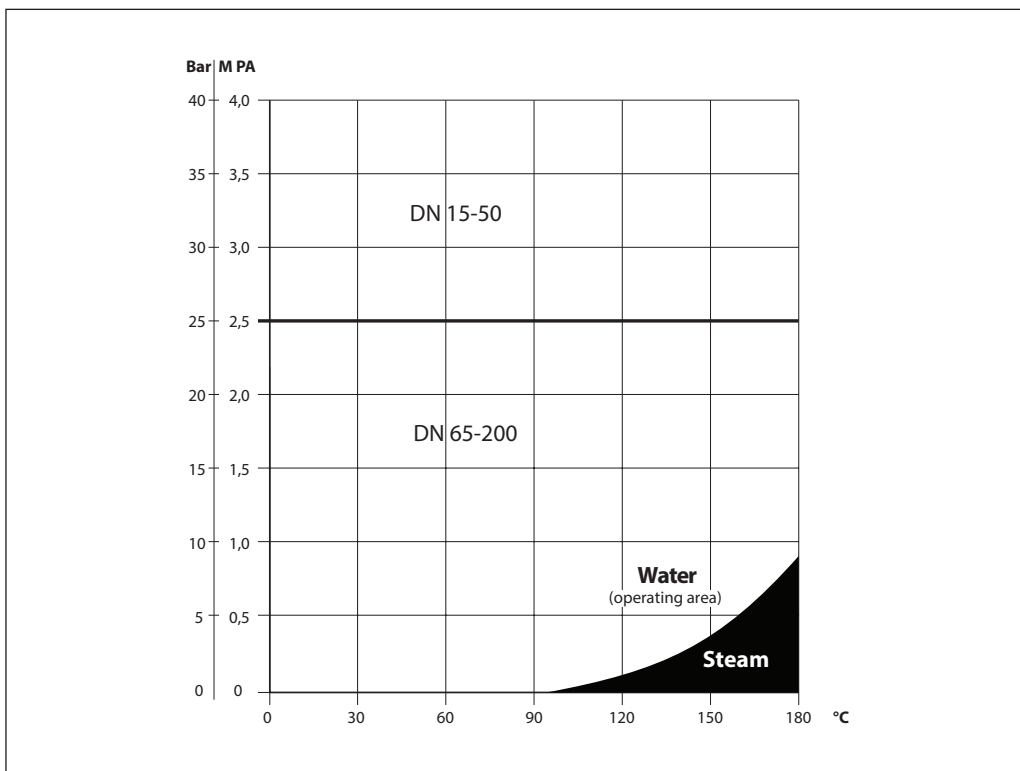
Top plug for stem

Picture	DN, Reduced bore (mm)	DN, Full bore (mm)	Code No.
	15-25	20	065N0010
	32-50	25-40	065N0011
	65	50	065N0012
	80-100	65-80	065N0013

Technical data

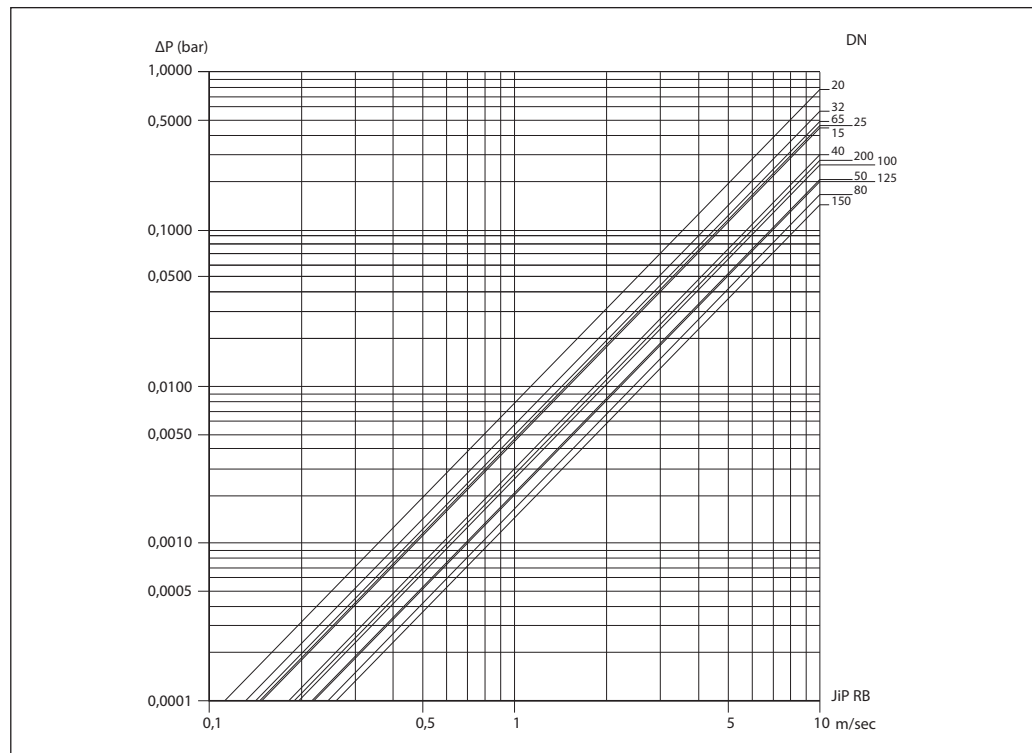
Nominal diameter	DN	15	20	25	32	40	50	65	80	100	125	150	200
$k_{vs}$ reduced bore	m <sup>3</sup> /h	11	15	34	52	96	184	200	470	640	1080	1900	2300
$k_{vs}$ full bore		-	50	90	160	235	395	820	1100	2300	-	-	-
Nominal pressure	PN	10 / 16 / 25 / 40											
Temperature range WW	°C	0 ... 180											
Temperature range copper		0 ... 130											
Medium	Circulation water / glycolic water up to 50 %												

Pressure temperature diagram

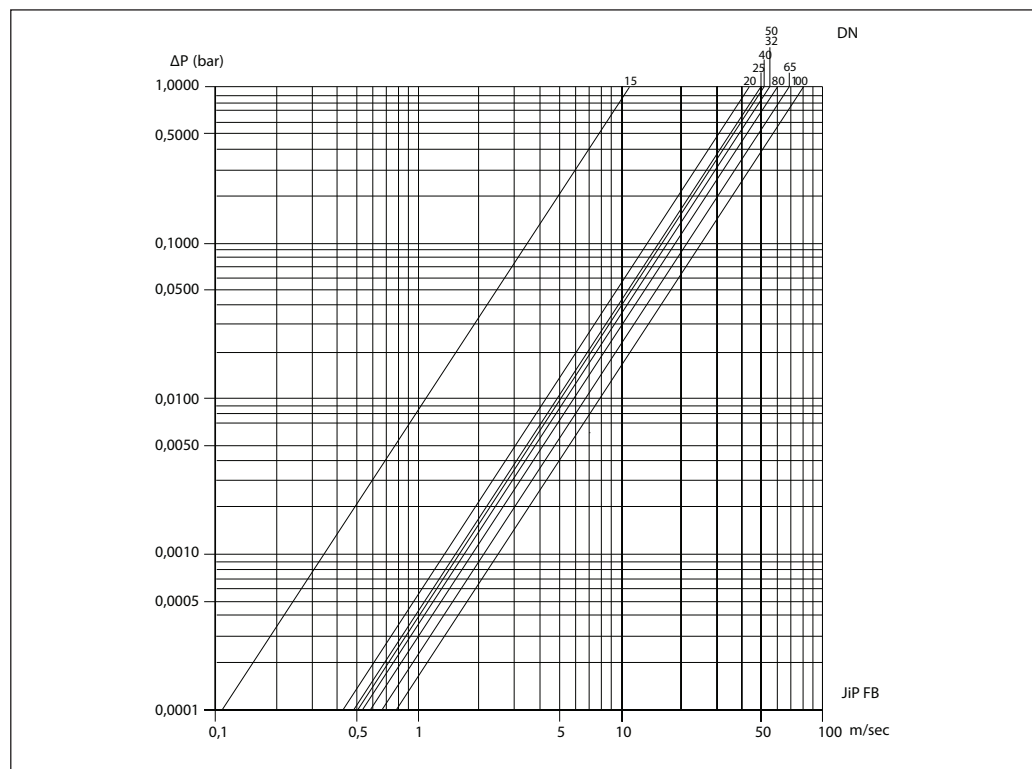


Pressure drop/velocity diagrams

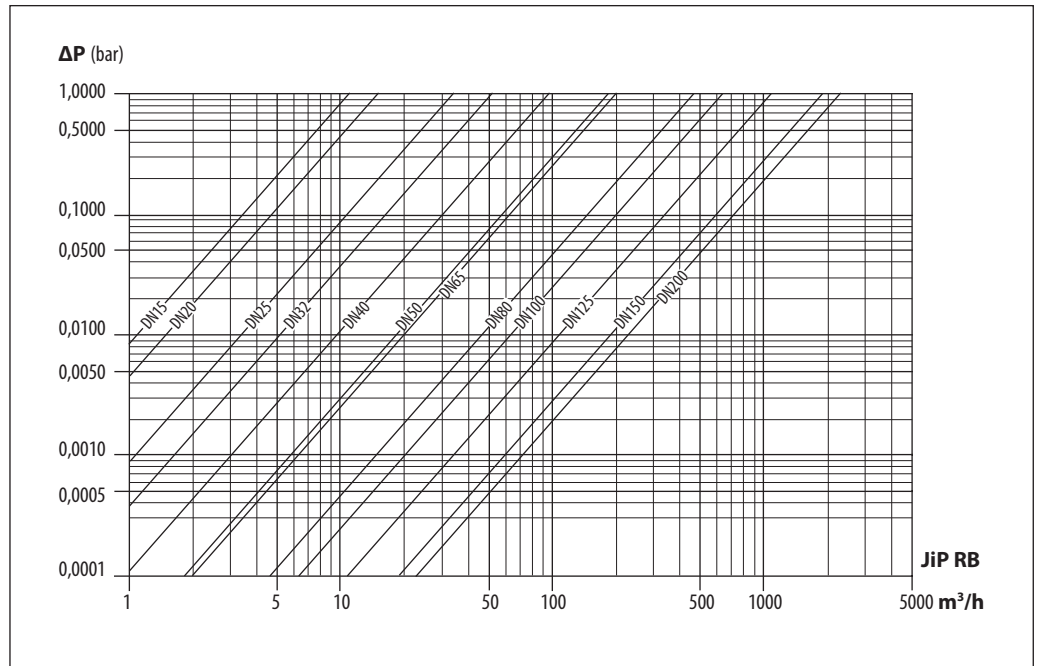
Reduced bore



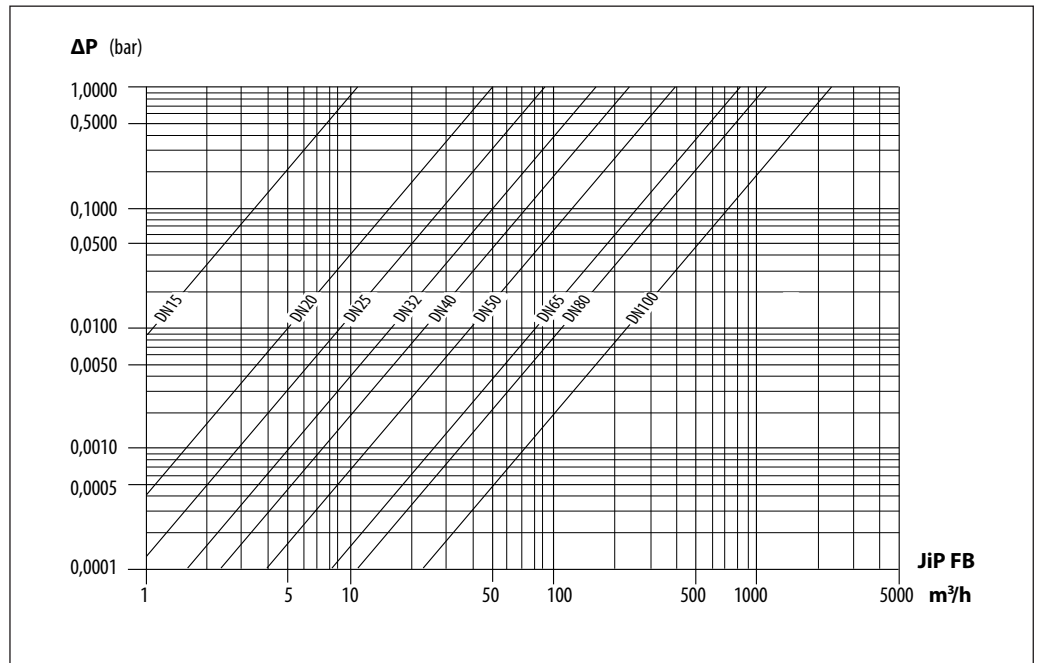
Full bore



**Pressure drop/velocity diagrams**  
Reduced bore



Full bore

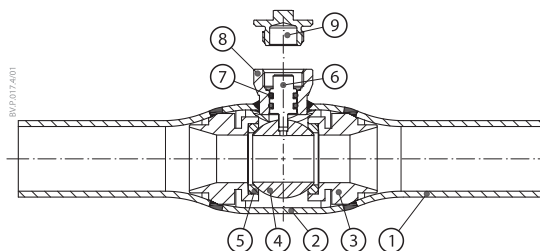


**Design & material**

Reduced bore  
JIP-WW  
JIP-CC

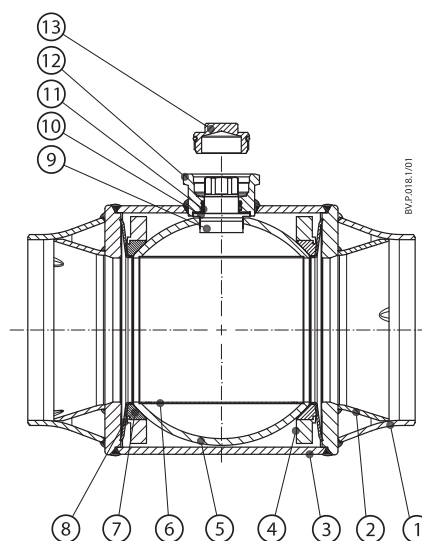
DN 15-100

1	Welding end	*Weldable mild steel 20#
2	Shell	*Weldable mild steel 20#
3	Ball seal retainer	*Weldable mild steel 20#
4	Ball	Stainless steel
5	Ball seal	Carbon reinforced PTFE
6	Stem	Stainless steel
7	O-ring	EPDM
8	Packing box	*Weldable mild steel 20#
9	Plug	*Weldable mild steel 20#



DN 125-200

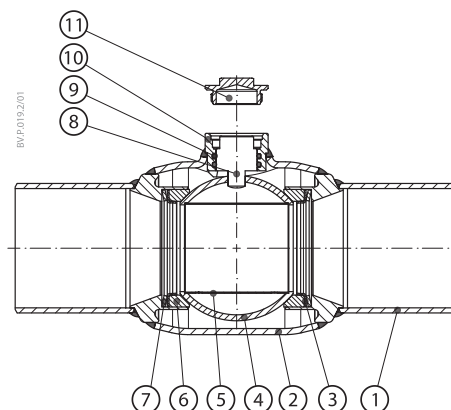
1	Welding end	*Weldable mild steel 20#
2	Guiding pipe	*Weldable mild steel 20#
3	Shell	*Weldable mild steel 20#
4	Ball seal retainer	*Weldable mild steel 20#
5	Ball	Stainless steel
6	Pipe insert	Stainless steel
7	Ball seal	Carbon reinforced PTFE
8	Disc spring	Domex 650 MC
9	Stem	Stainless steel
10	Washer	Carbon reinforced PTFE
11	O-ring	EPDM
12	Packing box	*Weldable mild steel 20#
13	Plug	*Weldable mild steel 20#



Full bore  
JIP-WW

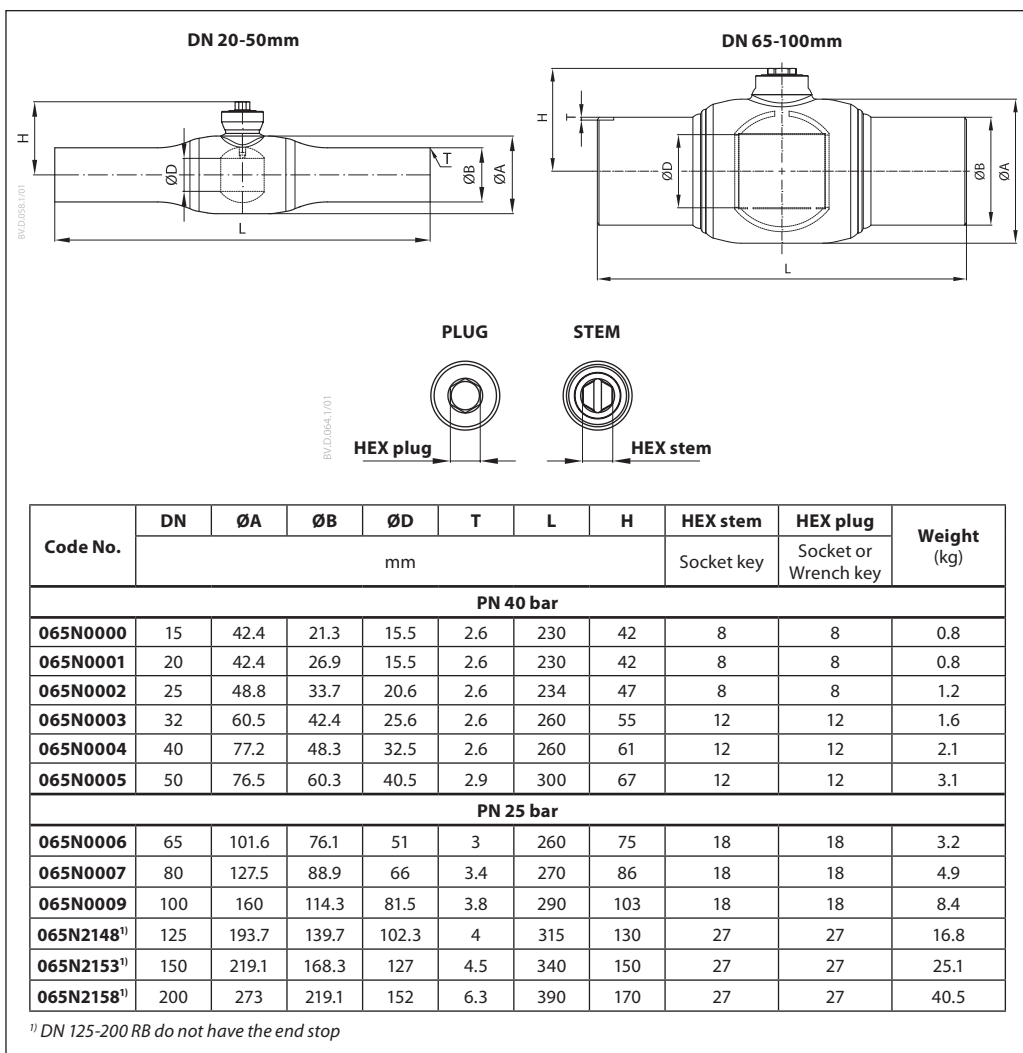
DN 20-100

1	Welding end	*Weldable mild steel 20#
2	Shell	*Weldable mild steel 20#
3	Ball seal retainer	*Weldable mild steel 20#
4	Ball	Stainless steel
5	Pipe insert	Stainless steel
6	Ball seal	Carbon reinforced PTFE
7	Disc spring	Stainless steel
8	Stem	Stainless steel
9	O-ring	EPDM
10	Packing box	*Weldable mild steel 20#
11	Plug	*Weldable mild steel 20#

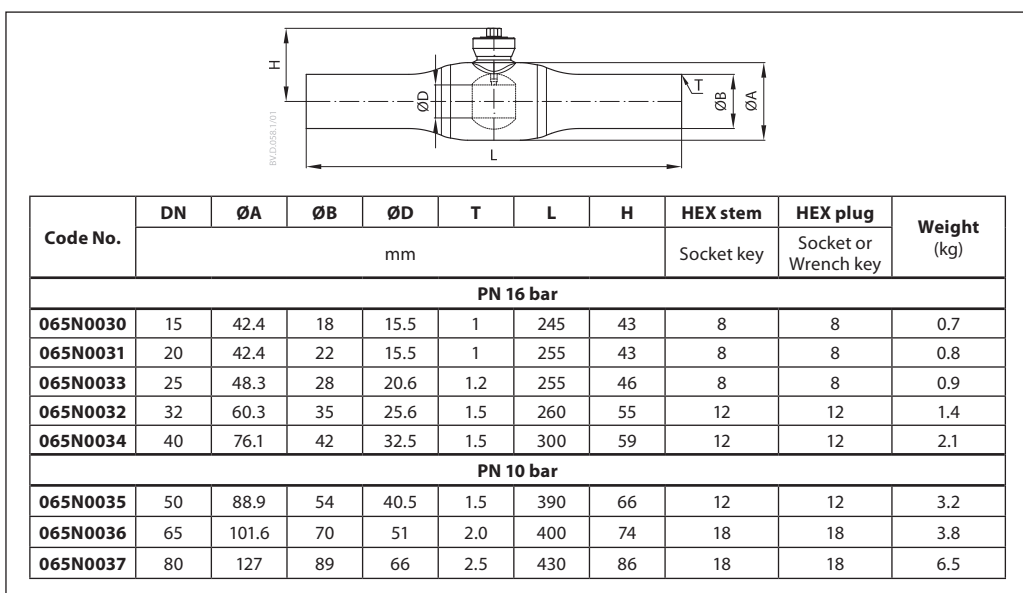


\* According to the GB/T8163. Or equivalent mild steel in accordance with CE-PED

**Dimensions**  
Reduced bore  
JIP-WW

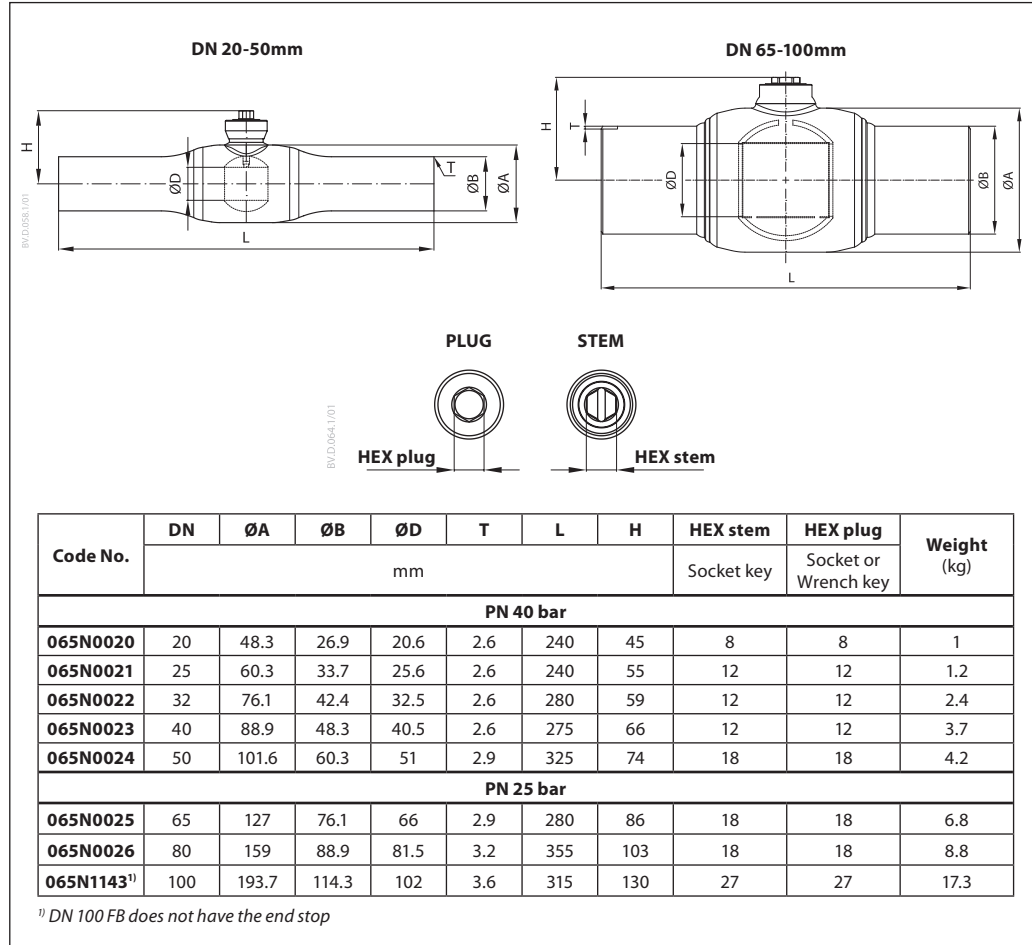


Full bore  
JIP-CC



Dimensions

Full bore  
JIP-WW



Danfoss A/S

Climate Solutions • danfoss.com • +45 7488 2222

Any information, including, but not limited to information on selection of product, its application or use, product design, weight, dimensions, capacity or any other technical data in product manuals, catalogues descriptions, advertisements, etc. and whether made available in writing, orally, electronically, online or via download, shall be considered informative, and is only binding if and to the extent, explicit reference is made in a quotation or order confirmation. Danfoss cannot accept any responsibility for possible errors in catalogues, brochures, videos and other material. Danfoss reserves the right to alter its products without notice. This also applies to products ordered but not delivered provided that such alterations can be made without changes to form, fit or function of the product.

All trademarks in this material are property of Danfoss A/S or Danfoss group companies. Danfoss and the Danfoss logo are trademarks of Danfoss A/S. All rights reserved.