



Data sheet

Taylor made JIP™ ball valves for AluPEX and Copper preinsulated pipes by Logstor & Isoplus (PN 25, 40)

Description



TWIN ball valves

Branching valve

Danfoss Taylor made JIP™ Twin and Branching ball valves range of reduced bore shut off valves developed for easy and fast connection to the Logstor and Isoplus preinsulated AluPEX and Copper pipes in District Heating and District Cooling networks.

TWIN ball valves are designed for safe & reliable DH network set up and connection of the subscribers to the DH network with single and double (Twin) pipe connection.

Branching ball valves are designed for extensions of district heating systems and other closed loop water systems.

Having a fully welded body, the valves meet the requirements for valves used in district heating and district cooling systems and offer the highest degree of security.

The valve design makes them ideal for building installation and network extension due to:

- High level of safety & low risk of leakage due to use of original factory welded & pressure tested press fit connection fittings
- Energy saving: with optimum flow design valves have highest Kvs on the market and consequently lowest pump energy costs
- Long lifetime and optimal tightness due to design and material selection in ball seal (carbon reinforced PTFE) and graphite stem seal (Twin valves)
- The valves are maintenance free

TWIN valve features:

Internal thread / AluPEX/CuFLEX press fit connection for:

- AluPEX pipes DN 20, 26 and 32 from LOGSTOR
- AluPEX (Isoalupex) pipes DN 25 and 32 from ISOPLUS
- CuFLEX copper preinsulated pipes Ø18 and Ø22 from LOGSTOR
- Compact products due the taylor made design of the valve with integrated original press fit connection piece
- T-shape ergonomic handle with red/blue indicators for flow and return pipe
- Available also versions with end plugs and draining valve
- 90 degree end stop

Branching valve features:

Welded / AluPEX press fit connection for:

- AluPEX pipes DN 20, 26 from LOGSTOR
- AluPEX (Isoalupex) pipes DN 25 from ISOPLUS
- External stem hexagon for easy operation on all dimensions
- Visible position indicator of the ball on the stem
- 90 degree end stop
- Safe & reliable connection, compliant to EN 488

Ordering

TWIN valves for single and double (twin) pipes

Twin valves for LOGSTOR preinsulated pipes

JIP IP internal thread / AluPEX press fit

Use	Picture	Description	DN	PN	Connection type & size (Internal thread/PEX)	Additional features	Code No.
Single pipe		JIP-IP DN 15 TWS PN40 T PEX20 LOG	15	40	Rp 1/2" / AluPEX 20	-	065N0081
		JIP-IP TWS DN 20 PN40 T PEX20 LOG	20		Rp 3/4" / AluPEX 20	-	065N4013
		JIP-IP DN 20 TWS PN40 T PEX26 LOG		Rp 3/4" / AluPEX 26	-	065N4077	
		JIP-IP DN 20 TWS PN25 T PEX26 DV LOG	25	Rp 3/4" / AluPEX 26	Draining valves	065N0091	
Double (TWIN) pipe		JIP-IP DN 15 TWD PN40 T PEX20 LOG	15	40	Rp 1/2" / Alu PEX 20	-	065N0080
		JIP-IP DN 20 TWD PN40 T PEX20 LOG	20		Rp 3/4" / AluPEX 20	-	065N4053
		JIP-IP DN 20 TWD PN40 T PEX26 LOG			Rp 3/4" / AluPEX 26	-	065N7025
		JIP-IP DN 20 TWD PN25 T PEX26 DVP LOG	25	Rp 3/4" / AluPEX 26	End plugs & Draining valves	065N7237	
		JIP-IP DN 20 TWD PN25 T PEX20/26 DVP LOG		Rp 3/4" / AluPEX 20/26	End plugs & Draining valves	065N4082	
		JIP-IP DN 25 TWD PN40 T PEX32 LOG	25	40	Rp 1" / AluPEX 32	-	065N7027 ¹⁾

Twin valves for LOGSTOR CuFLEX preinsulated pipes (Copper)

JIP IP internal thread / CuFLEX press fit

Use	Picture	Description	DN	PN	Connection type & size (Internal thread/CuFLEX)	Code No.
Single pipe		JIP-IP DN 20 TWS PN40 T CU22 LOG	20	40	Rp 3/4" / CuFLEX Ø22	065N0081
Double (TWIN) pipe		JIP-IP DN 20 TWD PN40 T CU18 LOG	20	40	Rp 3/4" / CuFLEX Ø18	065N7017
		JIP-IP DN 20 TWD PN40 T CU22 LOG			Rp 3/4" / CuFLEX Ø22	065N7021

Ordering *Continuous*

Twin valves for ISOPLUS preinsulated pipes (isoalupex)

JIP IP internal thread / AluPEX press fit

Use	Picture	Description	DN	PN	Connection type & size (Internal thread/PEX)	Additional features	Code No.
Single pipe		JIP-IP DN 20 TWS PN25 T PEX25 DV ISO	20	25	Rp 3/4"/ isoalupex 25	Draining valves	065N0090
		JIP-IP DN 20 TWS PN40 T PEX25 ISO		40	Rp 3/4"/ isoalupex 25	-	065N0075
		JIP-IP DN 25 TWS PN40 T PEX32 ISO	25		Rp 1"/ isoalupex 32	-	065N0085 ¹⁾
Double (TWIN) pipe		JIP-IP DN 20 TWD PN25 T PEX25 ISO	20	40	Rp 3/4"/ isoalupex 25	-	065N0074
		JIP-IP DN 20 TWD PN25 T PEX25 DVP ISO		25	Rp 3/4"/ isoalupex 25	End plugs & Draining valves	065N4083
		JIP-IP DN 25 TWD PN40 T PEX32 ISO	25		Rp 1"/ isoalupex 32	-	065N0084 ¹⁾

¹⁾ Available in Q3 2022

Ordering

BRANCHING valves for AluPEX pipes

Branching valves for LOGSTOR AluPEX preinsulated pipes

JIP WP welding / AluPEX press fit

Picture	Description	DN	PN	Connection type & size (Internal thread/PEX)	Code No.
	JIP-WP BR DN20 PN40 PEX20 LOG	20	40	Welding end/AluPEX 20	065N0096
	JIP-WP BR DN20 PN40 PEX26 LOG			Welding end/AluPEX 26	065N0097
	JIP-WP BR DN25 PN40 PEX26 LOG	25		Welding end/AluPEX 26	065N0099

Branching valves for ISOPLUS preinsulated pipes (isoalupex)

JIP WP welding / AluPEX press fit

Picture	Description	DN	PN	Connection type & size (Internal thread/PEX)	Code No.
	JIP-WP DN 20 PN40 PEX25 ISO	20	40	Rp 3/4"/isoalupex 25	065N0076

Technical data

DN [mm]	15	20	25
K _{vs} [m ³ /h]	11	15	34
PN	25/40		
Temp range	0-180 °C ¹⁾		
Medium	Circulation water / glycolic water up to 50 %		

¹⁾ AluPEX and CuFLEX max. operating temperature and differential pressure determined by the Logstor/Isoplus preinsulated pipe specification (90°C/ Δp 10 bar)

Design & Material

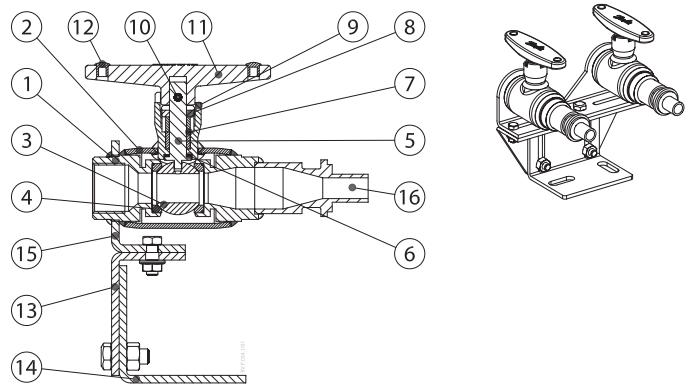
	Name	Material
1	Internal thread connection end	¹⁾ Weldable mild steel 20#
2	Shell	¹⁾ Weldable mild steel 20#
3	Ball	Stainless steel
4	Ball seal	Carbon reinforced PTFE
5	Stem	Stainless steel
6	Washer	Carbon reinforced PTFE
7	Stem sealing rings	Graphite
8	Compression nut	Steel
9	Packing box	¹⁾ Weldable mild steel 20#
10	Pin	Spring steel
11	T-Handle	Silumin
12	Red/blue button (flow/return mark)	Plastic
13	Support bracket	Steel/zinc coated
14	Wall Mounting/guiding rail	Steel/zinc coated
15	Sliding yoke (left/right)	Steel/zinc coated
16	Press fitting	Structural Mg Steel

	Name	Material
1	Internal thread connection end	¹⁾ Weldable mild steel 20#
2	Shell	¹⁾ Weldable mild steel 20#
3	Ball	Stainless steel
4	Ball seal	Carbon reinforced PTFE
5	Stem	Stainless steel
6	Washer	Carbon reinforced PTFE
7	Stem sealing rings	Graphite
8	Compression nut	Steel
9	Packing box	¹⁾ Weldable mild steel 20#
10	Pin	Spring steel
11	T-Handle	Silumin
12	Red/blue button (flow/return mark)	Plastic
13	Support bracket	Steel/zinc coated
14	Wall Mounting/guiding rail	Steel/zinc coated
15	Sliding yoke (left/right)	Steel/zinc coated
16	Draining valve	Brass alloy
17	End plug	Brass alloy
18	Press fitting	Structural Mg Steel

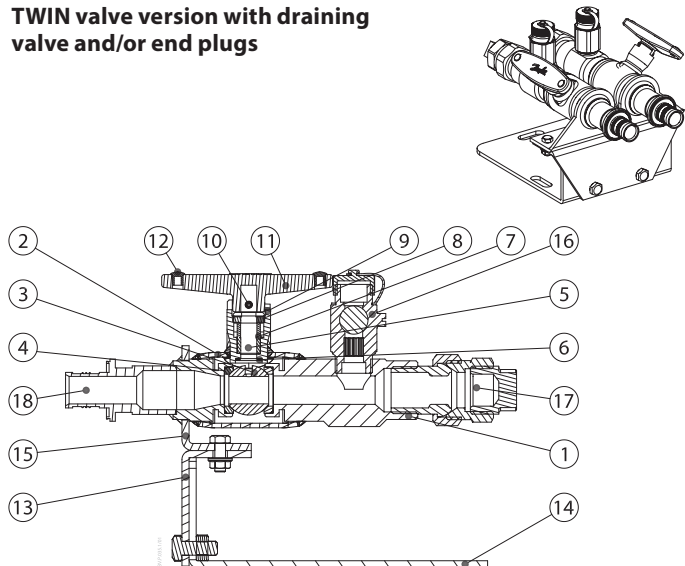
	Name	Material
1	Press fitting	Structural Mg Steel
2	Welding end	¹⁾ Weldable mild steel 20#
3	Shell	¹⁾ Weldable mild steel 20#
4	Ball seal retainer	¹⁾ Weldable mild steel 20#
5	Ball	Stainless steel
6	Ball seal	Carbon reinforced PTFE
7	Stem	Stainless steel
8	O-ring	EPDM
9	Packing box	¹⁾ Weldable mild steel 20#
10	Plug	¹⁾ Weldable mild steel 20#

¹⁾ According to the GB/T8163. Or equivalent mild steel in accordance with CE-PED Press fit brass rings are enclosed to the valve

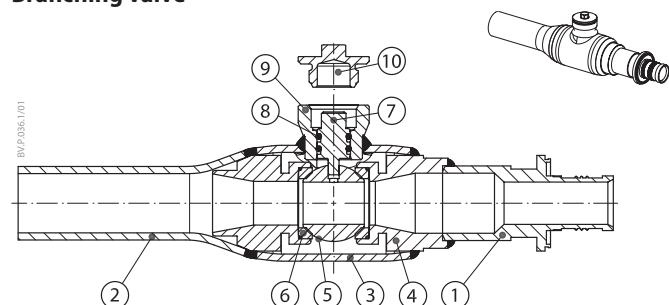
TWIN valve standard version without draining valves and/or end plugs



TWIN valve version with draining valve and/or end plugs

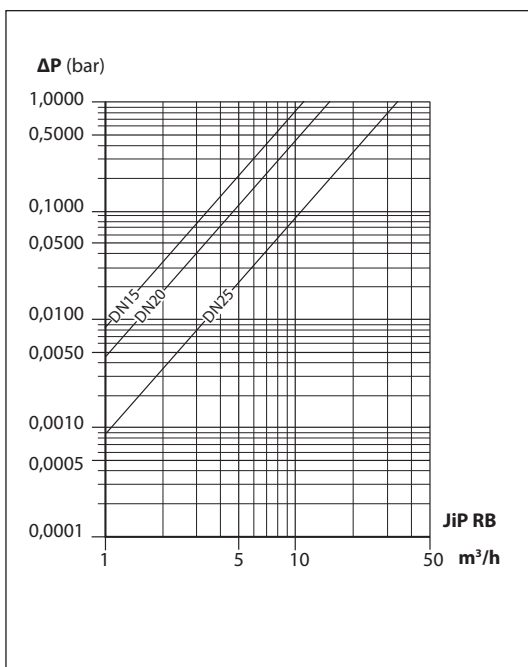


Branching valve



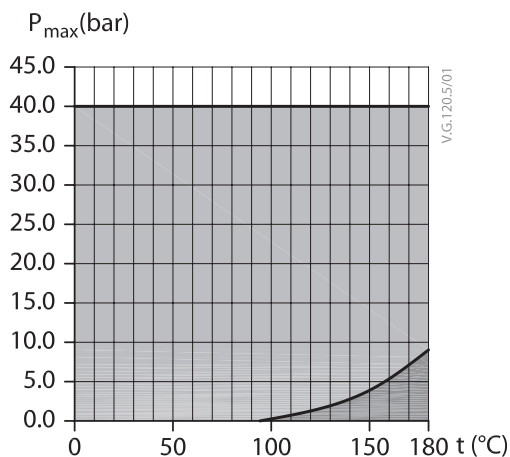
Technical data

Pressure drop/flow

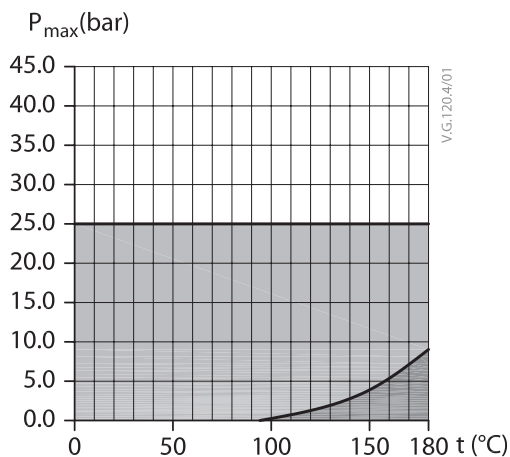


Pressure/temperature
JIP-IP, JIP-WP

DN 15-25, PN 40



DN 15-25, PN 25



Legend:

- Normal operating area (water)
- Steam area

Dimensions

Twin valves for AluPEX and CuFLEX double (TWIN) pipe

DN (mm)	A	C	H	Weight (kg)
PN 40, PN 25				
15	100-145	58	55	2.7
20			60	2.9
25				

Twin valves for AluPEX and CuFLEX SINGLE pipe

DN (mm)	A	C	H	Weight (kg)
PN 40, PN 25				
15	100-145	115-200	65	2.8
20			70	3.0
25				

Branching valves for AluPEX pipe

DN (mm)	Weight (kg)
PN 40	
20	0.85
25	0.9



Danfoss A/S

Climate Solutions • danfoss.com • +45 7488 2222

Any information, including, but not limited to information on selection of product, its application or use, product design, weight, dimensions, capacity or any other technical data in product manuals, catalogues descriptions, advertisements, etc. and whether made available in writing, orally, electronically, online or via download, shall be considered informative, and is only binding if and to the extent, explicit reference is made in a quotation or order confirmation. Danfoss cannot accept any responsibility for possible errors in catalogues, brochures, videos and other material. Danfoss reserves the right to alter its products without notice. This also applies to products ordered but not delivered provided that such alterations can be made without changes to form, fit or function of the product.

All trademarks in this material are property of Danfoss A/S or Danfoss group companies. Danfoss and the Danfoss logo are trademarks of Danfoss A/S. All rights reserved.