

ENGINEERING
TOMORROW

Danfoss

Application guidelines

Danfoss Scroll for Refrigeration

MLZ/MLM090-116-130-160-200-240

R404A, R507A, R22 | 50Hz



www.cc.danfoss.com

Single compressors	4
Manifold compressors.....	44

Features	6
Scroll compression principle	7
Nomenclature	8
Label.....	8
Serial number.....	8
Technical specifications	9
50 Hz	9
Dimensions	10
MLM/MLZ090.....	10
MLM/MLZ130.....	11
MLM/MLZ160-200-240.....	12
MLM/MLZ116.....	13
Suction and discharge connections	14
Electrical data, connections and wiring	15
Motor voltage	15
Wiring connections.....	15
IP rating.....	16
Terminal box temperature	16
Three phase electrical characteristics	16
Suggested wiring diagrams logic.....	17
Approvals and certifications	20
Internal free volume	20
Operating conditions	21
Refrigerant and lubricants.....	21
Motor supply.....	22
Compressor ambient temperature	22
Application envelope	22
Maximum discharge gas temperature	25
High and low pressure protection.....	26
On/off cycling (cycle rate limit)	26
System design recommendations	27
General.....	27
Essential piping design considerations.....	27
Refrigerant charge limit	28
Off-cycle migration.....	28
Liquid flood back.....	30
Low ambient application.....	31
Scroll and reciprocating	32
Low load operations.....	32
Braze plate heat exchangers.....	32
Water utilising systems.....	32
Sound and vibration management	33
Starting sound level.....	33
Running sound level	33
Stopping sound level.....	33
Sound generation in a refrigeration system	33
Compressor sound radiation.....	33
Mechanical vibrations.....	34
Gas pulsation	34

Installation	35
System cleanliness	35
Compressor handling and storage.....	35
Compressor mounting	36
Compressor holding charge.....	36
Tube brazing procedure.....	36
Brazing material	36
Vacuum evacuation and moisture removal.....	37
Liquid line filter driers	37
Refrigerant charging	38
Insulation resistance and dielectric strength	38
Ordering information and packaging.....	39
Packaging.....	40
Packaging details.....	40
Industrial pack	40
Spare parts & accessories.....	41

With its unique scroll design and manufacturing process flexibility, the new Danfoss scroll for refrigeration, MLZ/MLM090-240 offers a highly efficient solution for demanding refrigeration applications.

This new medium-temperature scroll compressor is designed for commercial refrigeration applications and extends Danfoss' refrigeration compressors to 50.5 kW (30 HP) at common voltage and with a common refrigerant (R404A-R22).



Thanks to its dedicated refrigeration design, the MLZ/MLM scroll compressor delivers a number of powerful advantages. With its high-efficiency motor and optimized scroll design, it reduces

energy cost in normal operating conditions and delivers high capacity and an optimized pressure ratio for refrigeration applications.

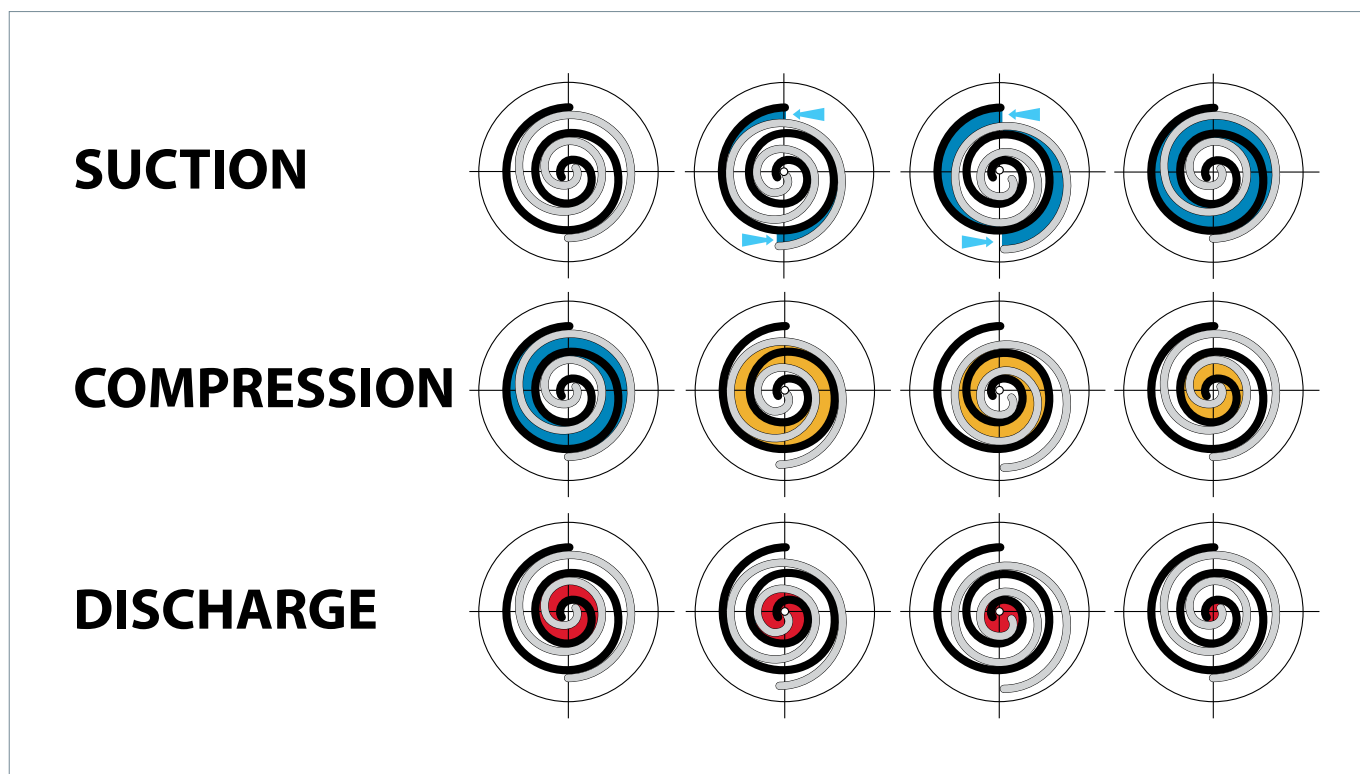
The scroll compression process

The entire scroll compression process is illustrated below. The center of the orbiting scroll traces a circular path around the center of the fixed scroll. This movement creates compression pockets between the two scroll elements.

Low pressure suction gas is trapped within each crescent-shaped pocket as it forms; continuous motion of the orbiting scroll serves to seal the pocket, which decreases in volume as the pocket

moves towards the center of the scroll set, with a corresponding increase in gas pressure. Maximum compression is achieved as the pocket reaches the discharge port at the center.

Scroll compression is a continuous process: when one pocket of gas is being compressed during the second orbit, another gas quantity enters a new pocket formed at the periphery and, simultaneously, another is being discharged.



Danfoss scroll compressors are manufactured using the most advanced machining, assembly and process control techniques. In the design of both the compressor and the factory, very

high standards of reliability and process control were first priority. The result is a highly efficient product with the highest reliability obtainable, and a low sound level.

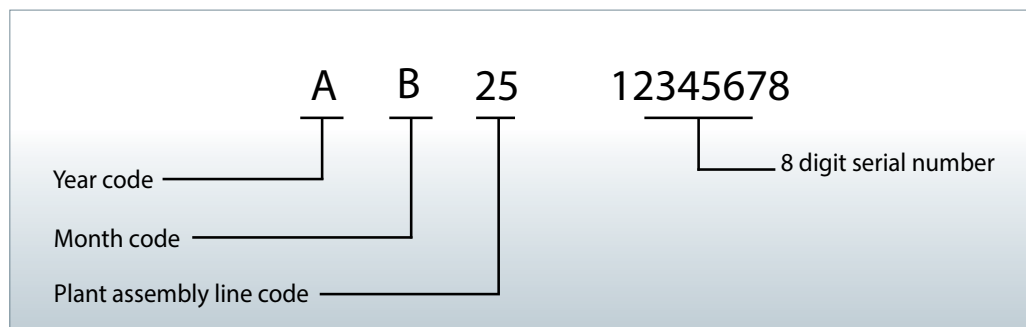
Nomenclature

	Type	Size	Motor	Features										
	MLZ	116	T4B	C5										
Application M: medium temperature refrigeration				Other features <table border="1"> <tr> <th>Oil sight glass</th> <th>Oil equalization</th> <th>Oil drain</th> <th>LP gauge port</th> <th>Gas equalization port</th> </tr> <tr> <td>5 Threaded</td> <td>Threaded</td> <td>Schrader</td> <td>Schrader</td> <td>None</td> </tr> </table>	Oil sight glass	Oil equalization	Oil drain	LP gauge port	Gas equalization port	5 Threaded	Threaded	Schrader	Schrader	None
Oil sight glass	Oil equalization	Oil drain	LP gauge port		Gas equalization port									
5 Threaded	Threaded	Schrader	Schrader	None										
Family, Refrigerant & lubricant LZ: R404A/R507 MLZ090 160SZ MLZ116 160HV MLZ130-240 160SZ LM:R22 MLM090-116 160P MLM130-240 320SZ				Tubing and electrical connections C: brazed connections, screw terminals Q: rotolock connections, screw terminals										
Nominal capacity In thousand Btu/h at 60 Hz, ARI, MBP conditions				Motor protection B: Electronic, 230 V										
Model variation T: design optimized for refrigeration				Motor voltage code 4: 380-415 V/3 ph/50 Hz										

Label



Serial number



50 Hz

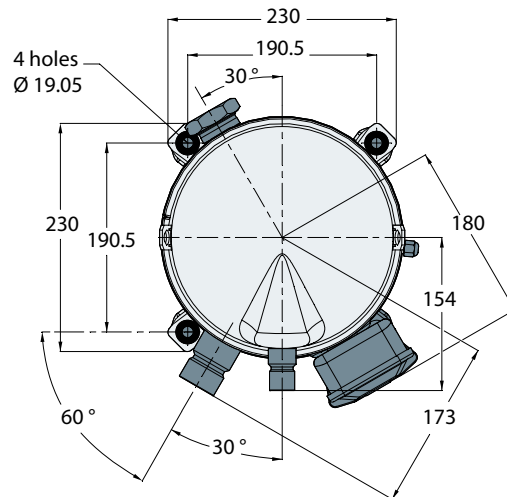
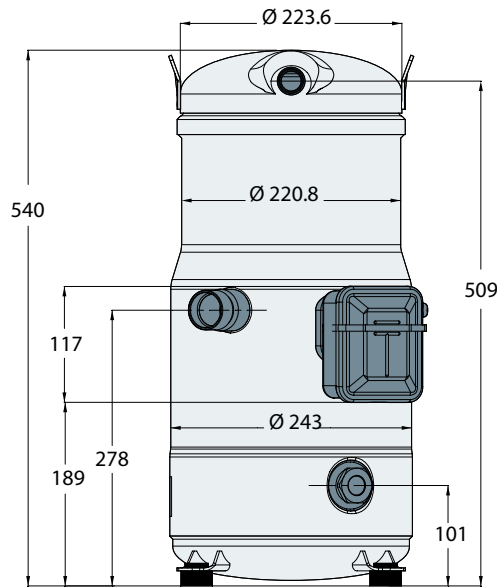
Model	HP	Nominal cooling capacity		Power input	Efficiency		Swept volume	Displacement	Oil charge	Net weight (with oil)
					COP	EER				
		W	Btu/h	kW	W/W	Btu/h/W	cm ³ /rev	m ³ /h	Litres	kg
MLM090	12	19226	65599	7928	2.43	8.27	193.5	33.7	3.3	67
MLZ090	12	19301	65855	9152	2.11	7.2	193.5	33.7	3.3	67
MLM116	15	24451	83427	10789	2.27	7.73	249.9	43.5	6.7	100
MLZ116	15	26865	91664	12127	2.22	7.56	249.9	43.5	6.7	100
MLM130	18	27411	93526	13044	2.43	8.29	276.2	48.1	6.7	111
MLZ130	18	27568	94062	11286	2.11	7.21	276.2	48.1	6.7	111
MLM160	22	32707	111596	14636	2.23	7.62	347.8	60.5	8.0	150
MLZ160	22	32943	112402	17124	1.92	6.56	347.8	60.5	8.0	150
MLM200	25	40833	139322	17835	2.29	7.81	437.5	76.1	8.0	157
MLZ200	25	41312	140957	20819	1.98	6.77	437.5	76.1	8.0	157
MLM240	30	50562	172518	21818	2.32	7.91	531.2	92.4	8.4	158
MLZ240	30	50440	172101	25460	1.98	6.76	531.2	92.4	8.4	158

Note: EN12900 conditions: To= -10°C, Tc= 45°C, RGT= 20°C, SC= 0K

* For MLZ090-130-160-200-240 R507 performance data are nearly identical to R404A performance data

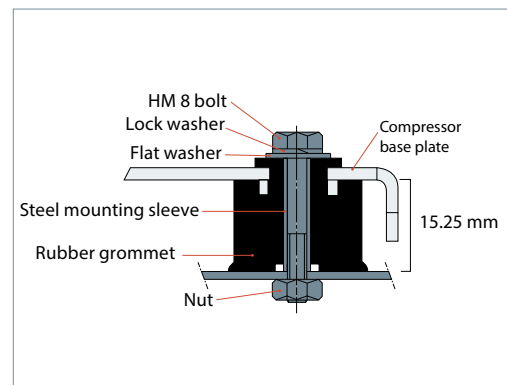
**MLM/Z116's rating condition is EN12900@SH10K

MLM/MLZ090

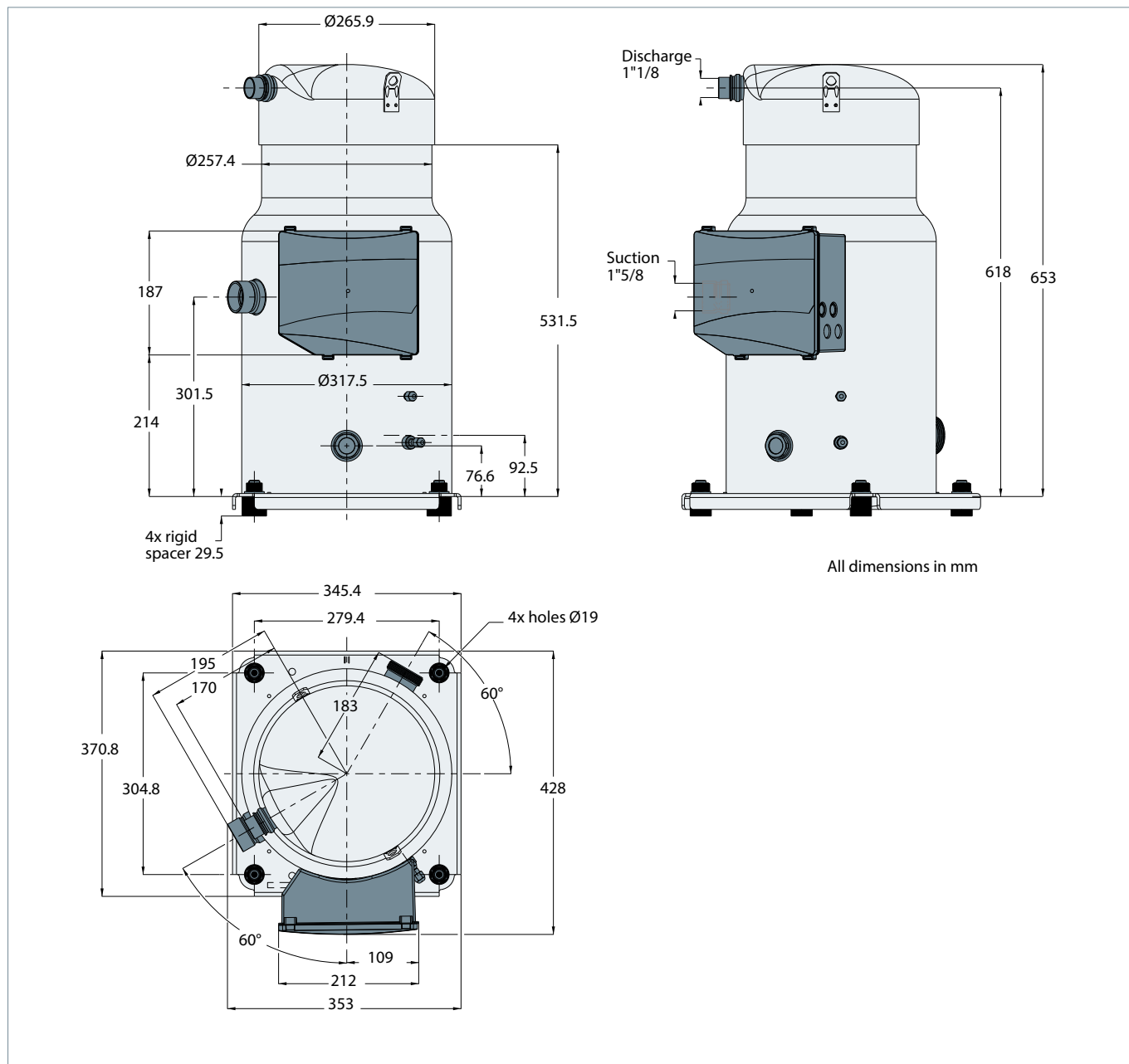


All dimensions in mm

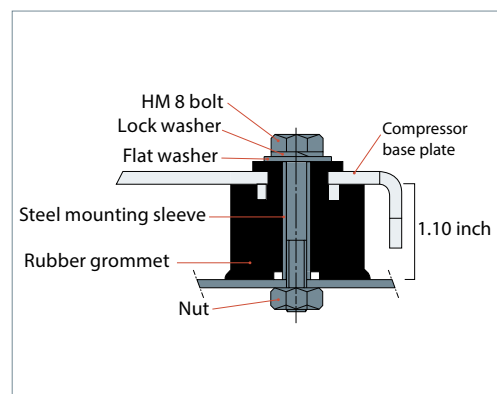
Grommet



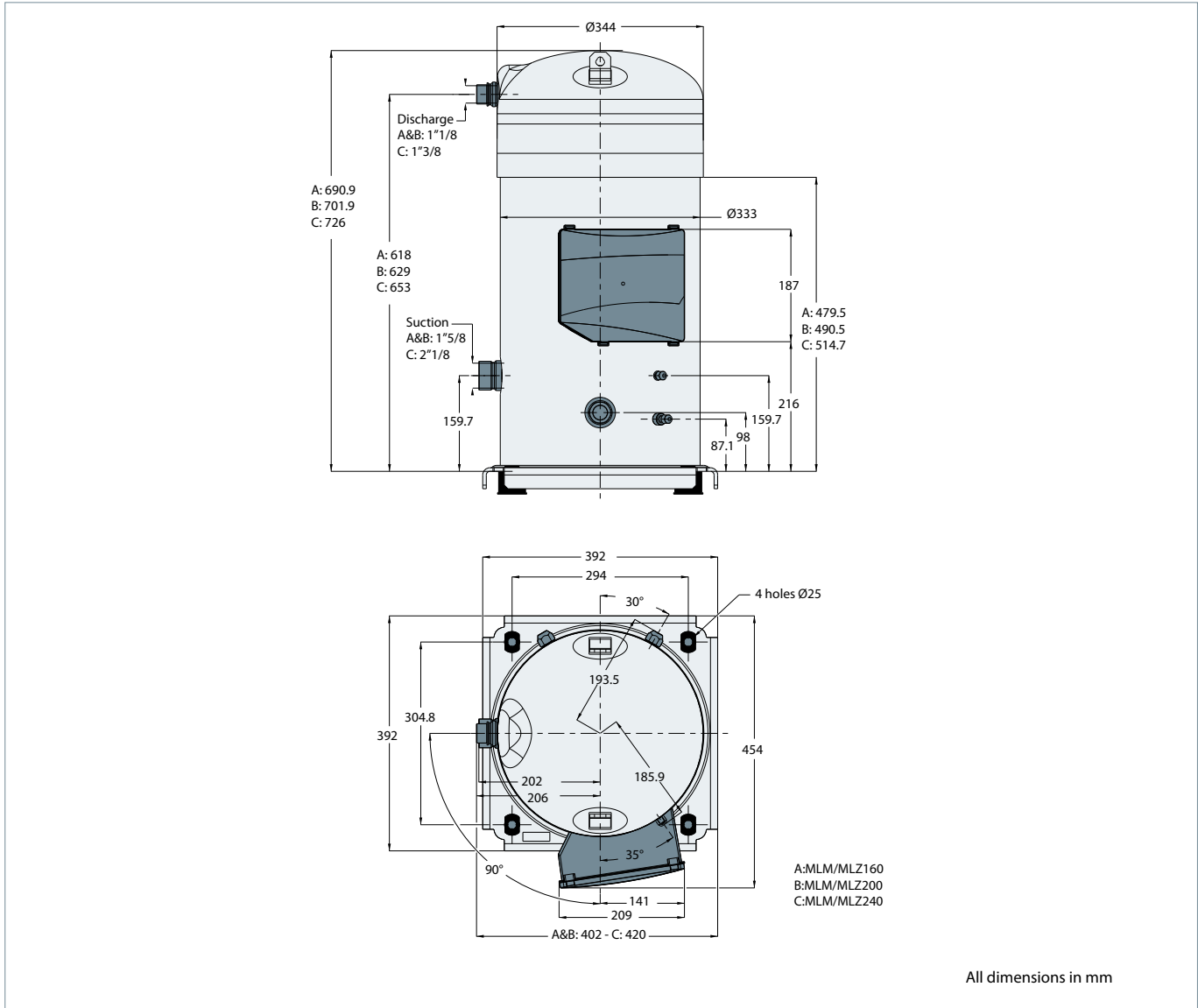
MLM/MLZ130



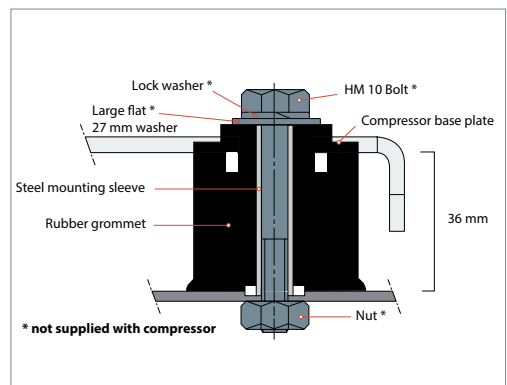
Flexible grommet



MLM/MLZ160-200-240



Grommet




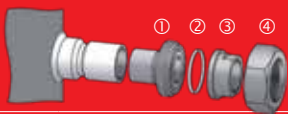

Connection details

	MLM/MLZ090	MLM/MLZ130	MLM/MLZ160-200	MLM/MLZ240	MLM/MLZ116
Suction and discharge connections	Brazed	Brazed	Brazed	Brazed	Brazed / Rotolock
Oil sight glass	Threaded	Threaded	Threaded	Threaded	Threaded
Oil equalization connection	Rotolock 1"3/4	Rotolock 1"3/4	1/2" Flare	1/2" Flare	Rotolock 2"1/4
Oil drain connection	-	1/4" Flare	1/4" Flare	1/4" Flare	1/4" flare
Low pressure gauge port (Schrader)	1/4" Flare	1/4" Flare	1/4" Flare	1/4" Flare	1/4" flare

Suction and discharge connections

MLZ/MLM scroll compressors could deliver either braze connection or rotolock connections.

Dedicated Rotolock adaptors and adaptor sets are available as accessories.

Compressor models	Brazed version		Rotolock version			
						
	Connection size		Rotolock adaptor set (①Adaptor, ②Gasket, ③Sleeve, ④Nut)			Rotolock adaptor (①Adaptor only)
		Rotolock	Solder sleeve ODF	Code Number	Code Number	
MLM/MLZ090	Suction			1" 1/8		
	Discharge			3/4"		
MLM/MLZ130	Suction			1" 5/8		
	Discharge			1" 1/8		
MLM/MLZ160-200	Suction			1" 5/8		
	Discharge			1" 1/8		
MLM/MLZ240	Suction			2" 1/8		
	Discharge			1" 3/8		
MLM/MLZ116	Suction	1"5/8	2"1/4	1"5/8	7765028	120Z0432
	Discharge	1"1/8	1"3/4	1"1/8		120Z0364

Oil sight glass

Danfoss MLZ/MLM090-116-130-160-200-240 scroll compressors come equipped with a sight glass (1"1/8 - 18 UNF) which may be used to determine the amount and condition of the oil contained within the sump.

Oil equalization connection

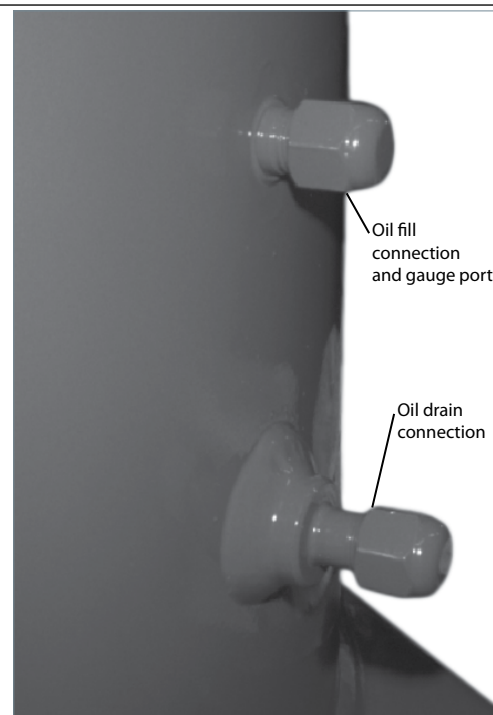
MLM/MLZ116: 2"1/4 Rotolock connector allowing the use of 2"1/4 - 1"3/8. This connection must be used to mount an oil equalization line when two compressors are mounted in parallel.

Oil drain connection

The oil drain connection allows oil to be removed from the sump for changing, testing, etc. The fitting contains an extension tube into the oil sump to more effectively remove the oil. The connection is a female 1/4" flare fitting incorporating a Schrader valve and is mounted on MLM/MLZ116 -130-160-200-240 models.

Schrader

The oil fill connection and gauge port is a 1/4" male flare connector incorporating a Schrader valve.



Motor voltage

MLZ/MLZ090-116-130-160-200-240 compressors are available only in code 4.

		Motor voltage code 4
Nominal voltage	50 Hz	380-415 - 3ph
Voltage range	50 Hz	342-457 V

Wiring connections

Electrical power is connected to the compressor terminals by \varnothing 4.8 mm (3/16") screws.

The maximum tightening torque is 3 Nm. Use a 1/4" ring terminal on the power leads.

MLM/MLZ116-160-200-240

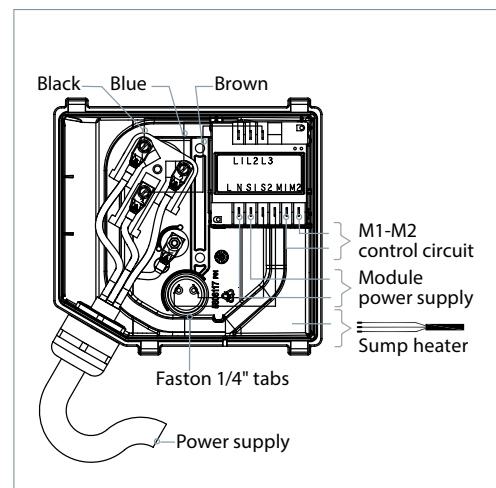
The terminal box is provided with 2 triple knockouts and 1 single knockout for power supply and 4 double knockouts for the safety control circuit.

The 3 power supply knockouts accommodate the following diameters:

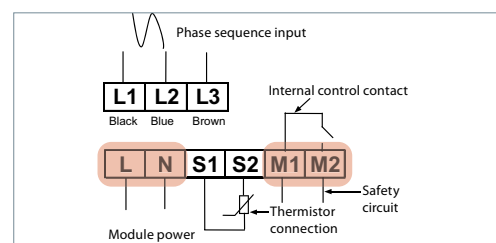
- \varnothing 50.8 mm (UL 1"1/2 conduit) and \varnothing 43.7 mm (UL 1"1/4 conduit) and \varnothing 34.5 mm (UL 1" conduit)
- \varnothing 40.5 mm (ISO40) and \varnothing 32.2 mm (ISO32) and \varnothing 25.5 mm (ISO25)
- \varnothing 25.5 mm (ISO25)

The 4 others knockouts are as follows:

- \varnothing 22.5 mm (PG16) (UL 1/2") and \varnothing 16.5 mm (ISO16) (x2)
- 20.7 mm (ISO20 or PG13.5) (x2)



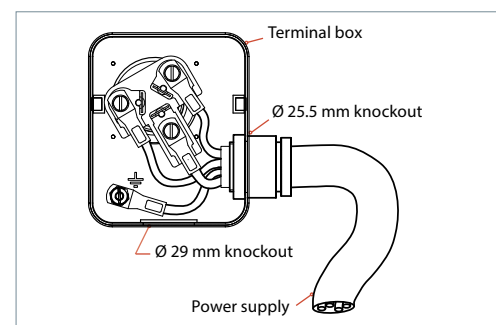
The motor protection module comes preinstalled within the terminal box. Phase sequence protection connections and thermistor connections are pre-wired. The module must be connected to a power supply of the appropriate voltage. The module terminals are 6.3 mm size Faston type.



Note: please make sure M1/M2 is connected to OEM controller and L/N is connected to outside power supply, otherwise, there will be no motor protection.

MLM/MLZ090

The terminal box is provided with a \varnothing 25.5 mm and a \varnothing 29 mm knockouts.



IP rating

The compressor terminal box according to IEC529 is IP54 for all models when correctly sized IP54 rated cable glands are used.

First numeral, level of protection against contact and foreign objects

5 - Dust protected

Second numeral, level of protection against water

4 - Protection against water splashing

Terminal box temperature

The temperature inside the terminal box may not exceed 70°C. Consequently, if the compressor is installed in an enclosure, precautions must be taken to avoid the temperature around the compressor and in the terminal box from rising too much. The installation of ventilation on the enclosure panels may be necessary. If not, the

electronic protection module may not operate properly. Any compressor damage related to this will not be covered by the Danfoss warranty. In the same manner, cables must be selected in a way to ensure that terminal box temperature does not exceed 70°C.

Three phase electrical characteristics

Compressor model		LRA	Max. operating current	Winding resistance
		A	A	Ω
Motor voltage code 4 380-415 V/3 ph/50 Hz	MLM/MLZ090	147	26	0.92
	MLM/MLZ130	260	44	0.52
	MLM/MLZ160	215	47	0.62
	MLM/MLZ200	270	58	0.52
	MLM/MLZ240	300	70	0.41
	MLZ/MLM116	175	35	0.914

LRA (Locked rotor amp)

Locked Rotor Amp value is the higher average current as measured on mechanically blocked compressor tested under nominal voltage. The LRA value can be used as rough estimation for

the starting current. However in most cases, the real starting current will be lower. A soft starter can be applied to reduce starting current.

Max. operating current

The max. operating current is the current when the compressor operates at maximum load conditions and 10% below nominal voltage. Max Oper. A can be used to select cables and contactors.

In normal operation, the compressor current consumption is always less than the Max Oper. A. value.

Winding resistance

Winding resistance is the resistance between phases at 25°C (resistance value +/- 7%). Winding resistance is generally low and it requires adapted tools for precise measurement. Use a digital ohm meter, a "4 wires" method and measure under stabilized ambient temperature. Winding resistance varies strongly with winding temperature. If the compressor is stabilized at a different value than 25°C, the measured resistance must be corrected using following formula:

$$R_{t_{amb}} = R_{25^{\circ}C} \frac{a + t_{amb}}{a + t_{25^{\circ}C}}$$

$t_{25^{\circ}C}$: reference temperature = 25°C

t_{amb} : temperature during measurement (°C)

$R_{25^{\circ}C}$: winding resistance at 25°C

R_{amb} : winding resistance at t_{amb}

Coefficient $a = 234.5$

General wiring information

The wiring diagrams below are examples for safe and reliable compressor wiring. In case an alternative wiring logic is chosen, it is imperative to respect the following rules:

When a safety switch trips, the compressor must stop immediately and must not re-start until the tripping condition is back to normal and the safety switch is closed again. This applies to the LP safety switch, the HP safety switch, the discharge gas thermostat and the motor safety thermostat.

In specific situations, such as winter start operation, an eventual LP control for pump-down cycles may be temporarily bypassed to

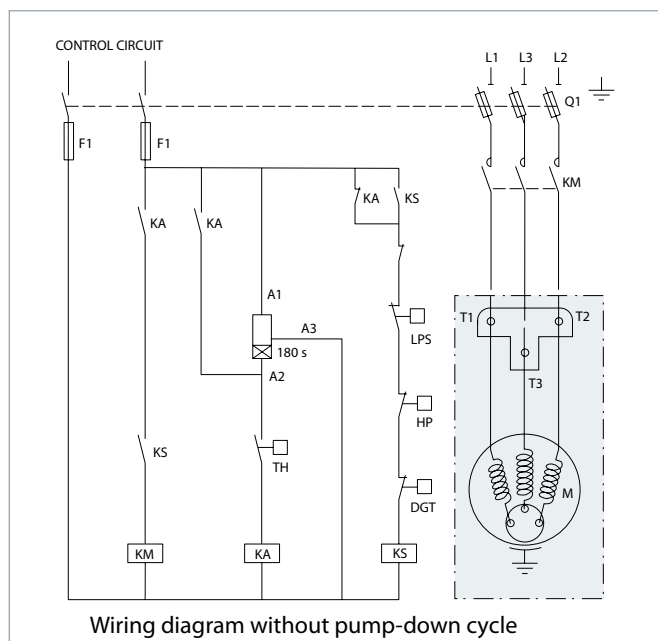
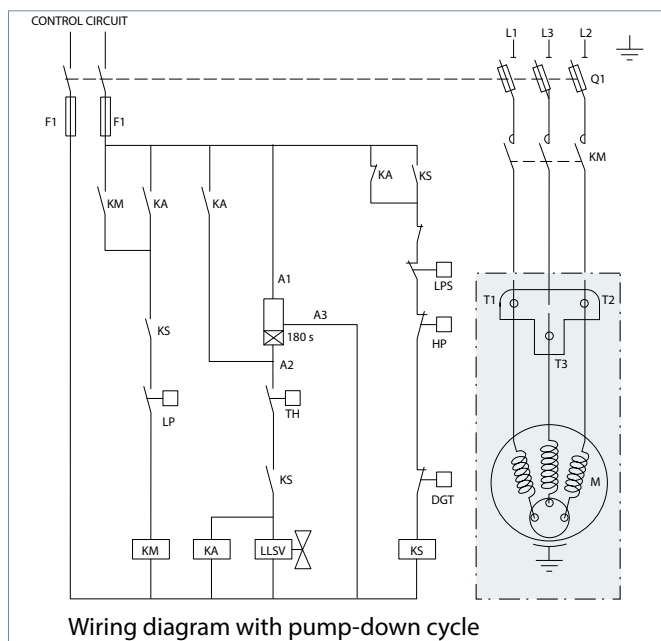
allow the system to build pressure. But it remains mandatory for compressor protection to apply an LP safety switch. The LP safety switch must never be bypassed.

Pressure settings for the LP and HP safety switch and pump-down listed in table from section "Low pressure".

When ever possible (i.e. PLC control), it is recommended to limit the possibilities of compressor auto restart to less than 3 to 5 times during a period of 12 hours when caused by motor protection or LP safety switch tripping. This control must be managed as a manual reset device.

Suggested wiring diagrams logic

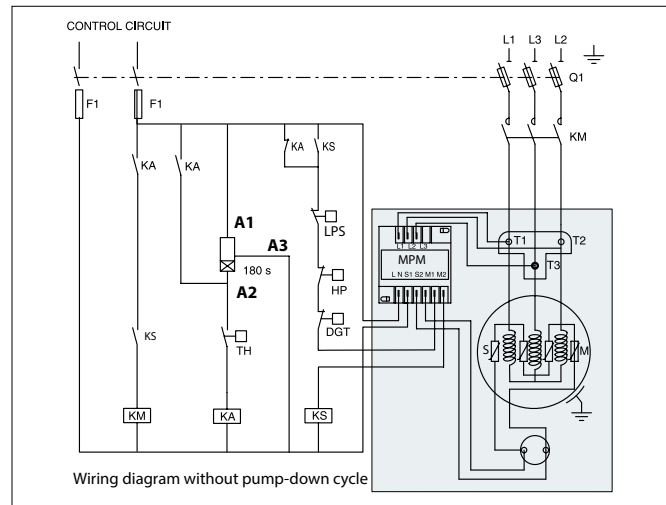
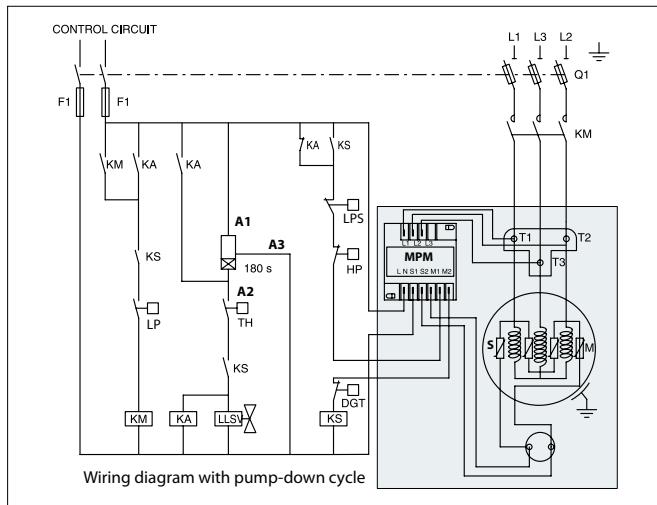
MLZ/MLM09



Legend

Fuses.....	F1	Liquid line solenoid valve	LLSV
Compressor contactor.....	KM	Discharge gas thermostat/thermistor.....	DGT
Control relay	KA	Fused disconnect	Q1
Safety lock out relay.....	KS	Motor safety thermostat.....	thM
Optional short cycle timer (3 mins)	180 s	Compressor motor	M
External overload protection.....	F2	Motor protection module	MPM
Pump-down pressure switch	LP	Thermistor chain.....	S
High-pressure safety switch.....	HP	Safety pressure switch.....	LPS
Control device.....	TH		

MLM/MLZ116 -130-160-200-240



Legend

- FusesF1
- Compressor contactor..... KM
- Control relay..... KA
- Safety lock out relay.....KS
- Optional short cycle timer (3 mins) 180 s
- External overload protection.....F2
- Pump-down pressure switchLP
- High-pressure safety switch..... HP
- Control device..... TH
- Liquid line solenoid valve LLSV
- Discharge gas thermostat/thermistors..... DGT
- Fused disconnect Q1
- Motor safety thermostat.....thM
- Compressor motorM
- Motor protection module.....MPM
- Thermistor chain..... S
- Safety pressure switch.....LPS

Motor protection

Compressor model	Overheating protection	Over current protection	Locked rotor protection	Phase reversal protection
------------------	------------------------	-------------------------	-------------------------	---------------------------

MLM/MLZ116 -130-160-200-240 Electronic module located in terminal box

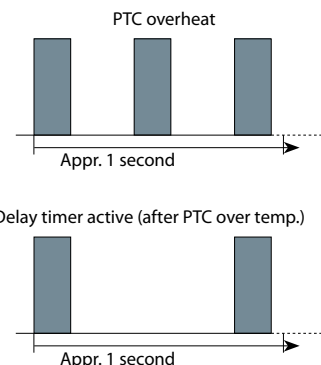
Compressor models MLM/MLZ116 -130-160-200-240 are delivered with a pre-installed motor protection module inside the terminal box. This device provides for efficient and reliable protection against overheating/overloading/phase loss/reversal.

The motor protector comprises a control module and PTC sensors embedded in the motor winding. The close contact between thermistors and windings ensures a very low level of thermal inertia.

The motor temperature is being constantly measured by a PTC thermistor loop connected on S1-S2. If any thermistor exceeds its response temperature, its resistance increases above the trip level (4,500 Ω) and the output relay then trips – i.e. contacts M1-M2 are open. After cooling to below the response temperature (resistance < 2,750 Ω), a 5-minute time delay is activated.

After this delay has elapsed, the relay is once again pulled in – i.e. contacts M1-M2 are closed. The time delay may be cancelled by means of resetting the mains (L-N -disconnect) for approximately 5 sec.

A red/green twin LED is visible on the module. A solid green LED denotes a fault-free condition. A blinking red LED indicates an identifiable fault condition:



Phase sequence and reverse rotation protection

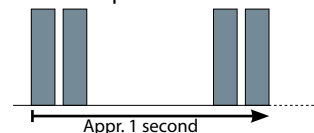
Use a phase meter to establish the phase orders and connect line phases L1, L2 and L3 to terminals T1, T2 and T3, respectively. The compressor will only operate properly in a single

direction, and the motor is wound so that if the connections are correct, the rotation will also be correct.

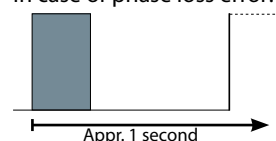
Compressor models MLM/MLZ116 -130-160-200-240 are delivered with an electronic module which provides protection against phase reversal and phase loss at start-up. Apply the recommended wiring diagrams from section "Suggested wiring diagram logic". The circuit should be thoroughly checked in order to determine the cause of the phase problem before re energizing the control circuit.

Should one of these parameters be incorrect, the relay would lock out (contact M1-M2 open). The red led on the module will show the following blink code:

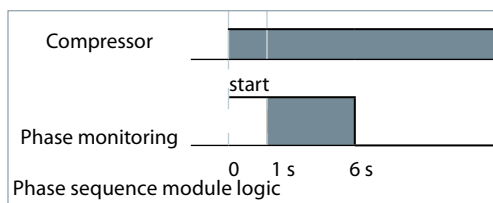
In case of phase reverse error:



In case of phase loss error:



The phase sequencing and phase loss monitoring functions are active during a 5-sec window 1 second after compressor start-up (power on L1-L2-L3).



The lockout may be cancelled by resetting the power mains (disconnect L-N) for approximately 5 seconds.

Voltage imbalance

The operating voltage limits are shown in the table section "Motor voltage". The voltage applied to the motor terminals must lie within these table limits during both start-up and normal operations. The maximum allowable voltage

imbalance is 2%. Voltage imbalance causes high amperage over one or several phases, which in turn leads to overheating and possible motor damage. Voltage imbalance is given by the formula:

$$\% \text{ voltage imbalance} = \frac{|V_{avg} - V_{1-2}| + |V_{avg} - V_{1-3}| + |V_{avg} - V_{2-3}|}{2 \times V_{avg}} \times 100$$

Vavg = Mean voltage of phases 1, 2, 3.

V1-3 = Voltage between phases 1 and 3.

V1-2 = Voltage between phases 1 and 2.

V2-3 = Voltage between phases 2 and 3.

Internal free volume

Product	Internal free volume without oil (liter)		
	Low pressure side	High pressure side	Total
MLM/MLZ090	13.6	0.7	14.3
MLM/MLZ116	28.8	2.5	31.3
MLM/MLZ130	28.5	2.5	31
MLM/MLZ160	34.1	5	39.1
MLM/MLZ200	34.1	5	39.1
MLM/MLZ240	35.3	5.1	40.4

The scroll compressor application range is influenced by several parameters which need to be monitored for a safe and reliable operation. These parameters and the main recommendations for good practice and safety devices are explained hereunder.

- **Refrigerant and lubricants**
- **Motor supply**
- **Compressor ambient temperature**
- **Application envelope** (evaporating temperature, condensing temperature, return gas temperature)

Refrigerant and lubricants
General information

When choosing a refrigerant, different aspects must be taken into consideration:

- Legislation (now and in the future)
- Safety
- Application envelope in relation to expected running conditions
- Compressor capacity and efficiency
- Compressor manufacturer recommendations & guidelines

Additional points could influence the final choice:

- Environmental considerations
- Standardization of refrigerants and lubricants
- Refrigerant cost
- Refrigerant availability

R22

R22 is an HCFC refrigerant and is still a wide use today. It has a low ODP (Ozone depletion potential) and therefore it will be phased out in the future. Check local legislation.

When R22 is applied in refrigeration applications it can lead to high discharge temperature. Carefully check all other parameters that can influence the discharge temperature.

R404A

R404A is an HFC refrigerant. R404A has zero ozone depletion potential (ODP = 0). R404A is especially suitable for low evaporating temperature applications but it can also be applied to medium evaporating temperature applications. R404A is a mixture and has a very

small temperature glide, and therefore must be charged in its liquid phase, but for most other aspects this small glide can be neglected. Because of the small glide, R404A is often called a near-azeotropic mixture.

R507

R507 is an HFO refrigerant with properties comparable to R404A. R507 has no ozone depletion potential (ODP = 0). As with R404A, R507 is particularly suitable for low evaporating

temperature applications but it can also be used for medium evaporating temperature applications. R507 is an azeotropic mixture with no temperature glide.

PVE

Polyvinyl ether (PVE) is an innovative refrigeration lubricant for HFC refrigerant systems. PVE is as hygroscopic as existing polyolester lubricants (POE), but PVE doesn't chemically react with water; no acids are formed and compressor evacuation is easier.

The compressor technology applied in MLZ compressors in combination with PVE lubricant provides the best possible result in terms of reliability and compressor lifetime.

Mineral oil

Mineral oil can be applied in system using HCFC refrigerant because it has a good miscibility with HCFC and oil that leave the compressor with refrigerant may not be trapped in lines or

exchangers. The chlorine contained in HCFCs improves lubricity in bearings used with mineral oil. Mineral oil has a very low hygroscopicity but may chemically react with water and form acids.

POE oil

Polyol Ester Oil (POE) is miscible with HFC's (while mineral oil is not), but has to be evaluated regarding lubricate ability in compressors. POE oil has better thermal stability than refrigerant mineral oil.

POE is more hygroscopic and also holds moisture more tightly than mineral oil. It also chemically react with water leading to acid and alcohol formation.

Motor supply

MLZ/MLM scroll compressors can be operated at nominal voltages as indicated in the table in the section "Motor voltage". Under-voltage and over-voltage operation is allowed within the indicated

voltage ranges. In case of risk of under-voltage operation, special attention must be paid to current draw.

Compressor ambient temperature

MLZ/MLM compressors can be applied from -35°C to 55°C ambient temperature. The compressors are designed as 100% suction gas

cooled without need for additional fan cooling. Ambient temperature has very little effect on the compressor performance.

High ambient temperature

In case of enclosed fitting and high ambient temperature it's recommend to check the temperature of power wires and conformity to their insulation specification.

In case of safe tripping by the internal compressor overload protection the compressor must cool down to about 60°C before the overload will reset. A high ambient temperature can strongly delay this cool-down process.

Low ambient temperature

Although the compressor itself can withstand low ambient temperature, the system may require specific design features to ensure safe

and reliable operation. See section 'Specific application recommendations'.

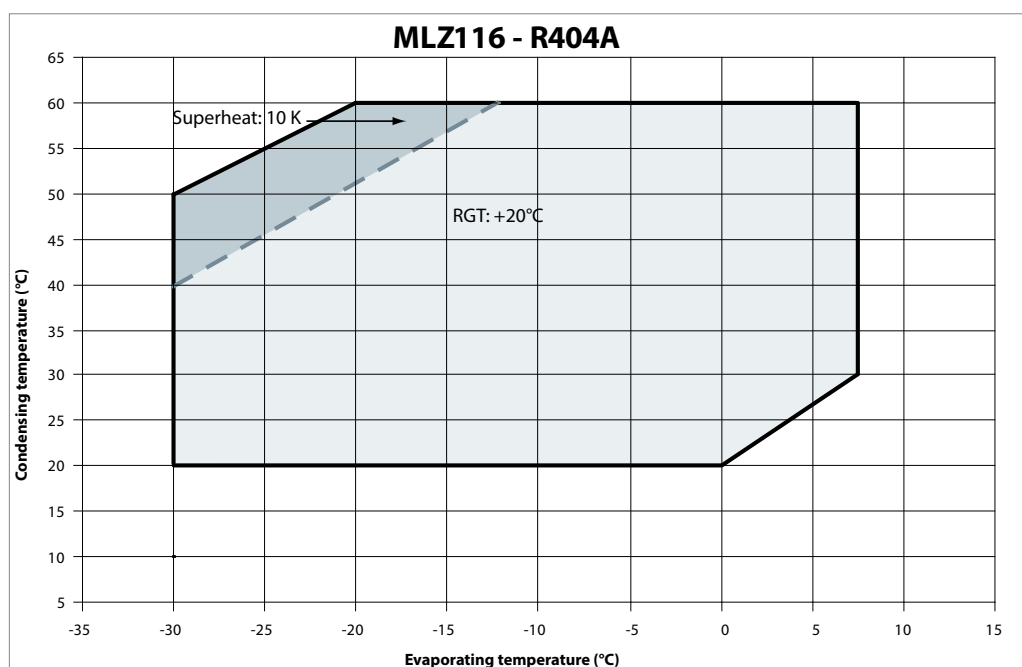
Application envelope

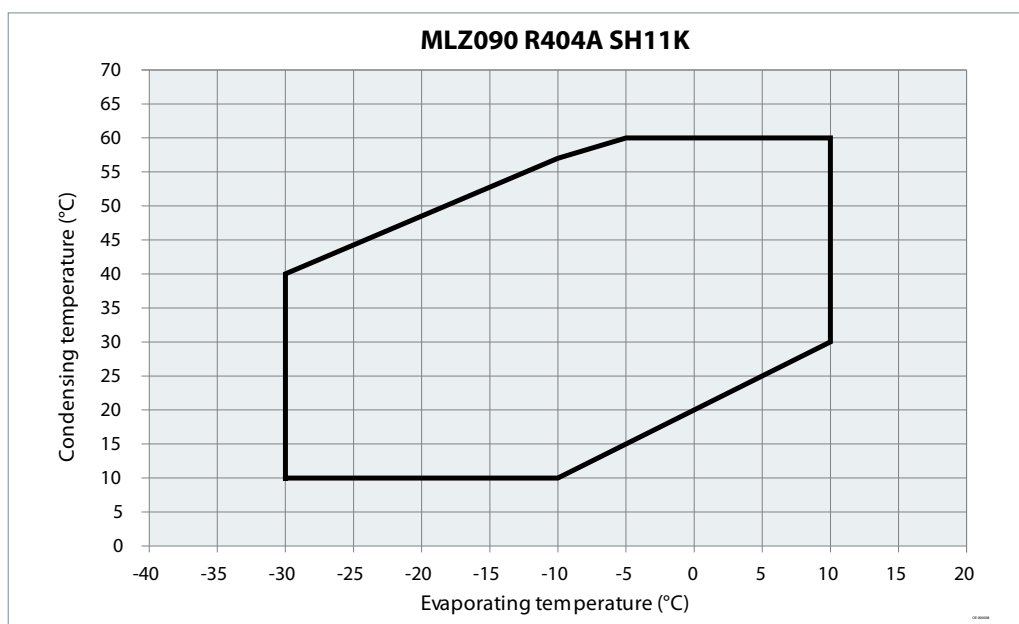
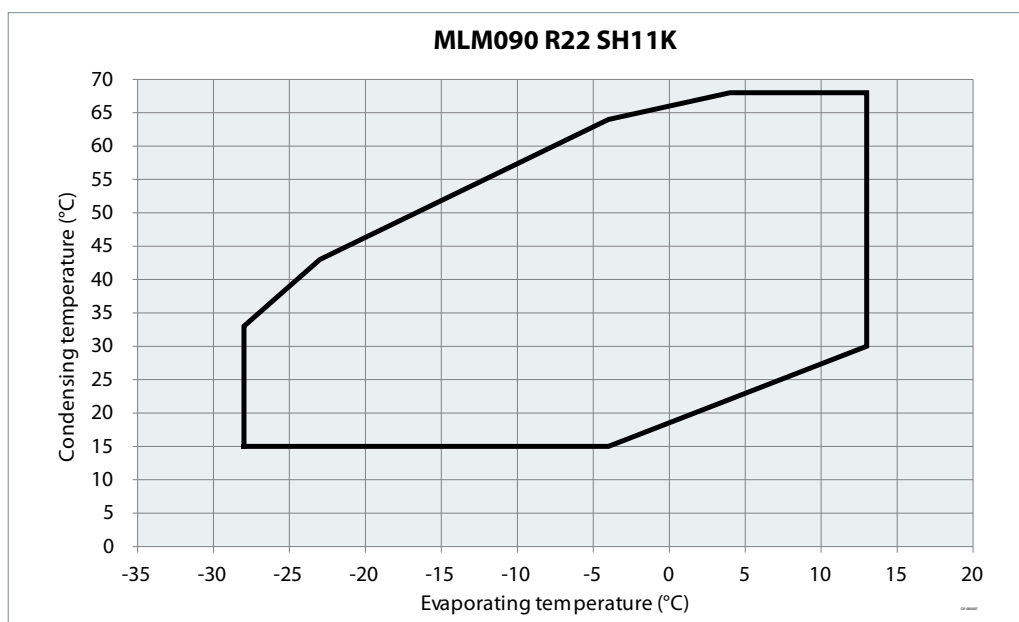
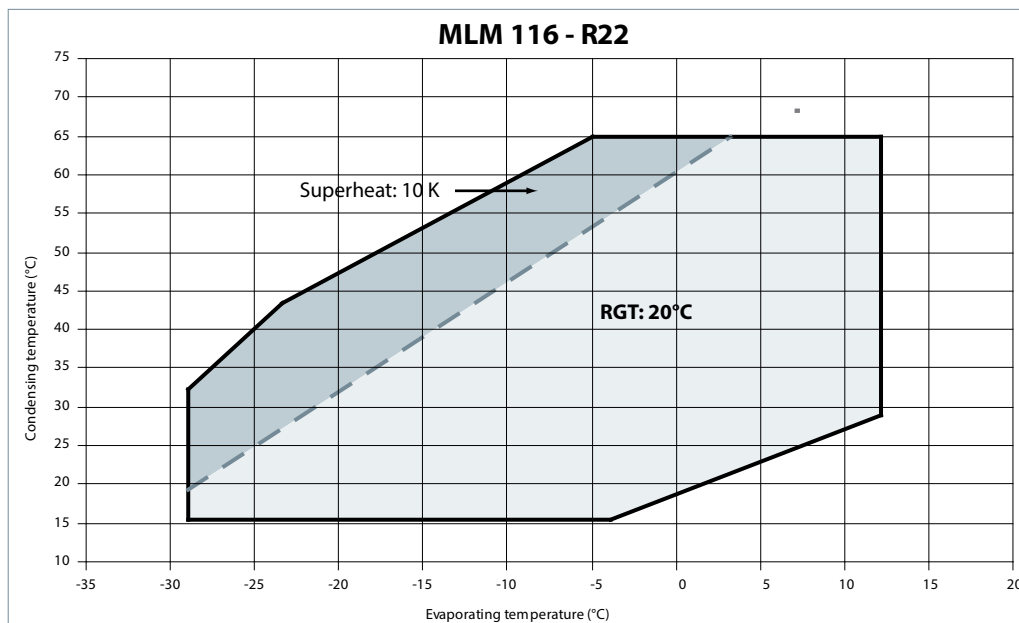
The operating envelopes for MLZ/MLM scroll compressors are given in the figures below, where the condensing and evaporating temperatures represent the range for steady-state operation. Under transient conditions, such as start-up and defrost, the compressor may operate outside this envelope for short periods.

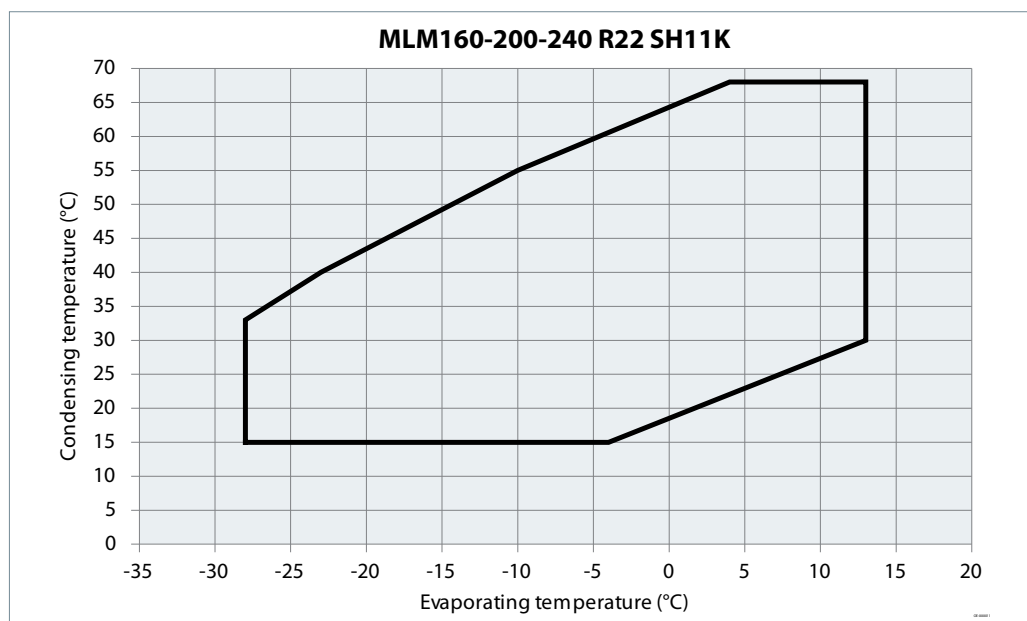
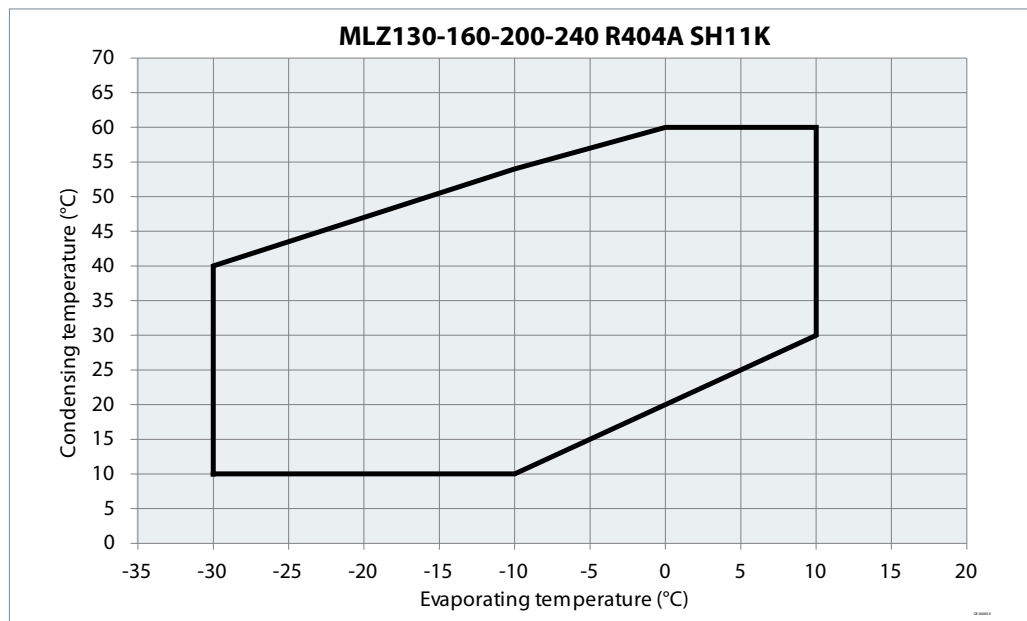
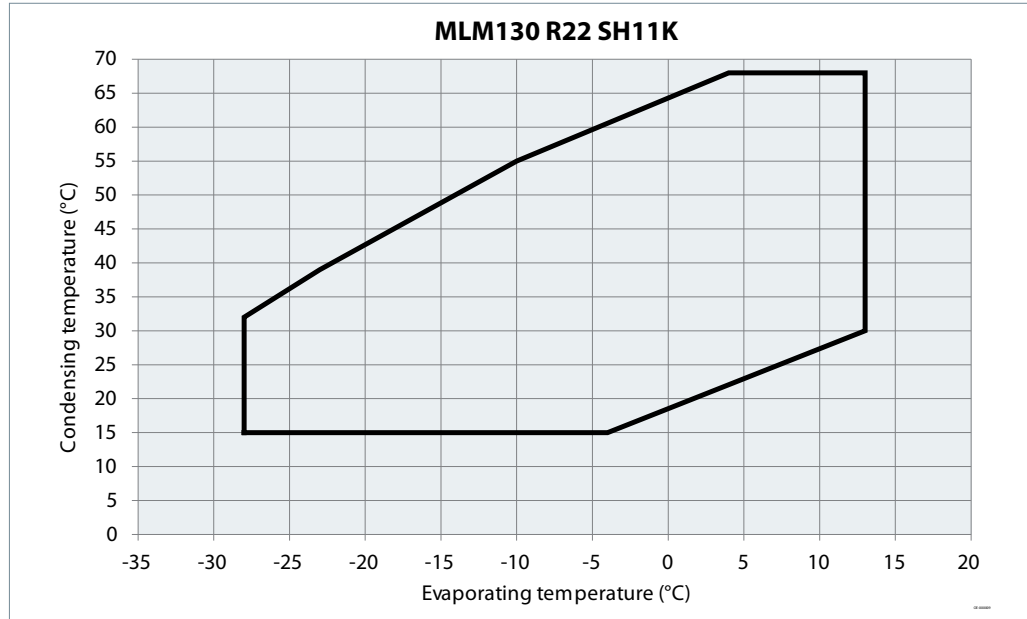
The figures below show the operating envelopes for MLZ/MLM compressors with refrigerants R404A and R22. The operating limits serve

to define the envelope within which reliable operations of the compressor are guaranteed:

- Maximum discharge gas temperature: +135°C.
- Minimum suction superheat should be above 5 K due to the risk of liquid flood-back.
- Attention to suction line insulation to reduce unuseful superheat.
- Minimum and maximum evaporating and condensing temperatures as per the operating envelopes.







Maximum discharge gas temperature

The discharge temperature depends mainly on the combination of evaporating temperature, condensing temperature and suction gas superheat. Discharge gas temperature should be controlled with an isolated thermocouple or

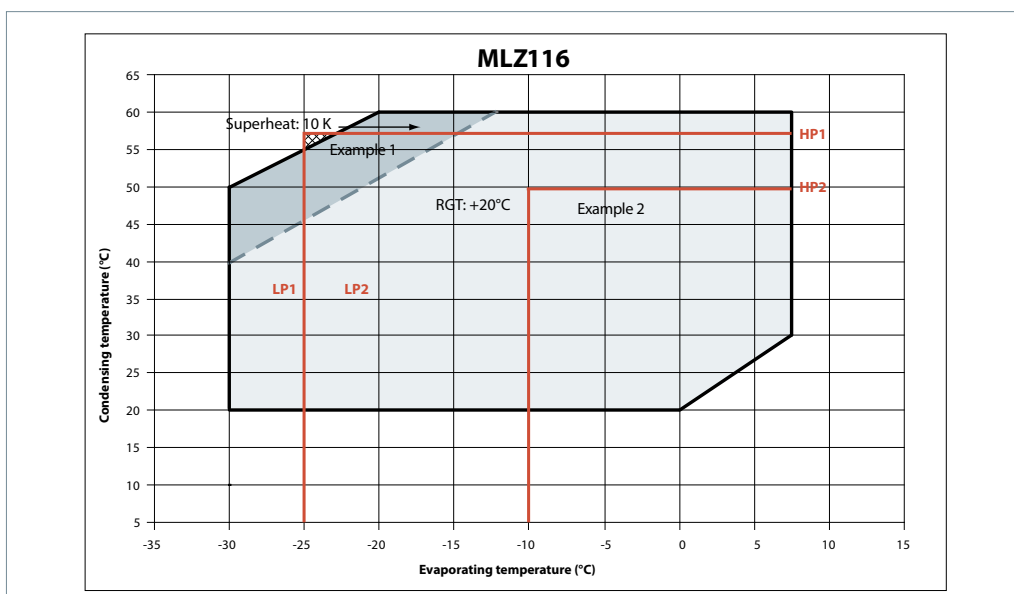
thermostat attached to the discharge line 15 cm (6 inches) from the compressor shell. Maximum discharge gas temperature must not exceed 135°C (275°F) when the compressor is running within the approved operating envelope.

Discharge gas temperature protection (DGT)

DGT protection is required if the high and low pressure switch settings do not protect the compressor against operations beyond its specific application envelope. Please refer to the examples below, which illustrate where DGT protection is required (n°1) and where it is not (n°2).

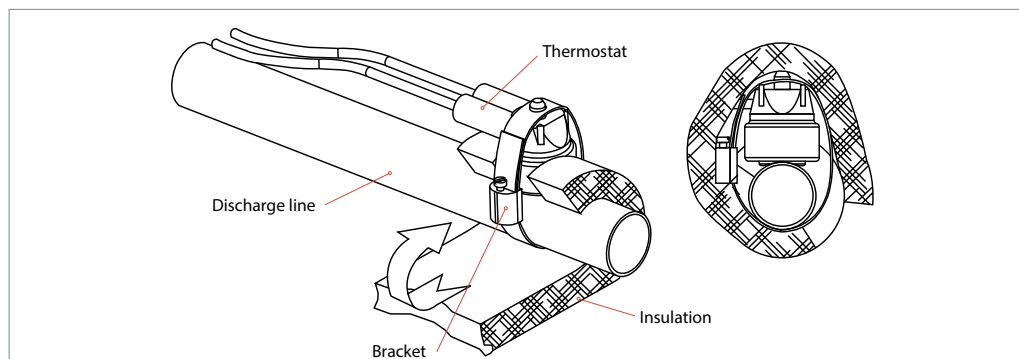
The compressor must not be allowed to cycle on the discharge gas thermostat. Continuous operations beyond the compressor’s operating range will cause serious damage to the compressor!

A DGT accessory is available from Danfoss: refer to section “Spare parts & accessories”.



Example 1 (R22, SH = 10 K)
 LP switch setting: LP1 = 1 bar (g) (-25°C)
 HP switch setting: HP1 = 21.8 bar (g) (58°C)
 ① The LP and HP switches don't protect sufficiently from operation outside the envelope. A DGT protection is required to avoid operation in the hatched area.

Example 2 (R22, SH = 10 K)
 LP switch setting: LP2 = 2.5 bar (g) (-10°C)
 HP switch setting: HP2 = 18 bar (g) (49°C)
 ② The LP and HP switches protect from operation outside the envelope. No DGT protection required.



High and low pressure protection

MLM/MLZ090-130-160-200-240		R22	R404A/R507A
Working pressure range high side	bar(g)	7.7~27.7	7.1~27.7
Working pressure range low side	bar(g)	0.7~6.2	1.0~7.2
Maximum high pressure safety switch setting	bar(g)	29	29
Minimum low pressure safety switch setting	bar(g)	0.5	0.8
Minimum low pressure pump-down switch setting*	bar(g)	MLM090:0.9 MLM160-240:0.7	MLZ090:1.3 MLZ160-240:1.0

* LP safety switch shall never have time delay.

MLM/MLZ116		R22	R404A
Working pressure range high side	bar (g)	7.1 - 26	9.9 - 27.7
Working pressure range low side	bar (g)	0.7 - 6.2	1.0 - 6.6
Maximum high pressure safety switch setting	bar (g)	27.1	29
Minimum low pressure safety switch setting*	bar (g)	0.5	0.8
Recommended pump-down switch settings		1.5 bar below nominal evaporating pressure	
Minimum low pressure pump-down switch setting	bar (g)	0.7	1.0

*LP safety switch shall never have time delay.

High pressure

For MLM/MLZ, a high pressure switch is required to shut down the compressor should the discharge pressure exceed the values shown in the table above.

The high-pressure switch can be set to lower values depending on the application and

ambient conditions. The HP switch must either be placed in a lockout circuit or consist of a manual reset device to prevent cycling around the high-pressure limit. If a discharge valve is used, the HP switch must be connected to the service valve gauge port, which must not be isolated.

Low pressure

A low pressure (LP) safety switch is recommended. MLZ/MLM scroll compressors exhibit high volumetric efficiency and may draw very low vacuum levels, which could induce scroll instability and electrical arcing at the internal cluster. The minimum low-pressure safety switch setting is given in the above table. For systems

without pump-down, the LP safety switch must either be a manual lockout device or an automatic switch wired into an electrical lockout circuit. The LP switch tolerance must not allow for vacuum operations of the compressor. LP switch settings for pump-down cycles with automatic reset are also listed in the table above.

On/off cycling (cycle rate limit)

Depending on the application, a number higher than 12 starts per hour can reduce the service life of the motor-compressor unit. A one-minute time out is recommended.

The system must be designed in a way that provides a minimum compressor running time

of 3 minutes so as to provide for sufficient motor cooling after start-up along with proper oil return. Note that the oil return may vary since it depends upon system design.

Danfoss recommends a restart delay timer to limit compressor cycling.

General

Successful application of scroll compressors is dependent on careful selection of the compressor for the application. If the compressor is not correct for the system, it will operate

beyond the limits given in this manual. Poor performance, reduced reliability, or both may result.

Essential piping design considerations

Proper piping practices should be employed to ensure adequate oil return, even under minimum load conditions with special consideration given to the size and slope of the tubing coming from the evaporator. Tubing returns from the evaporator should be designed so as not to trap oil and to prevent oil and refrigerant migration back to the compressor during off-cycles.

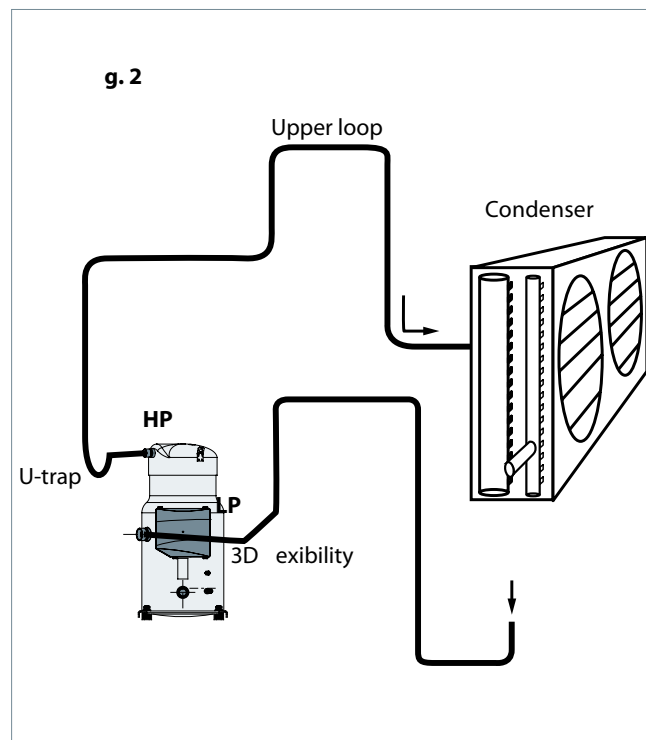
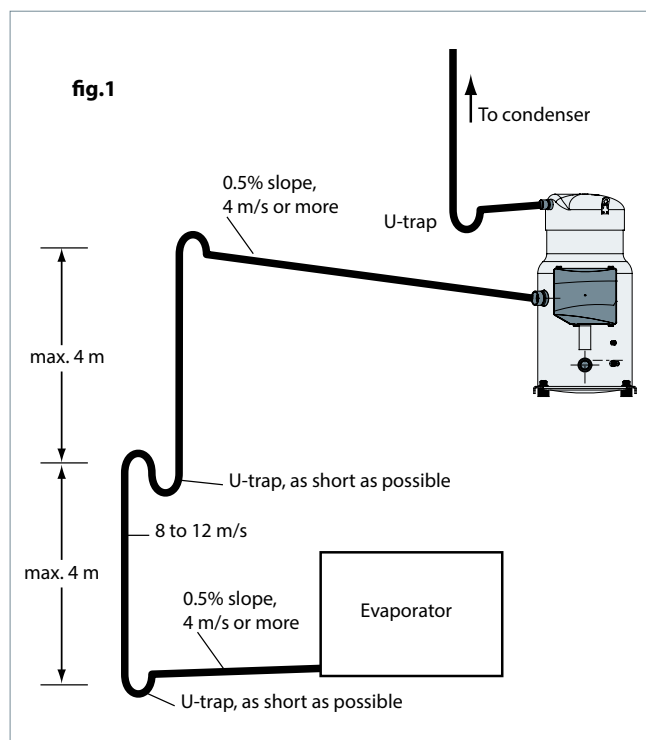
If the evaporator lies above the compressor the addition of a pump-down cycle is strongly recommended. If a pump-down cycle were to be omitted, the suction line must have a loop at the evaporator outlet to prevent refrigerant from draining into the compressor during off-cycles.

If the evaporator were situated below the compressor, the suction riser must be trapped to ensure the oil return to the compressor (see fig.1).

When the condenser is mounted at a higher position than the compressor, a suitably sized U-shaped trap close to the compressor is necessary to prevent oil leaving the compressor

from draining back to the discharge side of the compressor during off cycle. The upper loop also helps avoid condensed liquid refrigerant from draining back to the compressor when stopped (see fig. 2). The maximum elevation difference between the indoor and outdoor section cannot exceed 8 m. System manufacturers should specify precautions for any applications that exceed these limits to ensure compressor reliability.

Piping should be designed with adequate three dimensional flexibility (figure 2). It should not be in contact with the surrounding structure, unless a proper tubing mount has been installed. This protection proves necessary to avoid excess vibration, which can ultimately result in connection or tube failure due to fatigue or wear from abrasion. Aside from tubing and connection damage, excess vibration may be transmitted to the surrounding structure and generate an unacceptable sound level within that structure as well (for more information on sound and vibration, see the section on: "Sound and vibration management").



To ensure proper refrigerant and oil circulation, the speed limits in all pipes are generally recommended as follows:

- For vertical suction gas velocity: around 8-12 m/s;
- For horizontal suction gas velocity: no less than 4 m/s;

Refrigerant charge limit

MLZ/MLM scroll compressors can tolerate liquid refrigerant up to a certain extend without major problems. However, excessive liquid refrigerant in the compressor is always unfavorable for service life. Besides, the installation cooling capacity may be reduced because of the evaporation taking place in the compressor and/or the suction line instead of the evaporator. System design must be such that the amount of liquid refrigerant in the compressor is limited. In this respect, follow the guidelines given in the section: "essential piping

design recommendations" in priority. Use the tables below to quickly evaluate the required compressor protection in relation with the system charge and the application. More detailed information can be found in the paragraphs hereafter. If refrigerant charge exceeds the limit, a liquid receiver and suction accumulator will be essential to ensure that the system runs reliably. Please contact Danfoss for any deviation from these guidelines.

Model	Refrigerant charge limit (kg)
MLM/MLZ090	7.90
MLM/MLZ116	10.0
MLM/MLZ130	13.5
MLM/MLZ160	16.0
MLM/MLZ200	20.0
MLM/MLZ240	20.0

Depending on test results, crankcase heaters, Liquid Line Solenoid Valve, pump down or suction accumulator must be applied see below.

	BELOW charge limit	ABOVE charge limit
Packaged units	<input checked="" type="checkbox"/> No test or additional safeties required	REQ Off cycle migration test REQ Liquid flood back test
System with remote heat exchanger	REC Off cycle migration test	REQ Off cycle migration test REQ Liquid flood back test

REC Recommended **REQ** Required No test or additional safeties required

Note: for special conditions such as low ambient temperature, low load operation or brazed plate heat exchangers please refer to corresponding sections

Off-cycle migration

Off-cycle refrigerant migration is likely to occur when the compressor is located at the coldest part of the installation, when the system uses a bleed-type expansion device, or if liquid could migrate from the evaporator into the compressor sump by gravity. If too much liquid refrigerant accumulates in the sump it will saturate the oil and lead to a flooded start: when the compressor starts, the refrigerant evaporates abruptly

under the sudden decrease of the bottom shell pressure, causing the oil to foam. In extreme situations, this might result in too much oil leaving the compressor, which must be avoided as it causes irreversible damages due to possible lack of lubrication. MLZ/MLM scroll compressors can tolerate occasional flooded starts as long as the system has been evaluated.

A suitable test to evaluate the risk of off-cycle migration is the following:

- Stabilize the non-running system at 5°C ambient temperature.
- Raise the ambient temperature to 20°C and maintain it for 10 minutes.
- Start the compressor and monitor sump temperature, sight glass indication and sound level.

The presence of liquid in the crankcase can be easily detected by checking the sump level through the oil sight glass. Foam in the oil sump indicates a flooded start.

A noisy start, oil loss from the sump and sump cool down are indications for migration. Depending on the amount of migration graduate measures shall be taken:

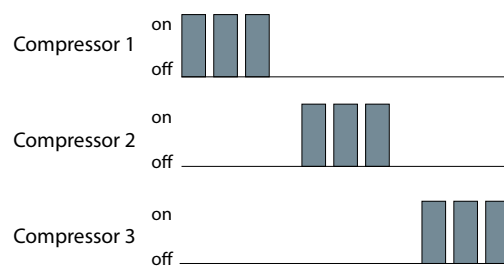
- **Sump heater**
- **Liquid line solenoid valve**
- **Pump down cycle (mandatory for refrigeration application)**

Sump heater

The surface sump heaters are designed to protect the compressor against off-cycle migration of refrigerant.

When the compressor is idle, the oil temperature in the sump of the compressor must be maintained at no lower than 10 K above the saturation temperature of the refrigerant on the low-pressure side. This requirement ensures that the liquid refrigerant is not accumulating in the sump. A sump heater is only effective if capable of sustaining this level of temperature difference. Tests must be conducted to ensure that the appropriate oil temperature is maintained under all ambient conditions (temperature and wind). Note that below -5°C ambient temperature and a wind speed of above 5 m/second, we recommend that the heaters be thermally insulated in order to limit the surrounding energy losses. Since the total system charge may be undefined, a sump heater is recommended on all stand-alone compressors and split systems. In addition, any system containing a refrigerant charge in excess of the maximum recommended system charge for compressors requires a sump heater.

At initial start-up or after power shortage, it is recommended to energize surface sump heater to remove refrigerant 6 hours in advance. A quicker start-up is possible by "jogging" the compressor to evacuate refrigerant in the compressor. Start the compressor for 1 second, then wait for 1 to 2 minutes. This operation must be repeated for each compressor individually:

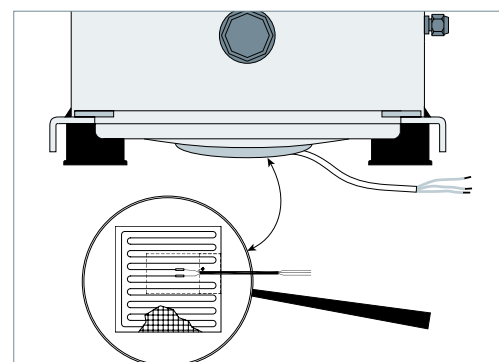


After 3 or 4 jogs the compressor can be started.

The heater must be energized whenever the compressor is off to avoid liquid refrigerant entering the compressor.

Provide separate electrical supply for the heaters so that they remain energized even when the machine is out of service (e.g. seasonal shutdown).

Surface sump heater accessories are available from Danfoss (see section "Accessories").



Surface Sump heater (SSH)

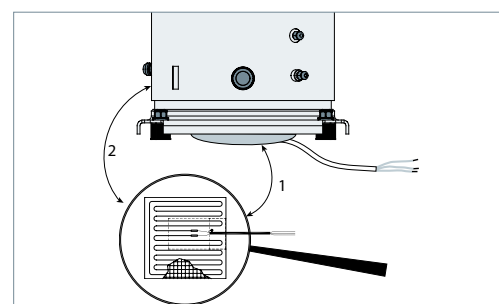
The surface sump heaters are designed to protect the compressor against off-cycle migration of refrigerant.

Additional heater power or thermal insulation around compressor might be needed in case of ambient temperature below -5°C and a wind speed above 5m/second.

R MLM/MLZ090-240 model Extra SSH is necessary when ambience extra SSH is necessary when ambience is below -13°C and it should be located on the middle shell next to oil sump.

The heater must be turned on whenever all the compressors are off.

Surface sump heater accessories are available from Danfoss.



Model	T _{ambiance}	SSH	Location
MLM/MLZ 090-130-160-200-240	-13~-5	80W	1
MLM/MLZ 090-130-160-200-240	-13~-23	80W	1+2

Liquid line solenoid valve (LLSV): This feature is very convenient and can be used on all types of applications.

An LLSV is used to isolate the liquid charge in the high pressure side, thereby preventing against

charge transfer or excessive migration to the compressor during off-cycles. The quantity of refrigerant remaining in the low-pressure side of the system can be further reduced by using a pump-down cycle in association with the LLSV.

Pump-down cycle: Once the system has reached its set point and is about to shut off, the LLSV on the liquid line closes. The compressor then pumps the majority of the refrigerant charge into the high pressure side before the system stops on the low pressure pump-down switch. This step reduces the amount of charge on the low side in order to prevent off-cycle migration.

A pump-down cycle represents one of the most effective ways to protect against the off-cycle migration of refrigerant; however it is only convenient to apply on application with thermostatic control.

For MLM/MLZ, pump down cycle is mandatory to use.

Rack application with pressostatic control can use timer delay to empty the evaporators before the stop. Time should be carefully set to not interfere with the low safety pressure switch.

For low pressure pump-down switch settings, refer to section "High and low pressure protection". For suggested wiring diagrams, please see section "Electrical data".

Under certain conditions, the internal valve may not completely seal, and due to the refrigerant back flow the compressor might restart during pump-down applications. Repeated short cycling can result in a compressor breakdown.

Tests for pump down cycle approval:

- As the pump-down switch setting is inside the application envelope, tests should be carried out to check unexpected cut-out during transient conditions (i.e. defrost – cold starting). When unwanted cut-outs occur, the low pressure pump-down switch can be delayed. In this case a low pressure safety switch without any delay timer is mandatory.
- While the thermostat is off, the number of pressure switch resets should be limited to avoid short cycling of the compressor. Use dedicated wiring and an additional relay which allows for one shot pump-down.

The pump-down allows storage of all the refrigerant in the high pressure side circuit. On unitary or close-coupled systems, where the system refrigerant charge is expected to be both correct and definable the entire system charge may be stored in the condenser during pump-down if all components have been properly sized.

Other application needs a liquid receiver to store the refrigerant.

Receiver dimensioning requires special attention. The receiver shall be large enough to contain part of the system refrigerant charge but it shall not be dimensioned too large. A large receiver easily leads to refrigerant overcharging during maintenance operation.

Liquid flood back

During normal operation, refrigerant enters the compressor as a superheated vapor. Liquid flood back occurs when a part of the refrigerant entering the compressor is still in liquid state.

A continuous liquid flood back will cause oil dilution and, in extreme situations lead to lack of lubrication and high rate of oil leaving the compressor.

Liquid flood back test - Repetitive liquid flood back testing must be carried out under TXV threshold operating conditions: a high pressure ratio and minimum evaporator load, along with the measurement of suction superheat, oil sump temperature and discharge gas temperature.

the discharge gas temperature be less than 35 K above the saturated discharge temperature, this indicates liquid flood back.

During operations, liquid flood back may be detected by measuring either the oil sump temperature or the discharge gas temperature. If at any time during operations, the oil sump temperature drops to within 10 K or less above the saturated suction temperature, or should

Continuous liquid flood back can occur with a wrong dimensioning, a wrong setting or malfunction of the expansion device or in case of evaporator fan failure or blocked air filters.

A suction accumulator providing additional protection as explained hereunder can be used to solve light continuous liquid flood back.

Suction accumulator: a suction accumulator offers protection against refrigerant flood back at start-up, during operations or defrosting by trapping the liquid refrigerant upstream from the compressor. The suction accumulator also protects against off-cycle migration by providing

additional internal free volume to the low side of the system. For MLZ/MLM116 application, suction accumulator is mandatory to use.

A suction accumulator must be carefully dimensioned, taking into account the refrigerant

charge as well as the gas velocity in the suction line. Depending on the operating conditions it may happen that the recommended connections of the accumulator are one size smaller than the suction line.

Selection of a suction line accumulator should be made on the basis of the following three capabilities:

1. The accumulator should have an adequate liquid-holding capacity that can vary with the

system. Normally this should not be less than 50% of the system charge. If possible, this value should be checked based on actual tests.

2. The accumulator should perform without adding excessive pressure drop to the system.
3. An accumulator should have the capability of returning oil at the proper rate and under a range of load conditions.

Guideline of suction accumulator needs to be respected in making a selection.

Low ambient application

Low ambient start-up

Under cold ambient conditions (<0°C), upon start-up the pressure in the condenser may be so low that a sufficient pressure differential across the expansion device cannot be developed to properly feed the evaporator.

As a result, the compressor may go into a deep vacuum, which can lead to compressor failure due to internal arcing and instability in the scroll wraps. Under no circumstances should the compressor be allowed to operate under vacuum. The low-pressure control must be set in accordance with the table in the section "high and low pressure protection" in order to prevent

this from happening.

Early feeding of the evaporator and management of the discharge pressure could help to attenuate these effects.

Low pressure differentials can also cause the expansion device to "hunt" erratically, which might cause surging conditions within the evaporator, with liquid spillover into the compressor. This effect is most pronounced during low load conditions, which frequently occur during low ambient conditions.

Low ambient operations

It is recommended that the unit be tested and monitored at minimum load and low ambient conditions as well. The following considerations should be taken into account to ensure proper system operating characteristics.


The expansion device should be sized to ensure proper control of the refrigerant flow into the evaporator. An oversized valve may result in erratic control. This consideration is especially important in manifolded units where low load conditions may require the frequent cycling of compressors. This can lead to liquid refrigerant entering the compressor if the expansion valve does not provide stable refrigerant super-heat control under varying loads.

The superheat setting of the expansion device should be sufficient to ensure proper superheat levels during low loading periods. A minimum of 5 K stable superheat is required.

Head pressure control under low ambient conditions: Several possible solutions are available to prevent the risk of compressor to vacuum and low pressure differential between the suction and discharge pressures.

In air-cooled machines, cycling the fans with a head pressure controller will ensure that the fans remain off until the condensing pressure has reached a satisfactory level. Variable speed fans can also be used to control the condensing pressure. In water-cooled units, the same can be performed using a water regulator valve that is also operated by head pressure, thereby ensuring that the water valve does not open until the condensing pressure reaches a satisfactory level. The minimum condensing pressure must be set at the minimum saturated condensing temperature shown in the application envelopes.

Under very low ambient conditions, in which testing has revealed that the above procedures might not ensure satisfactory condensing and suction pressures, the use of a head pressure control valve is recommended. Note: This solution requires extra refrigerant charge, which can introduce other problems. A non-return valve in the discharge line is recommended and special care should be taken when designing the discharge line.

 For MLM/MLZ090-130-160-200-240, non-return valve is mandatory.

For further information, please contact Danfoss.

Scroll and reciprocating

Unlike the reciprocating compressor, a scroll doesn't have dead volume. Neither does it have a suction valve causing pressure drop. As a result a scroll compressor has a high volumetric efficiency even at low suction pressure. In systems such as ice makers and milk cooling tanks this high capacity at low temperature shortens the cooling time.

When moving from a reciprocating compressor to a scroll compressor, the selection shall always be made based on cooling capacity at the application rating point. Never make a selection based on equivalent displacement.

Low load operations

The compressor should be run for a minimum period to ensure that the oil has sufficient time to properly return to the compressor sump and

that the motor receives enough cooling under conditions of lowest refrigerant mass flow.

Brazed plate heat exchangers

A brazed plate heat exchanger needs very little internal volume to satisfy the heat transfer requirements. Consequently, the heat exchanger offers very little internal volume for the compressor to draw vapor from the suction side. The compressor can then quickly enter into a vacuum condition. It is therefore important that the expansion device be sized correctly and that a sufficient pressure differential across the expansion device be available to ensure adequate refrigerant feed into the evaporator. This aspect is of special concern when operating the unit under low ambient and load conditions. For further information on these conditions, please refer to the previous sections.

Due to the small volume of the brazed plate heat exchanger, no pump-down cycle is normally required. The suction line running from the heat exchanger to the compressor must be trapped to avoid refrigerant migration to the compressor.

When using a brazed plate condenser heat exchanger, a sufficient free volume for the discharge gas to accumulate is required in order to avoid excess pressure build-up. At least 1 meter of discharge line is necessary to generate this volume. To help reduce the discharge gas volume immediately after start-up, the supply of cooling water to the heat exchanger may be opened before the compressor starts, to remove superheat and condense the incoming discharge gas more quickly.

Water utilising systems

Apart from residual moisture in the system after commissioning, water could also enter the refrigeration circuit during operation. Water in the system shall always be avoided. Not only because it can shortly lead to electrical failure, sludge in sump and corrosion but in particular because it can cause serious safety risks.

Common causes for water leaks are corrosion and freezing.

Corrosion: Materials in the system shall be compliant with water and protected against corrosion.

Freezing: When water freezes into ice its volume expands which can damage heat exchanger walls and cause leaks. During off periods water inside heat exchangers could start freezing when ambient temperature is lower than 0°C. During on periods ice banking could occur when the circuit is running continuously at too low load. Both situations should be avoided by connecting a pressure and thermostat switch in the safety line.

Starting sound level

During start-up transients it is natural for the compressor sound level to be slightly higher than during normal running. MLZ/MLM scroll compressors exhibit very little increased start-up transient sound. If a 3-phase model is miswired, the compressor will run in reverse. Reverse

compressor rotation is characterized by an objectionable sound. To correct reverse rotation, disconnect power and switch any two of the three power leads at the unit contactor. Never switch leads at the compressor terminals.

Running sound level

MLZ/MLM are designed with features to reduce the sound level when a compressor is running.

Sound levels are at rated (medium temperature) conditions.

Model	Sound level (dBA) -50Hz - -10/45/30/0			
	R22		R404A&R507A	
	Nominal	Max	Nominal	Max
MLM/MLZ090	76	79	76	79
MLM/MLZ116	82	85	84	87
MLM/MLZ130	86	89	86	89
MLM/MLZ160	88	91	88	91
MLM/MLZ200	88	91	88	91
MLM/MLZ240	91	94	91	94

Stopping sound level

MLZ/MLM have a unique discharge valve design that minimizes stopping noise. This results in very

low shutdown sound.

Sound generation in a refrigeration system

Typical sound and vibration in refrigeration systems encountered by design and service engineers may be broken down into the following three source categories.

Sound radiation: This generally takes an airborne path.

Mechanical vibrations: These generally extend along the parts of the unit and structure.

Gas pulsation: This tends to travel through the cooling medium, i.e. the refrigerant.

The following sections will focus on the causes and methods of mitigation for each of the above sources.

Compressor sound radiation

For sound radiating from the compressor, the emission path is airborne and the sound waves are travelling directly from the machine in all directions.

The MLZ/MLM scroll compressors are designed to be quiet and the frequency of the sound generated is pushed into the higher ranges, which not only are easier to reduce but also do not generate the penetrating power of lower frequency sound.

Use of sound-insulation materials on the inside of unit panels is an effective means of substantially reducing the sound being transmitted to the outside. Ensure that no components capable of transmitting sound/vibration within the unit come into direct contact with any non insulated parts on the walls of the unit.

Because of the unique design of a full-suction gas & oil cooled motor, compressor body insulation across its entire operating range is possible.

Mechanical vibrations

Vibration isolation constitutes the primary method for controlling structural vibration. MLZ/MLM scroll compressors are designed to produce minimal vibration during operations. The use of rubber isolators on the compressor base plate or on the frame of a manifolded unit is very effective in reducing vibration being transmitted from the compressor(s) to the unit. Rubber grommets are supplied with all MLZ/MLM compressors. Once the supplied rubber grommets have been properly mounted, vibration transmitted from the compressor base plate to the unit are held to a strict minimum.

In addition, it is extremely important that the frame supporting the mounted compressor be of sufficient mass and stiffness to help dampen any residual vibration potentially transmitted to the frame. The tubing should be designed so as to both reduce the transmission of vibrations to other structures and withstand vibration without incurring any damage. Tubing should also be designed for three-dimensional flexibility. For more information on piping design, please see the section entitled "Essential piping design considerations".

Gas pulsation

The MLZ/MLM scroll compressors have been designed and tested to ensure that gas pulsation has been minimized for the most commonly encountered refrigeration pressure ratio. On installations where the pressure ratio lies beyond the typical range, testing should be conducted under all expected conditions and operating

configurations to ensure that minimum gas pulsation is present. If an unacceptable level is identified, a discharge muffler with the appropriate resonant volume and mass should be installed. This information can be obtained from the component manufacturer.

Each MLZ/MLM compressor is shipped with printed Instructions for installation. These Instructions can also be downloaded from our web site

www.danfoss.com or directly from:
<http://instructions.cc.danfoss.com>

System cleanliness

The refrigeration system, regardless of the type of compressor used, will only provide high efficiency and good reliability, along with a long operating life, if the system contains solely the refrigerant and oil it was designed for. Any other substances within the system will not improve performance and, in most cases, will be highly detrimental to system operations.

The presence of non-condensable substances and system contaminants, such as metal shavings, solder and flux, have a negative impact on compressor service life. Many of these contaminants are small enough to pass through a

mesh screen and can cause considerable damage within a bearing assembly. The use of highly hygroscopic PVE oil in MLZ compressors requires that the oil be exposed to the atmosphere just as little as possible.

During the manufacturing process, circuit contamination may be caused by:

- Brazing and welding oxides,
- Filings and particles from the removal of burrs in pipe-work,
- Brazing flux,
- Moisture and air.

Compressor handling and storage

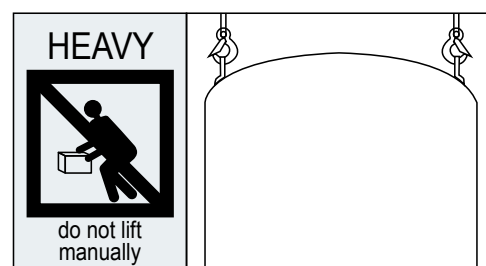
Each Danfoss MLM/MLZ scroll compressor is equipped with two lift rings on the top shell. Always use both these rings when lifting the compressor. Use lifting equipment rated and certified for the weight of the compressor. A spreader bar rated for the weight of the compressor is highly recommended to ensure a better load distribution. The use of lifting hooks closed with a clasp and certified to lift the weight of the compressor is also highly recommended. Always respect the appropriate rules concerning lifting objects of the type and weight of these compressors. Maintain the compressor in an upright position during all handling manoeuvres (maximum of 15° from vertical).

Never use only one lifting lug to lift the compressor. The compressor is too heavy for the single lug to handle, and the risk is run that the lug could separate from the compressor with extensive damage and possible personal injury as a result.

Store the compressor not exposed to rain, corrosive or flammable atmosphere and between -35°C and 70°C when charged with nitrogen.

When the compressor is mounted as part of an installation, never use the lift rings on the compressor to lift the installation. The risk is run that the lugs could separate from the compressor or that the compressor could separate from the base frame with extensive damage and possible personal injury as a result.

Never apply force to the terminal box with the intention of moving the compressor, as the force placed upon the terminal box can cause extensive damage to both the box and the components contained inside.



Compressor mounting

Maximum inclination from the vertical plane, while operating must not exceed 7 degrees. All compressors are delivered with 4 rubber grommets and metal sleeves. Compressors

must always be mounted with these grommets. Recommended torque for mounting bolts: 21 Nm (± 1 Nm).

Compressor holding charge

Each compressor is shipped with a nominal dry nitrogen holding charge between 0.3 and 0.7 bar and is sealed with elastomer plugs.

Before the suction and discharge plugs are removed, the nitrogen holding charge must be released via the suction Schrader valve to avoid an oil mist blowout. Remove the suction plug

first and the discharge plug afterwards. The plugs shall be removed only just before connecting the compressor to the installation in order to avoid moisture from entering the compressor. When the plugs are removed, it is essential to keep the compressor in an upright position so as to avoid oil spillage.

Tube brazing procedure

Do not bend the compressor discharge or suction lines or force system piping into the compressor connections, because this will increase

stresses that are a potential cause of failure. Recommended brazing procedures and material, are described on following page.

Brazing material

For copper suction and discharge fittings, use copper-phosphorus brazing material. Sil-Fos® and other silver brazing materials are also acceptable.

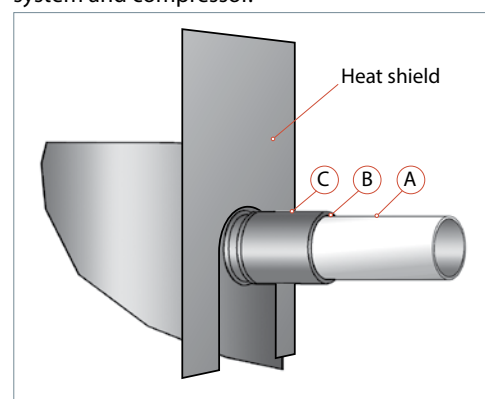
If flux is required for the brazing operation, use coated rod or flux core wire. To avoid system contamination, do not brush flux on.

Compressor connection

When brazing the compressor fittings, do not overheat the compressor shell, which could severely damage certain internal components due to excessive heating. Use of a heat shield and/or a heat-absorbent compound is highly recommended. For brazing the suction and discharge connections, the following procedure is advised:

- Make sure that no electrical wiring is connected to the compressor.
- Protect the terminal box and compressor painted surfaces from torch heat damage (see diagram).
- Use only clean refrigeration-grade copper tubing and clean all connections.
- Purge nitrogen through the compressor in order to prevent against oxidation and flammable conditions. The compressor should not be exposed to the open air for extended periods.
- Use of a double-tipped torch is recommended.
- Apply heat evenly to area **A** until the brazing temperature is reached. Move the torch to area **B** and apply heat evenly until the brazing temperature has been reached there as well, and then begin adding the brazing material. Move the torch evenly around the joint, in applying only enough brazing material to flow the full circumference of the joint.
- Move the torch to area **C** only long enough to draw the brazing material into the joint, but not into the compressor.
- Remove all remaining flux once the joint has been soldered with a wire brush or a wet cloth. Remaining flux would cause corrosion of the tubing.

Ensure that no flux is allowed to enter into the tubing or compressor. Flux is acidic and can cause substantial damage to the internal parts of the system and compressor.



The PVE oil used in MLZ compressors is highly hygroscopic and will rapidly absorb moisture from the air. The compressor must therefore not be left open to the atmosphere for a long period of time. The compressor fitting plugs shall be removed just before brazing the compressor.

⚠ Before eventual unbrazing the compressor or any system component, the refrigerant charge must be removed from both the high and low pressure sides. Failure to do so may result in serious personal injury. Pressure gauges must be used to ensure all pressures are at atmospheric level.

For more detailed information on the appropriate materials required for brazing or soldering, please contact the product manufacturer or distributor. For specific applications not covered herein, please contact Danfoss for further information.

Vacuum evacuation and moisture removal

Moisture obstructs the proper functioning of the compressor and the refrigeration system.

Air and moisture reduce service life and increase condensing pressure, and cause excessively high discharge temperatures, which can destroy the lubricating properties of the oil. Air and moisture also increase the risk of acid formation, giving rise to copper plating. All these phenomena can cause mechanical and electrical compressor failure.

For these reasons it's important to perform a vacuum dehydration on the system to remove all residual moisture from the pipe-work after assembly;

MLZ and MLM compressors are delivered with < 100 ppm moisture level. The required moisture level in the circuit after vacuum dehydration must be < 100 ppm for systems with an MLZ and < 300 ppm for systems with an MLM compressor.

- Never use the compressor to evacuate the system.
- Connect a vacuum pump to both the LP & HP sides.
- Evacuate the system to a pressure of 500 µm Hg (0.67 mbar) absolute.
- Do not use a megohmmeter nor apply power to the compressor while it's under vacuum as this may cause internal damage.

System pressure test

Always use an inert gas such as nitrogen for pressure testing. Never use other gasses such as oxygen, dry air or acetylene as these may form

an inflammable mixture. Do not exceed the following pressures:

Maximum compressor test pressure (low side)	25 bar (g)
Maximum compressor test pressure (high side)	31 bar (g)
Maximum pressure difference between high and low side of the compressor	24 bar

Pressurize the system on HP side first then LP side to prevent rotation of the scroll. Never let

the pressure on LP side exceed the pressure on HP side with more than 5 bar.

Liquid line filter driers

The proper size & type of drier is required. Important selection criteria include the driers water content capacity, the system refrigeration capacity, and the system refrigerant charge. The drier must be able to reach and maintain a moisture level of 50 ppm end point dryness (EPD). Danfoss recommends DCL (solid core) driers for the MLM compressor (R22 with mineral oil) and DML (100% molecular sieve) driers for MLZ compressors (R404A,) with PVE oil.

For servicing of existing installations where acid formation may be present, the Danfoss DCL solid core filter drier containing activated alumina is recommended.

After burn out, remove & replace the liquid line filter drier and install a Danfoss type DAS burnout drier of the appropriate capacity. Refer to the DAS drier instructions and technical information for correct use of the burnout drier on the liquid line.

Commissioning

The system must be monitored after initial start-up for a minimum of 60 minutes to ensure proper operating characteristics such as:

- Proper metering device operation and desired superheat readings
- Suction and discharge pressure are within acceptable levels
- Correct oil level in compressor sump indicating proper oil return

- Low foaming in sight glass and compressor sump temperature 10 K above saturation temperature to show that there is no refrigerant migration taking place
- Acceptable cycling rate of compressors, including duration of run times
- Current draw of individual compressors within acceptable values (max operating current)
- No abnormal vibrations and noise.

Oil level checking and top-up

In installations with good oil return and line runs up to 10 m, no additional oil is required. If installation lines exceed 10 m, additional oil may be needed. 3 or 4% of the total system refrigerant charge (in weight) can be used to roughly define the required oil top-up quantity but in any case the oil charge has to be adjusted based on the oil level in the compressor sight glass.

When the compressor is running under stabilized conditions the oil level must be visible in the sight glass.

The oil level can also be checked a few minutes after the compressor stops.

When the compressor is off, the level in the

sight glass can be influenced by the presence of refrigerant in the oil.

Top-up the oil while the compressor is idle. Use the Schrader connector or any other accessible connector on the compressor suction line and a suitable pump. See News bulletin "Lubricants filling in instructions for Danfoss Commercial Compressors".

MLZ116 is factory charged with PVE32, when topping up the compressor, customer could also use PVE68 lubricant. Danfoss supply PVE68 as accessory.

There will be no reliability risks even MLZ116 is with 100% PVE68.

Refrigerant charging

It is recommended that system charging be done using the weighed charge method, adding refrigerant to the high side of the system.

Charging the high and low sides of a system with gas simultaneously at a controlled rate is also an acceptable method. Do not exceed the recommended unit charge, and never charge liquid to the low side.

Vacuum or charge from one side can seal the scrolls and result in a non-starting compressor. When servicing, always ensure that LP/HP pressures are balanced before starting the compressor.

Be sure to follow all government regulations regarding refrigerant reclamation and storage.

Insulation resistance and dielectric strength

Insulation resistance must be higher than 1 megohm when measured with a 500 volt direct current megohm tester.

Each compressor motor is tested at the factory with a high potential voltage (hi-pot) that exceeds the UL requirement both in potential and in duration. Leakage current is less than 5 mA.

MLZ/MLM scroll compressors are configured with the pump assembly at the top of the shell, and the motor below. As a result, the motor can be partially immersed in refrigerant and oil. The presence of refrigerant around the motor windings will result in lower resistance

values to ground and higher leakage current readings. Such readings do not indicate a faulty compressor, and should not be cause for concern.

In testing insulation resistance, Danfoss recommends that the system be first operated briefly to distribute refrigerant throughout the system. Following this brief operation, retest the compressor for insulation resistance or current leakage.

Never reset a breaker or replace a fuse without first checking for a ground fault (a short circuit to ground). Be alert for sounds of arcing inside the compressor.

Compressor code numbers

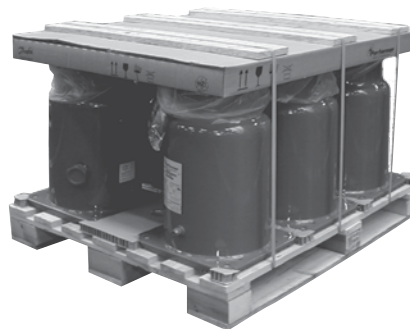
The MLM/MLZ compressors can be ordered in either industrial or single packs. Please use the code numbers from below tables for ordering.

Single pack


Compressor	Model Variation	Connections	Features	Voltage code ⁴
MLM090	L	C	9	120H1774
MLM130	B	C	5	120H1772
MLM160	B	C	5	120H1770
MLM200	B	C	5	120H1768
MLM240	B	C	5	120H1766
MLZ090	L	C	9	120H1764
MLZ130	B	C	5	120H1762
MLZ160	B	C	5	120H1760
MLZ200	B	C	5	120H1758
MLZ240	B	C	5	120H1756

Packaging
Industrial pack

Compressors are not packed individually but are shipped all together on one pallet. They can be ordered in quantities of full pallets only, multiples of compressors, according below table.



Each industrial pack pallet contains following accessories:

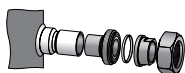
- 4 grommets per compressor
- 4 sleeves per compressor

Packaging details

	Compressors	MLM/MLZ090	MLM/MLZ130	MLM/MLZ160	MLM/MLZ200	MLM/MLZ240	MLZ116/MLM116
	Pack type	Industrial pack	Industrial pack	Industrial pack	Industrial pack	Industrial pack	Industrial pack
	Compressors per pallet	8	6	4	4	4	6
	Static stacking of pallets **	2	2	2	2	2	2
Shipped accessories	4 bolts per compressor	Included	Included	Included	Included	Included	Included
	4 washers per compressor	Included	Included	Included	Included	Included	Included
	4 grommets per compressor	Included	Included	Included	Included	Included	Included
	4 extra sleeves per compressor	Included	Included	Included	Included	Included	Included

Industrial pack

	Compressors	Model variation	Connections	Features	Voltage code 4
Danfoss pallet	MLM090	L	C	9	120H1773
	MLZ090	L	C	9	120H1763
	MLM116	B	C	5	120H1118
	MLM116	B	Q	5	120H1231
	MLZ116	B	C	5	120H1117
	MLZ116	B	Q	5	120H1230
	MLM130	B	C	5	120H1771
	MLM160	B	C	5	120H1769
	MLM200	B	C	5	120H1767
	MLM240	B	C	5	120H1765
	MLZ130	B	C	5	120H1761
	MLZ160	B	C	5	120H1759
	MLZ200	B	C	5	120H1757
	MLZ240	B	C	5	120H1755

Solder sleeve adapter set


Type	Code n°	Description	Application	Packaging	Pack size
	7765006	Solder sleeve adapter set (1"3/4~1"3/8), (1"1/4~3/4")	MLM/MLZ090	Multipack	6
	7765028	Solder sleeve adapter set (2"1/4~1"5/8), (1"3/4~1"1/8)	MLM/MLZ 116-130-160-200	Multipack	6

* diameter restriction

Rotolock adapter


Type	Code n°	Description	Application	Packaging	Pack size
	120Z0366	Adaptor (1"1/4 Rotolock -3/4" ODS)	Models with 3/4" ODF	Multipack	10
	120Z0364	Adaptor (1"3/4 Rotolock -1"1/8 ODS)	Models with 1"1/8 ODF	Multipack	10
	120Z0431	Adaptor (1"3/4 Rotolock -1"3/8" ODS)	Models with 1"3/8 ODF	Multipack	10
	120Z0432	Adaptor (2"1/4 Rotolock -1"5/8 ODS)	Models with 1"5/8 ODF	Multipack	10

Gaskets


Type	Code n°	Description	Application	Packaging	Pack size
G07	8156132	Gasket, 1"3/4	Models with 1"3/4 rotolock connection	Multipack	10
G07	7956003	Gasket, 1"3/4	Models with 1"3/4 rotolock connection	Industry pack	50
G08	8156133	Gasket, 2"1/4	Models with 2"1/4 rotolock connection	Multipack	10
G08	7956004	Gasket, 2"1/4	Models with 2"1/4 rotolock connection	Industry pack	50

Solder sleeve


Type	Code n°	Description	Application	Packaging	Pack size
P02	8153004	Solder sleeve P02 (1"3/4 Rotolock - 1"1/8 ODF)	Models with 1"3/4 rotolock connection	Multipack	10
P03	8153006	Solder sleeve P03 (2"1/4 Rotolock - 1"5/8 ODF)	Models with 2"1/4 rotolock connection	Multipack	10

Rotolock nut


Type	Code n°	Description	Application	Packaging	Pack size
	8153124	Rotolock nut, 1"3/4	Models with 1"3/4 rotolock connection	Multipack	10
	8153126	Rotolock nut, 2"1/4	Models with 2"1/4 rotolock connection	Multipack	10

Rotolock service valve


Type	Code n°	Description	Application	Packaging	Pack size
	7703009	Valve set, V02 (1"3/4 ~ 1"1/8), V04(1"1/4 ~ 3/4")	MLM/MLZ090	Multipack	6
	7703383	Valve set, V03 (2"1/4 ~ 1"5/8), V02 (1"3/4 ~ 1"1/8)	MLM/MLZ116-130-200	Multipack	4

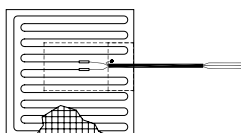
Motor protection modules


Type	Code n°	Description	Application	Packaging	Pack size
	120Z0585	Electronic motor protection module, 110/240 V	MLM/MLZ116-130-200	Single pack	1

Terminal boxes, covers and T-block connectors


Type	Code No	Description	Application	Packaging	Pack Size
	120Z0774	T block connector 80 x 80 mm	MLM/MLZ130-240	Multipack	10
	8173230	T block connector 52 x 57 mm	MLM/MLZ090	Multipack	10
	8173021	T block connector 60 x 75 mm	MLM/MLZ116	Multipack	10
	120Z0462	Terminal box 210 x 190, incl. cover and module wiring for 258 x 208 and 186 x 198 terminal box replacement	MLM/MLZ116	Single pack	1
	120Z0458	Terminal box 210 x 190 mm, incl cover	MLM/MLZ130-160-240	Single pack	1

* except code 3

Surface sump heaters


	Code no.	Accessory description	Application	Packaging	Pack size
	120Z0389	80W 230V surface sump heater CE & UL	MLM/MLZ090	Multipack	8
	120Z0390	80W 400V surface sump heater CE & UL	MLM/MLZ090	Multipack	8
	120Z0372	80W 230V surface sump heater + bottom insulation, CE & UL	MLM/MLZ130-240	Multipack	8
	120Z0373	80W 400V surface sump heater + bottom insulation, CE & UL	MLM/MLZ130-240	Multipack	8
	120Z0377	56W 400V surface sump heater + bottom insulation, CE and UL	MLM/MLZ116	Multipack	6

Lubricant


Type	Code No	Description	Application	Packaging	Pack Size
	7754023	POE lubricant, 160SZ, 1 litre can	MLZ090-240 for R404A,R507A	Multipack	12
	120Z0571	POE lubricant, 160SZ, 2.5 litre can	MLZ090-240 for R404A,R507A	Multipack	4
	7754121	POE lubricant, 320SZ, 1 litre can	MLM130-240 for R22	Multipack	12
	120Z0572	POE lubricant, 320SZ, 2.5 litre can	MLM130-240 for R22	Multipack	4
	7754001	Mineral oil, 160P, 2 litre can	MLM090-116 for R22	Multipack	8
	7754002	Mineral oil, 160P, 5 litre can	MLM090-116 for R22	Multipack	4
320HV	120Z5034	PVE 68 Lubricant, 2 litre can	MLZ116	Multipack	12

Miscellaneous


Type	Code No	Description	Application	Packaging	Pack Size
	8156019	Sight glass with gaskets (black & white)	All model	Multipack	4
	8156129	Gasket for sight glass, 1"1/8 (white teflon)	All model	Multipack	10
	7956005	Gasket for sight glass, 1"1/8 (white teflon)	All model	Multipack	50
	8154001	Danfoss Commercial Compressors blue spray paint	All model	Single pack	1

All manifolding information is only for MLZ/MLM116

General overview..... 45
 Scope 45
 Benefits..... 45

Oil management concept..... 46
 Active systems 46
 Passive systems 47

Operating conditions 49
 Power supply..... 49
 Compressor ambient temperature 49
 Operating envelope..... 49
 Refrigerants and lubricants..... 49
 Discharge temperature protection 49
 High and low pressure protection..... 49
 Cycle rate limit 49
 Defrost cycle..... 50
 Sump dilution control..... 50

System design recommendations 51
 Essential piping design considerations 51
 Expansion device..... 52
 Suction accumulator 52
 Suction header 52
 Oil level regulator 53
 Oil separator / oil reservoir..... 53
 Oil separator and reservoir for active system..... 54

Installation and service 55
 Piping design 55
 Wiring and rotation direction 55
 Failure analysis..... 55

Ordering information..... 56

Tandem unit MLM/MLZ116..... 57
 Operating principle 57
 Composition of MLM/MLZ116 tandem..... 57
 Compressor mounting 58
 Oil equalization connection 58

Trio unit MLM/MLZ116..... 59
 Operating principle 59
 Composition of MLM/MLZ116 trio..... 59
 Compressor mounting 60

Quadro unit MLZ/MLZ116 61
 Operating principle 61
 Composition of MLM/MLZ116 quadro 61
 Compressor mounting 62

Scope

The application guidelines describe the operating characteristics, design features and application requirements for MLM/MLZ116 parallel compressors in medium temperature refrigeration applications.

To ensure proper parallel installation and running conditions, the following recommendations must be followed:

- It is essential to follow all the instructions given in these guidelines, the instruction leaflet delivered with each compressor and the Application Guidelines for single compressors.
- For additional system components related to specific application requirements, the supplier's recommendations must always be followed.

Benefits

Parallel compressor installation refers to a system of interconnected compressors with a common suction line and common discharge line. The technique of mounting compressors in parallel is also referred to as manifolding. In a system with only two compressors, this is referred to as a tandem configuration.

The main reason for manifolding is reduced operating cost through greater control of capacity and power consumption. This is achieved by staggering the compressor switch on sequences that allow the parallel system to match its power with the capacity needed.

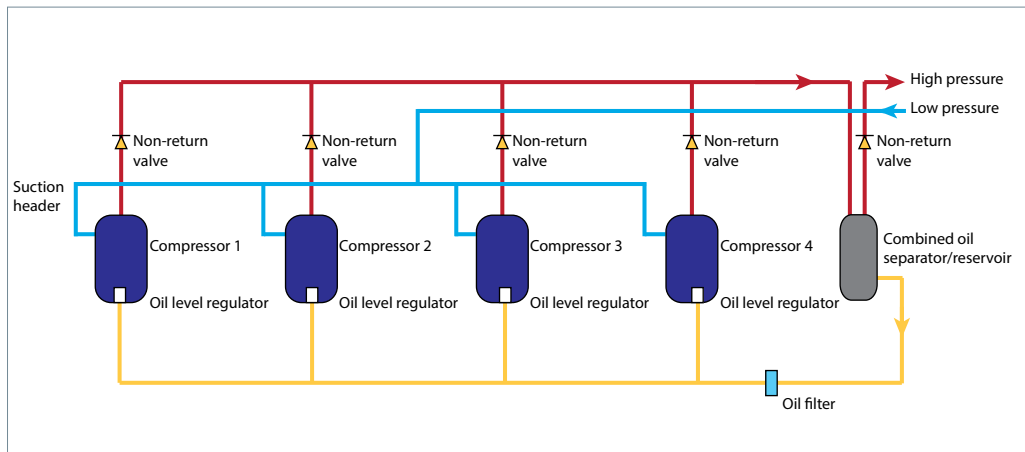
A second reason for manifolding is improved part load efficiency. In a parallel installation the individual compressor(s) can be switched off while the other compressor(s) keep operating at 100% load. Therefore the part load efficiency is very near the full load efficiency. Conventional fixed-speed compressor unloading methods impose a serious penalty on part load efficiency, mainly at low load conditions.

Suction gas in a hermetic scroll compressor flows via the oil sump, which makes it more difficult to maintain equal pressure in the sumps of parallel compressors. Since oil equalization usually depends on equal sump pressures, this is a point of special attention. Danfoss Commercial Compressors have developed specially adapted oil management systems which ensure proper

oil balancing between the compressors, but it is always recommended to carry out some tests to validate oil balancing in the system.

To ensure suitable oil distribution, both passive and active types of systems are introduced into MLZ/MLM16 compressors.

Active systems



An active system can offer more flexible and efficient oil management. It is highly recommended for manifold configuration since this positive system increases the reliability of the manifold configuration. Oil management will be secured mainly by the oil level regulator and the oil separator, which can supply the oil when required. The active system can thus accommodate itself to various oil conditions.

To avoid refrigerant back flow from high pressure, it is always recommended to have a non-return valve on the discharge line of each compressor, and it is necessary to have one non-return valve on the outlet of the oil separator in the system to prevent refrigerant migration.

For more details on the oil separator/reservoir and oil level regulator please refer to the "System design recommendation" in this guideline.

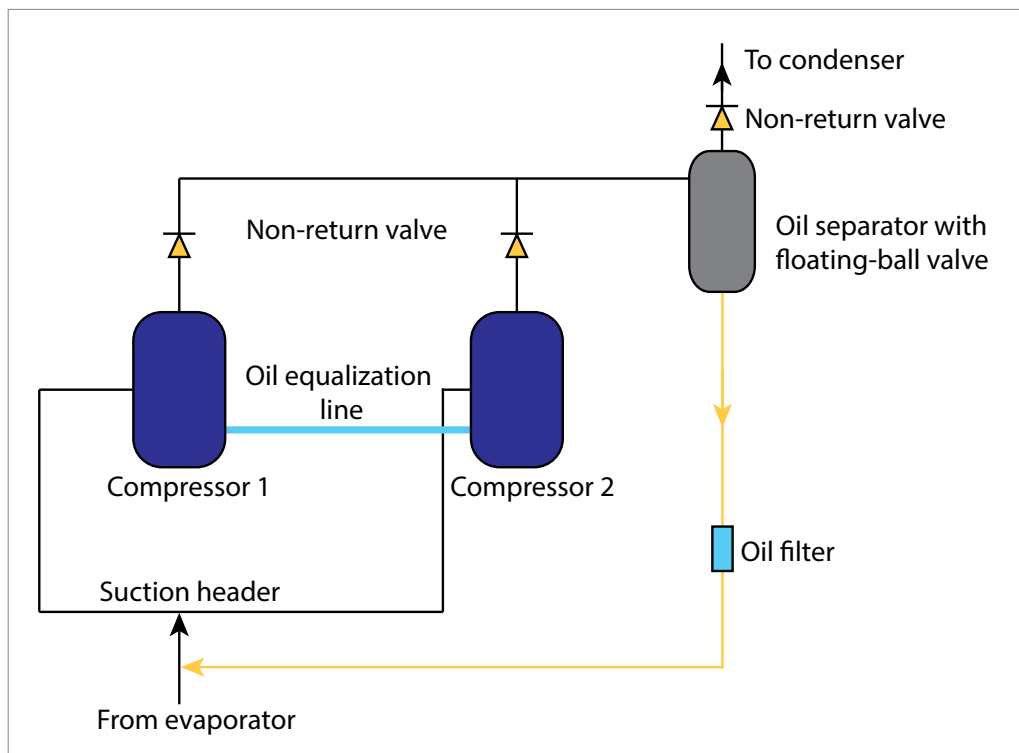
Danfoss has qualified tandem/trio/quadro composition for active systems.

Each compressor will equip the oil level regulator to facilitate the oil level balance.

Passive systems

A passive system is an oil management system without any measurement or control devices such as oil level regulators and oil controllers. By contrast, a solution equipped with such measurement or control devices is called an active system.

Danfoss has qualified only the even tandem (two same compressors) for passive solutions.



This is one of the simplest and cheapest ways of manifold compressors. It is very popular in air conditioning applications, but in refrigeration this kind of system needs to be paid special attention due to severe operating conditions.

Danfoss has qualified only the even tandem (two same compressors) for passive solutions.

Compressor sumps and low-pressure shells are interconnected. An interconnecting pipe on the lower part of the compressor (installed on the oil equalization port) ensures oil balancing. The suction header design is critical, as it ensures a pressure drop balancing and an equal distribution of oil returning from the system when both compressors are running.

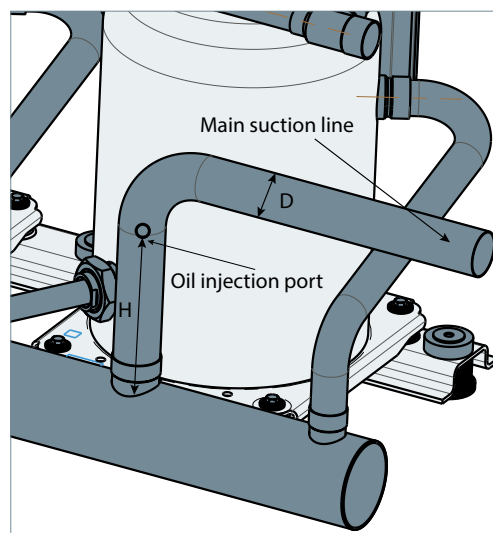
The success of such a system relies very much on the sizing and design of the pipe work, as small differences in sump pressure can result in significant oil level variations. This system needs perfect suction tube balancing.

For an MLM/MLZ116 even tandem, oil return can be secured by an oil separator with float ball valve, which will return the oil to the main suction line. The oil equalization line goes through the oil equalization port with an adaptor on the compressor. To avoid refrigerant back flow from high pressure, it is always recommended to have a non-return valve on the discharge line of each compressor, as well as one non-return valve on the outlet of the oil separator in the system to prevent refrigerant migration.

The following are recommendations from Danfoss application engineering using an oil equalization line system without active control:

Danfoss could provide piping drawings for even tandem passive system, please contact Danfoss for more information.

- An adequately (generously) sized suction header is needed to provide for equal distribution of returning refrigerant gas and oil to each individual compressor; also the suction header should be installed horizontally.
- To secure sufficient oil return to the compressor, Danfoss suggests below dimension requirement of the oil injection position: $H > 5D$ or $H > 111$ mm.



- The oil equalization tube is recommended to have an outer diameter of 1"3/8.
- If the unit runs in a very cold situation, both compressors need to be switched on after a period of single running for better oil circulation, especially in low load conditions.
- Care must be taken to mount all the compressors on the same horizontal level and also to provide adequate liquid flood back protection when using this method.

Power supply

MLM/MLZ116 compressors can be operated at nominal voltages as indicated below. Under-voltage and over-voltage operation is allowed within the indicated voltage ranges. In case of

risk of undervoltage operation, special attention must be paid to current draw. MLM/MLZ116 scroll compressors are available in below motor voltages.

		Motor voltage code 4
Nominal voltage	50 Hz	380-415 V - 3 ph
Voltage range	50 Hz	340-457 V

Compressor ambient temperature

MLM/MLZ116 scroll compressors can be applied from -35°C to 55°C ambient temperature. The compressors are designed as 100% suction gas cooled without the need for additional fan cooling.

Ambient temperature has very little effect on the compressor performance. For detailed information please refer to the "MLM/MLZ116 application guidelines".

Operating envelope

The recommended parallel assemblies design from Danfoss Commercial Compressors have been qualified to ensure there is no impact on the compressor operating envelope.

More details can be found in the "MLM/MLZ116 application guidelines".

Refrigerants and lubricants

Approved refrigerants and lubricants for MLM/MLZ116 single compressors are also allowed for

parallel assemblies. For more details, please refer to the "MLM/MLZ116 application guidelines".

Discharge temperature protection

The discharge gas temperature of each compressor must not exceed 135°C.

the compressor against operations beyond its specific application envelope.

DGT protection is required if the high and low-pressure switch settings do not protect

More details can be found in the "MLM/MLZ116 application guidelines".

High and low pressure protection

The pump-down pressure switch must have a set point slightly higher than the lowest compressor safety pressure switch set point. The compressor switch must never be bypassed and shall stop all the compressors. The high-pressure safety pressure switch shall stop all the compressors.

Whenever possible (i.e. PLC control) it is recommended to limit the possibility of compressor auto-restart caused by LP safety switch settings to fewer than 3 to 5 times during a 12-hour period. Please refer to the "MLM/MLZ116 application guidelines" for recommended settings.

Cycle rate limit

The system must be designed in a way that guarantees a minimum compressor running time of three minutes so as to provide for sufficient motor cooling after start-up along with proper oil return. Note that the oil return may vary since it depends upon system design.

of the motor-compressor unit. If necessary, place an anti-short-cycle timer in the control circuit, then connect as shown in the wiring diagram in the Danfoss Scroll compressor application guidelines. A three-minute (180-second) time-out is recommended.


There must be no more than 12 starts per hour (6 when a resistor soft-start accessory is introduced); a number higher than 12 reduces the service life

Danfoss recommends a restart delay timer to limit compressor cycling.

Defrost cycle

In refrigeration system applications, there are different defrost methods, such as electric heating defrost, hot gas bypass defrost, reversible defrost etc. For the system which use hot gas bypass or reversible defrost method, suction accumulator is necessary as a result of the possibility of a substantial quantity of liquid refrigerant remaining in the evaporator, this liquid refrigerant can then return to the compressor, either flooding the sump or as a dynamic liquid slug when the cycle switch

back to normal cooling operations. Sustained and repeated liquid slugging and flooding can seriously impair the oil's ability to lubricate the compressor bearings. In such cases a suction accumulator is a must. For system using reversible defrost, it is highly recommended that both compressor should keep running or both stop during 4-way valve switch.

 For MLM/MLZ090-130-160-200-240, suction accumulator is mandatory.

Sump dilution control

To avoid refrigerant migration to idle compressor or oil dilution in oil sump, sump superheat must be maintained at above 10 K. Depending on the amount of migration below, measures shall be taken:

- add a sump heater, recommendations on sump heater are the same as single compressor guide under section "off cycle migration."
- keep enough suction superheat, minimum suction superheat should be above 5 K.
- the idle compressor should keep running time to time.

Essential piping design considerations

Proper piping practices should be employed to ensure adequate oil return, even under minimum load conditions, with special consideration given to the size and slope of the tubing coming from the evaporator. Tubing returns from the evaporator should be designed so as not to trap oil and to prevent oil and refrigerant migration back to the compressor during off-cycles.

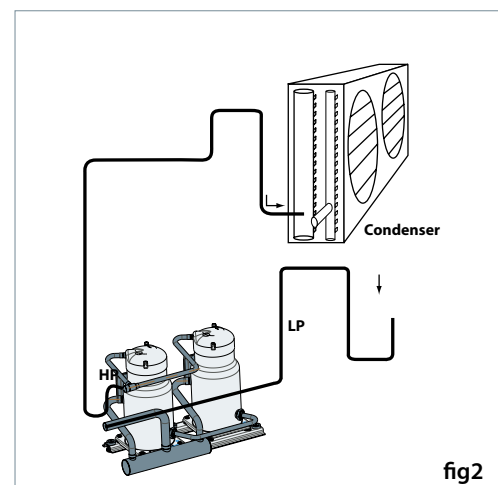
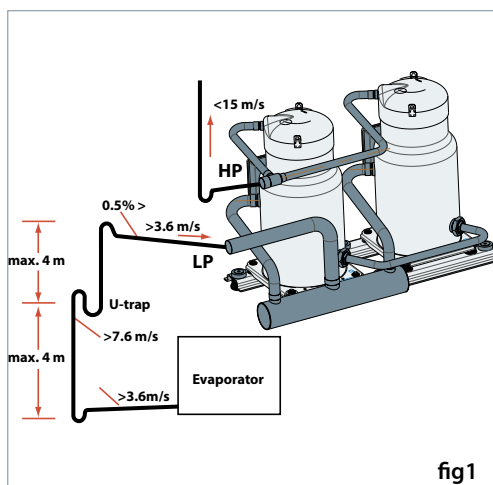
If the evaporator lies above the compressor, the addition of a pump-down cycle is strongly recommended. If a pump-down cycle were to be omitted, the suction line must have a loop at the evaporator outlet to prevent refrigerant from draining into the compressor during off-cycles.

If the evaporator is situated below the compressor, the suction riser must be trapped to ensure the oil return to the compressor (see fig.1).

When the condenser is mounted at a higher position than the compressor, a suitably sized U-shaped trap close to the compressor is necessary to prevent oil leaving the compressor

from draining back to the discharge side of the compressor during off-cycle. The upper loop also helps avoid condensed liquid refrigerant from draining back to the compressor when stopped (see fig. 2). The maximum elevation difference between the indoor and outdoor section cannot exceed 8 m. System manufacturers should specify precautions for any applications that exceed these limits to ensure compressor reliability.

Piping should be designed with adequate three-dimensional flexibility (figure 2). It should not be in contact with the surrounding structure, unless a proper tubing mount has been installed. This protection proves necessary to avoid excess vibration, which can ultimately result in connection or tube failure due to fatigue or wear from abrasion. Aside from tubing and connection damage, excess vibration may be transmitted to the surrounding structure and generate an unacceptable sound level within that structure as well (for more information on sound and vibration management”).



Note: Suction accumulator and Oil separator etc. are not shown in this illustration, but those are necessary for the system. The graph above is only for piping design considerations.

To ensure proper refrigerant and oil circulation, the speed limits in all pipes are generally recommended as follows:

- For horizontal/vertical discharge gas velocity: no more than 15 m/s;
- For vertical suction gas velocity: no less than 7.6 m/s;

- For horizontal suction gas velocity: no less than 3.6 m/s;
- For horizontal/vertical liquid velocity: around 1.5 m/s;
- For suction header gas velocity: no more than 4 m/s.

Expansion device

When the parallel installation is serving a single evaporator system, the dimensioning of the expansion device (thermostatic or electronic) becomes critical and must be made in relation to both minimum and maximum capacity. This will ensure correct superheat control in all situations, with a minimum of 5 K superheat at the compressor suction. The expansion device should be sized to ensure proper control of the refrigerant flow into the evaporator. An oversized valve may result in erratic control. Proper selection could imply a slightly undersized expansion valve at full load. This consideration is especially important in manifolded units

where low load conditions may require the frequent cycling of compressors. This can lead to liquid refrigerant entering the compressor if the expansion valve does not provide stable refrigerant superheat control under varying loads. The superheat setting of the expansion device should be sufficient to ensure proper superheat levels during low loading periods. A minimum of 5 K stable superheat is required. In addition, the refrigerant charge should be sufficient to ensure proper subcooling within the condenser so as to avoid the risk of flashing in the liquid line before the expansion device.

Suction accumulator

The refrigeration compressor is designed to compress vapor only. A suction line accumulator prevents compressor damage from a sudden surge of liquid refrigerant and oil that could enter the compressor from the suction line. For low temperature application, suction accumulator is a must unless approved by careful tests under different operating conditions. If the system use hot gas bypass or reversible defrost method, suction accumulator is necessary.

Selection of a suction line accumulator should be made on the basis of the following three capabilities:

1. The accumulator should have an adequate liquid-holding capacity that can vary with the system. Normally this should not be less than 50% of the system charge. If possible, this value should be checked based on actual tests.
2. The accumulator should perform without adding excessive pressure drop to the system.
3. An accumulator should have the capability of returning oil at the proper rate and under a range of load conditions.

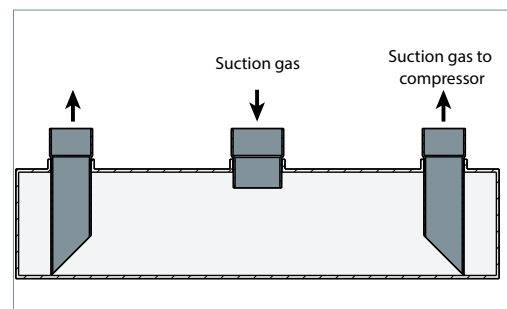
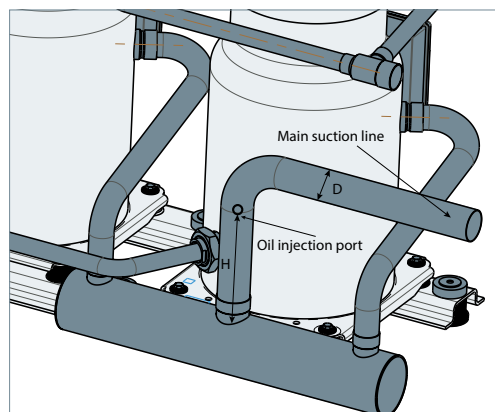
Guideline of suction accumulator needs to be respected in making a selection.

Suction header

For efficient oil management in parallel systems the oil should return to the compressor at approximately the same rate as it leaves so that an appropriate oil level can always be maintained.

Danfoss recommends an adequately sized suction header which provides equal distribution of returning refrigerant and oil to each individual

compressor. The suction lines from the header towards each individual compressor must be fitted into the suction header. This configuration will result in a higher gas velocity at the pick-up tube inlet and proper oil return when the oil level in the suction header rises. The compressor suction lines must always enter the suction header on the topside. A recommended suction header design is shown below.



To ensure ideal pressure equalization, the suction header must be symmetrical and the lines from the suction header to each compressor must be short and identical. These recommendations are not so critical when using an active system.

Danfoss recommends the following as necessary for secure a suction header installation:

- The suction header should be adequately sized for equal distribution of returning refrigerant gas and oil to each individual compressor; also the suction header should be installed horizontally.
- The gas velocity in the suction header must be a maximum of 4 m/s.
- The suction line and the suction header must be insulated to limit suction gas superheat.

Oil level regulator

Oil level regulator monitors the oil level and controls oil injection by switching the solenoid valve on and off to maintain an acceptable oil level in the compressor crankcase. When crankcase oil level cannot be restored within a period of time (setting value), the alarm contactor will be activated and stop the compressor to protect it from damage (some oil level regulator do not have an alarm function).

According to the function, there are three types of oil level regulator: electronic, electromechanical and mechanical. For a high-pressure oil reservoir system, Danfoss recommends individual electronic oil control regulators rather than the mechanical float ball oil regulator system for effective oil regulation.

Oil separator / oil reservoir

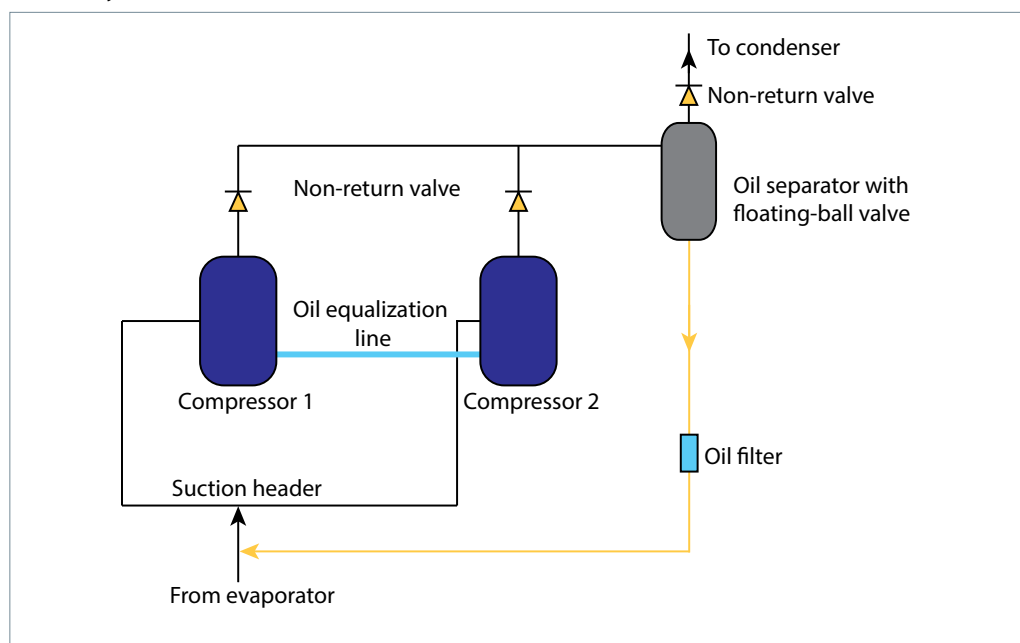
Oil separator for passive system

The role of the oil separator is to intercept the mixed oil from the compressed refrigerant gas and returns it back to the compressor to assure efficient lubrication of its moving parts, and also to improve the system's heat exchangers' efficiency. In our manifolding system, the oil separator is necessary and is recommend to be installed in the compressor discharge line as shown below.

No oil separator category is included in this guidelines. For more details, please refer to the manufacture's guidelines.

Regarding passive solutions, it is recommended to use an oil separator with a floating-ball valve. The floating-ball valve can control the oil flow and act as a capillary in the oil return line; therefore, there is no need to install an oil capillary in the system.

Passive system

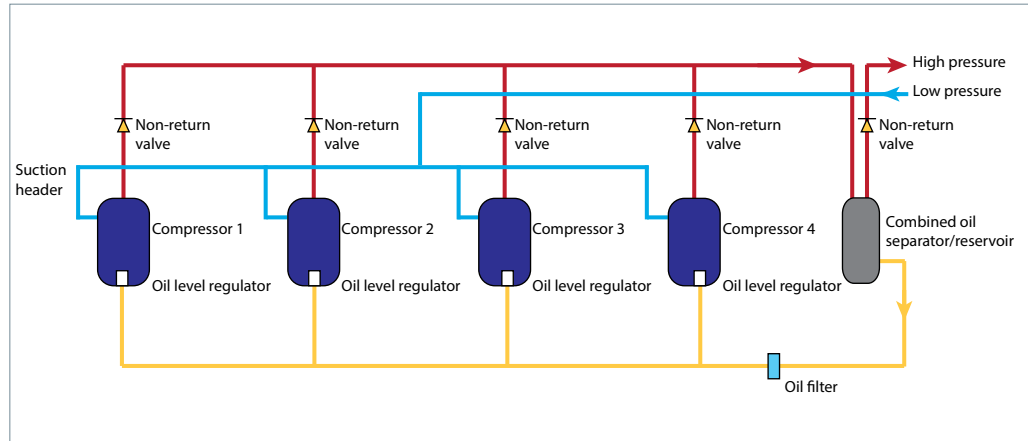


Oil separator and reservoir for active system

When an active system is adopted by the customer, the oil separator is always considered together with oil reservoir.

Due to system design, loads and defrost cycles, etc., there will be varying amounts of oil returning to the oil separator. Because of this, a safety reserve of oil is required for successful operation of the active system.

Active system



Danfoss recommends that high-pressure systems (oil separator installed in high pressure side) are configured in active solutions. These systems store the oil in a common oil separator/reservoir at compressor discharge pressure (see the figure below). The advantage is that these systems do not need a separated oil reservoir but make use of a combined oil separator/reservoir arrangement, which normally results in a cost saving over traditional low-pressure systems (additional oil separator and oil reservoir installed in low pressure side). From an application point

of view, high-pressure systems are more critical than traditional low pressure systems and care must be taken to make sure that the separator/reservoir installed is of sufficient size and oil content (as per manufacturer's recommendation) so that there is always oil stored. And pay special attention to avoid discharge gas entering the compressor oil sump, which could lead to some negative effects such as higher discharge and oil temperatures, less lubrication capability and the loss of efficiency due to hot gas bypass.

Piping design

For each tandem configuration specific outline drawings are available as indicated on the following pages. These drawings must always be followed.

systems, the oil equalization line shall be made of copper tube and assembled in such a way so that it does not extend above the connection height and must be horizontal so as not to trap oil.

No changes shall be made to the indicated tubing diameter and fitting types. As for passive

Please contact Danfoss Sales for specific drawings.

Wiring and rotation direction

All compressors in a manifolding unit must be electrically wired individually.

Compressors should run with the correct rotation direction. This can be achieved by having the correct phase sequence on each compressor motor terminal (L1-T1, L2-T2, L3-T3).

Failure analysis

When one compressor in a parallel system fails, the chance of foreign particles entering other compressors is greatly increased. Therefore a

failure analysis must be done quickly to ensure further proper running conditions for the overall installation (i.e.: oil analysis).

To build a complete tandem, one must order the 2 compressors and 1 manifolding kit 7777041 plus 2 mounting kit 7777045.

To build a trio, one must order 3 compressors and 1 trio manifolding kit 7777049 plus 3 mounting kit 7777045.

To build a quadro, one must order 4 compressors and 2 manifolding kit 7777041 plus 4 mounting kit 7777045. For mounting kit 7777045, please refer to guideline section "spare parts & accessories" mounting hardware.

Manifolding compressors	Combination			
	Manifolding kit code number	Ordering number	Mounting kit code number	Ordering number
Even tandem with passive system	7777041	1	7777045	2
Even tandem with active system			7777045	2
Even trio with active system	7777049	1	7777045	3
Even quadro with active system	7777041	2	7777045	4

Kit code number 7777041

	Designation	Qty
①	Grommet Sleeves M	6
②	Flat Washers LL10Z	6
③	Washers	6
④	Washer for tandem/quadro	6
⑤	Grommets	6
⑥	Sleeve 2"1/4 Rotolock - 1"3/8 ODF	2
⑦	Teflon seal Φ 50.8 mm	2

Note: for kit 7777041, item 6-7 are not needed for active manifolding. please leave these when assemble.

Kit code number 7777049

	Designation	Qty
①	Grommet Sleeves M	8
②	Flat Washers LL10Z	8
③	Washers	8
④	Washer for trio	8
⑤	Grommets	8
⑥	Sleeve 2"1/4 Rotolock - 1"5/8 ODF	3
⑦	Teflon seal Φ 50.8 mm	3

Note: for kit 7777049, items 6-7 are not needed for active manifolding. Please leave these when assembling.

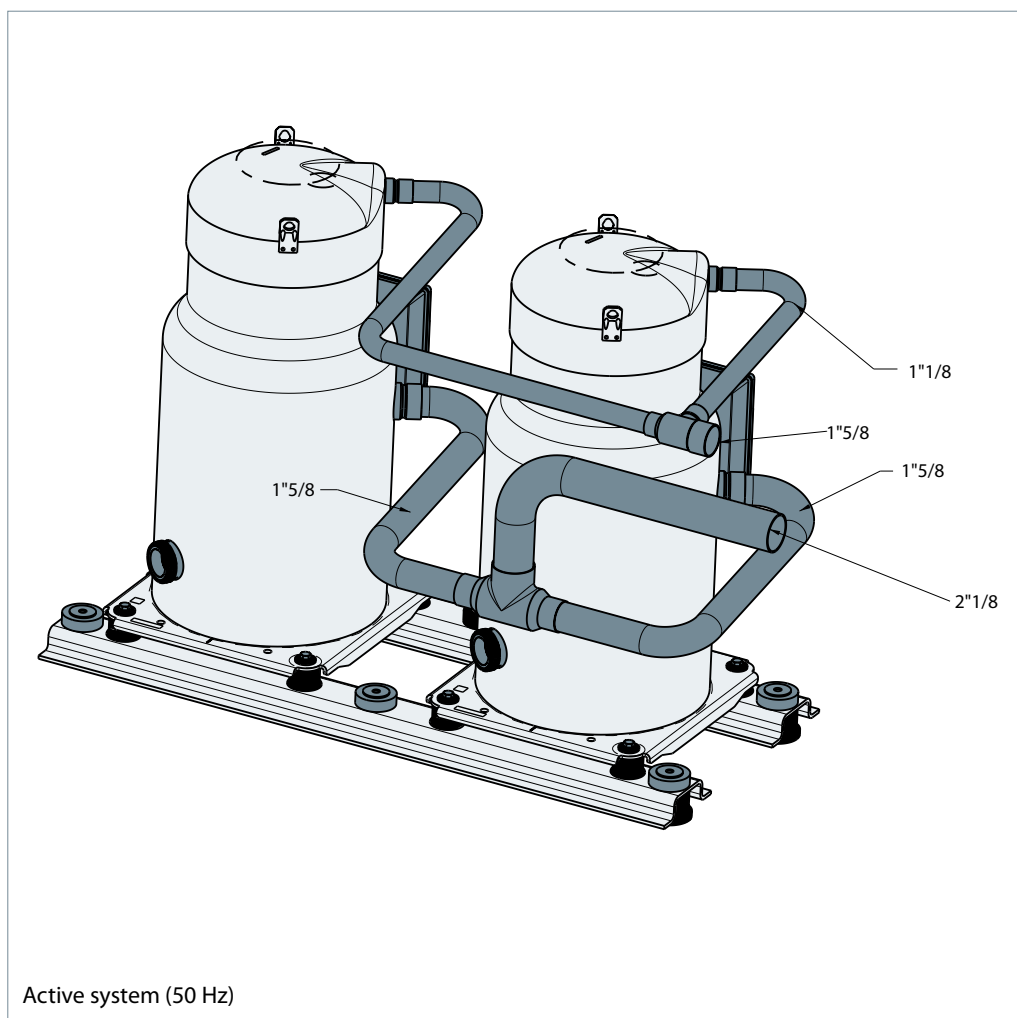
Operating principle

MLM/MLZ116 tandems could use either passive or active system to balance the oil level between the compressors. Each of the compressors may run alone to provide proper capacity for part

load operation. The system has been designed to ensure a precise pressure balancing between the sumps, facilitating the oil equalization by gravity.

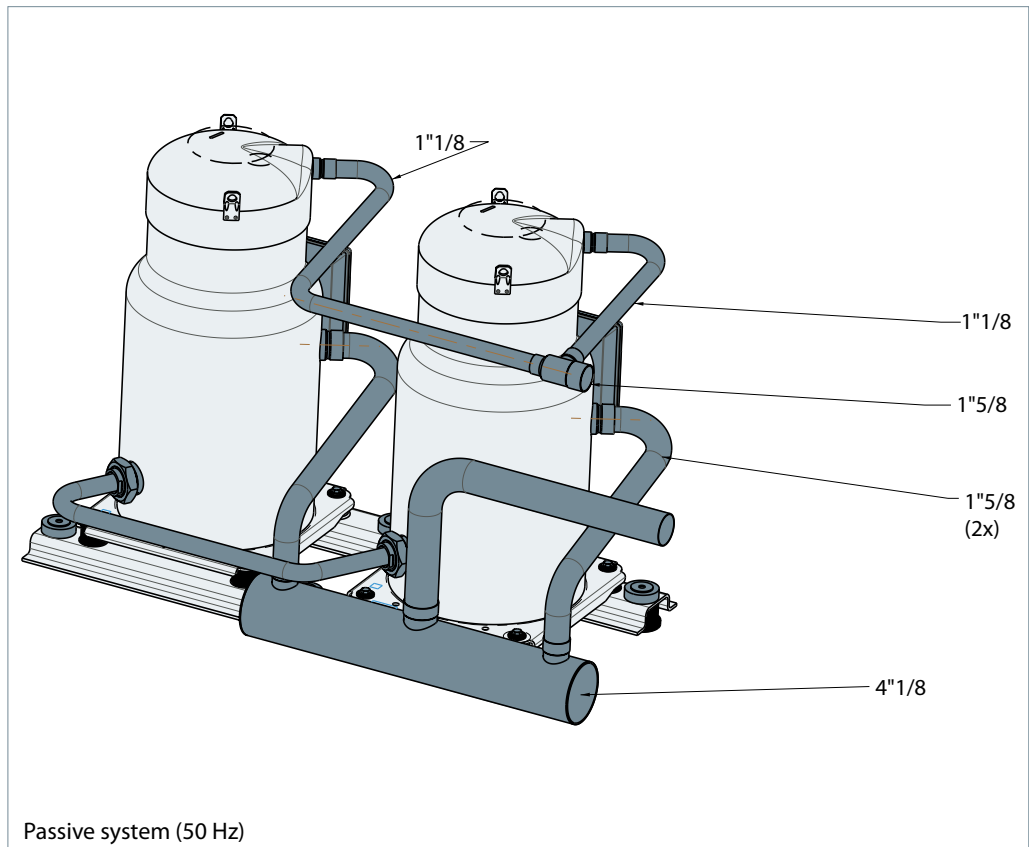
Composition of MLM/MLZ116 tandem

Active system



Note: The dimensions are external diameters. Active system (50 Hz) excluding non-return valve, oil separator/reservoir and oil regulator. The compressors shown here are brazed version, but could also work with rotolock version.

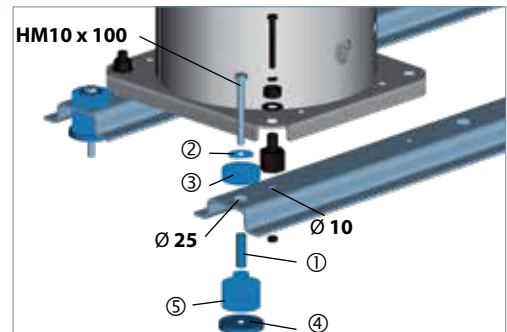
Passive system



Note: the dimensions are external diameters. The compressors shown here are brazed version, but could also work with rotolock version.

Compressor mounting

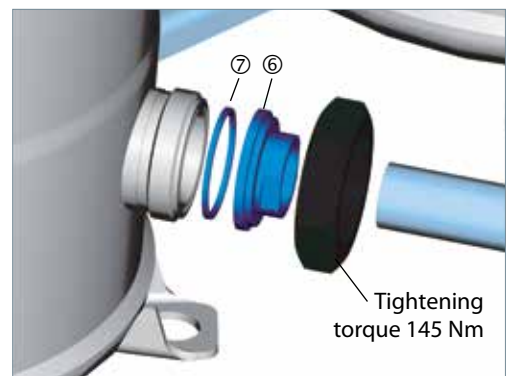
The tandem is fixed on the frame by using grommet sleeves ①, flat washers ②, washers ③ and ④ and the grommets ⑤, provided in kit 7777041.



- Supplied with the kit 7777045
- Included in kit 7777041
- Not supplied

Oil equalization connection

The level of oil naturally balances by a pipe of 1 3/8. To fix this oil connection equalization Rotolock, the adaptor sleeves ⑥: 2 1/4 - 1 3/8 and Teflon seals ⑦, included in kit 7777041 must be used.



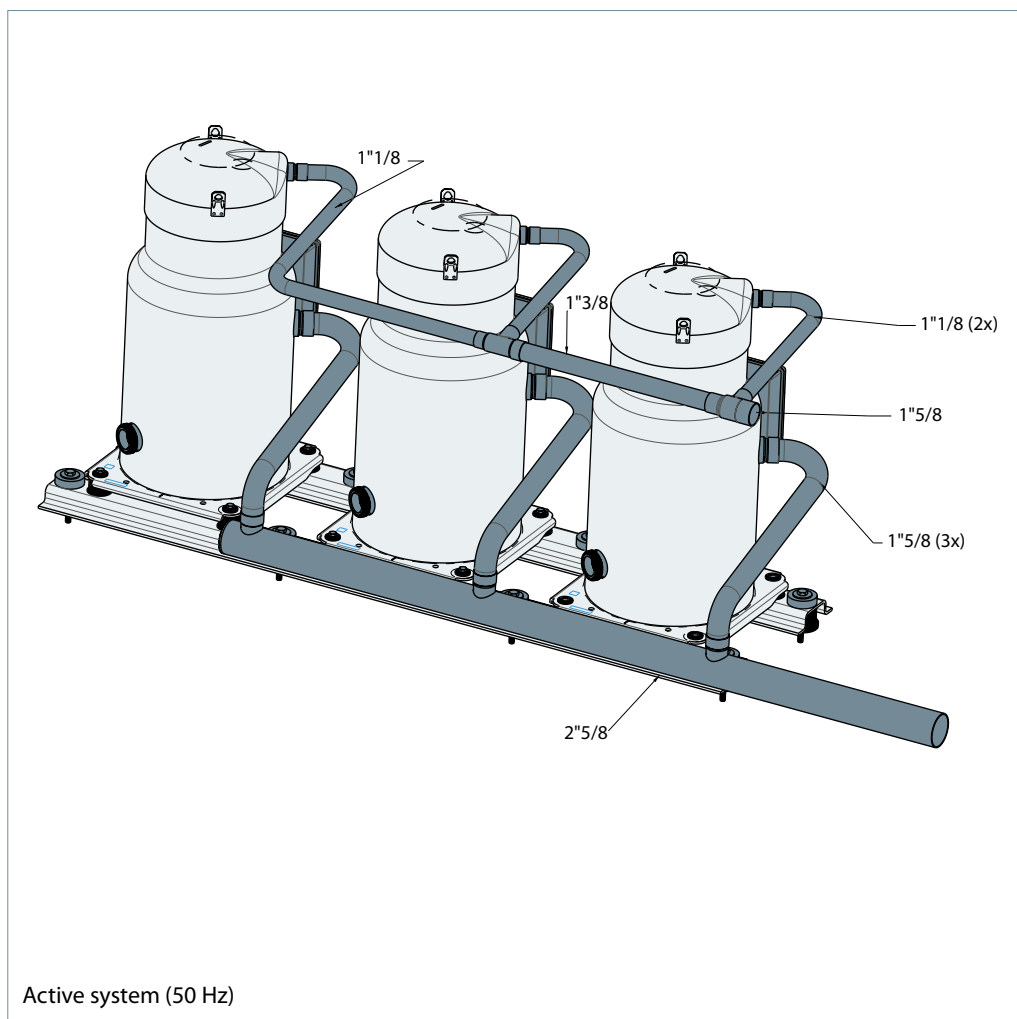
Operating principle

MLM/MLZ116 trios could only use active system to balance the oil level between the compressors. Each of the compressors may run alone to provide proper capacity for part load operation.

The system has been designed to ensure a precise pressure balancing between the sumps, facilitating the oil equalization by gravity.

Composition of MLM/MLZ116 trio

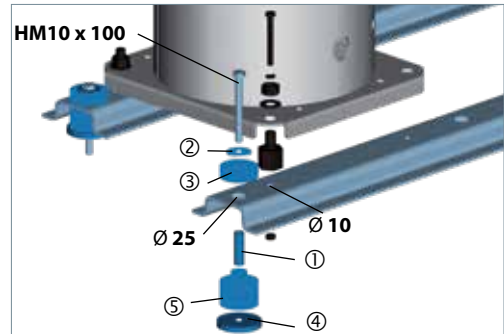
Active system



Note: The dimensions are external diameters. Active system (50 Hz) excluding non-return valve, oil separator/reservoir and oil regulator. The compressors shown here are brazed version, but could also work with rotolock version.

Compressor mounting

The Trio is fixed on the frame by using grommet sleeves ①, flat washers ②, washers ③ and ④ and grommets ⑤, provided in kit 7777040.



- Supplied with kit 7777045
- Included in kit 7777049
- Not supplied

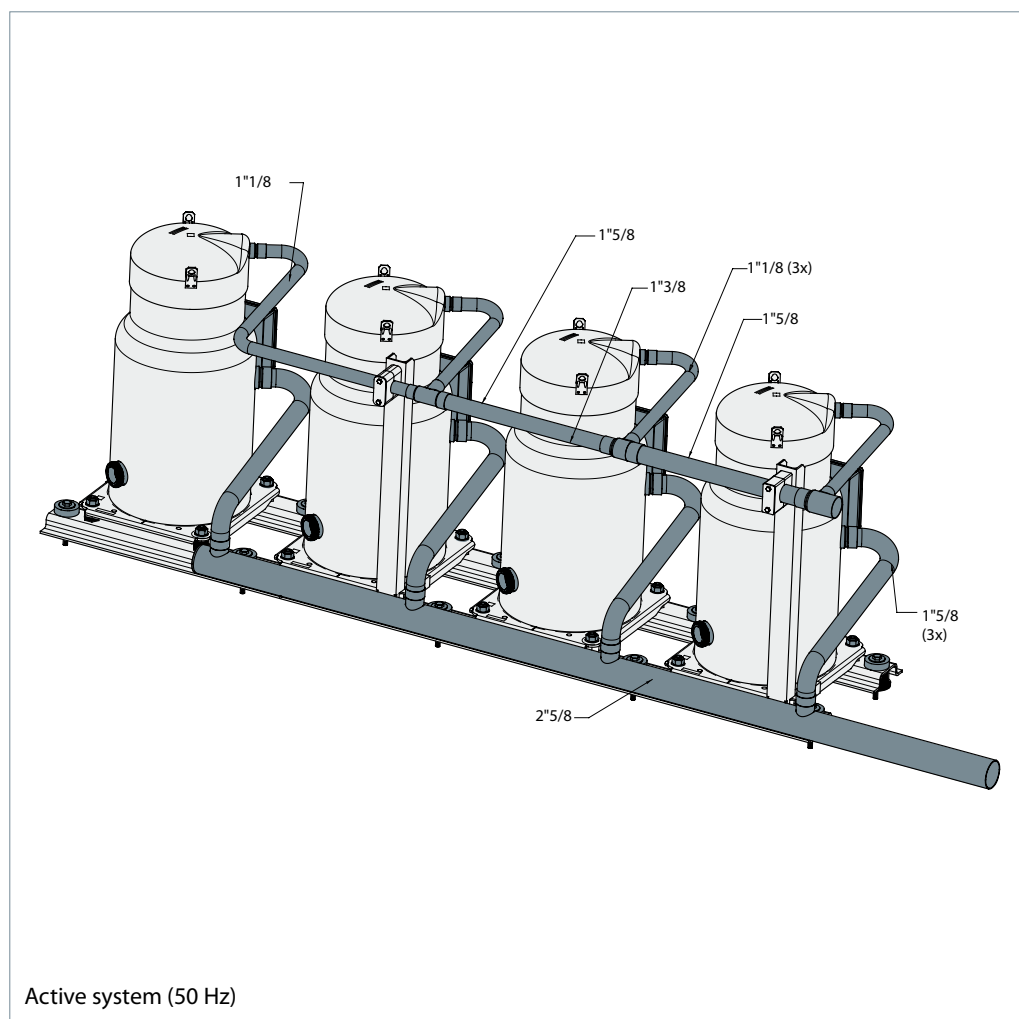
Operating principle

MLM/MLZ116 quadro could only use active system to balance the oil level between the compressors. Each of the compressors may run alone to provide proper capacity for part load

operation. The system has been designed to ensure a precise pressure balancing between the sumps, facilitating the oil equalization by gravity.

Composition of MLM/MLZ116 quadro

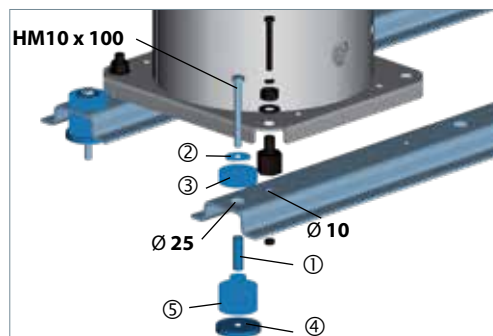
Active system



Note: The dimensions are external diameters, for quadro systems, it is necessary to add support at discharge line. Active system (50 Hz) excluding non-return valve, oil separator/reservoir and oil regulator. The compressors shown here are brazed version, but could also work with rotolock version.

Compressor mounting

The tandem is fixed on the frame by using grommet sleeves ①, flat washers ②, washers ③ and ④ and the grommets ⑤, provided in kit 7777041.



- Supplied with kit 7777045
- Included in kit 7777041
- Not supplied

Danfoss Commercial Compressors

is a worldwide manufacturer of compressors and condensing units for refrigeration and HVAC applications. With a wide range of high quality and innovative products we help your company to find the best possible energy efficient solution that respects the environment and reduces total life cycle costs.

We have 40 years of experience within the development of hermetic compressors which has brought us amongst the global leaders in our business, and positioned us as distinct variable speed technology specialists. Today we operate from engineering and manufacturing facilities spanning across three continents.



Our products can be found in a variety of applications such as rooftops, chillers, residential air conditioners, heatpumps, coldrooms, supermarkets, milk tank cooling and industrial cooling processes.



Danfoss A/S
Climate Solutions • danfoss.com • +45 7488 2222

Any information, including, but not limited to information on selection of product, its application or use, product design, weight, dimensions, capacity or any other technical data in product manuals, catalogues descriptions, advertisements, etc. and whether made available in writing, orally, electronically, online or via download, shall be considered informative, and is only binding if and to the extent, explicit reference is made in a quotation or order confirmation. Danfoss cannot accept any responsibility for possible errors in catalogues, brochures, videos and other material. Danfoss reserves the right to alter its products without notice. This also applies to products ordered but not delivered provided that such alterations can be made without changes to form, fit or function of the product.
All trademarks in this material are property of Danfoss A/S or Danfoss group companies. Danfoss and the Danfoss logo are trademarks of Danfoss A/S. All rights reserved.