



Data Sheet

Valve Body RA 15/6TB for Conventional Two Pipe Systems

Application



Efficient mounting is enabled by a range of compression fittings for steel, copper, PEX and AluPEX pipes.

To prevent scale and corrosion, the composition of the heating water should comply with VDI (Verein Deutscher Ingenieure) [German Engineering Association] guideline 2035.

Depending on the type of radiator, baffle plates or special connectors which match the radiator may be required in some circumstances. Please note that when a bypass valve is fitted, not all the radiators will provide the performance quoted in their catalogue, and variations in performance may arise where different radiators are combined. In this case, please ask your radiator manufacturer for detailed information.

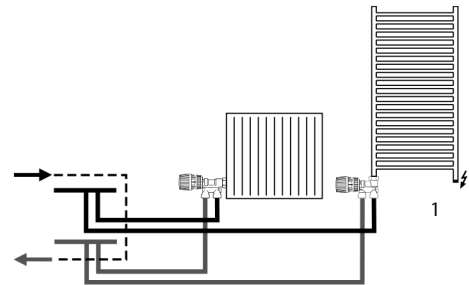
The RA 15/6TB valve body fit the RA 2000 thermostats and the TWA thermal actuators.

The RA 15/6TB is a special lance valve body which allows the radiator to be connected at one point only, at the side of the radiator or underneath it as required.

RA 15/6TB is designed for conventional two-pipe systems with pumped circulation.

The valve body has fixed k_v -values.

System



1. Electric heating element

Data and Ordering

Type	Connection ISO 7-1		k_v -value ¹⁾ m ³ /h at X_p				k_{vs}	Max. pressure			Max. temp.	Code no.
	System	Radiator	0.5	1.0	1.5	2.0		Work. ²⁾	Diff.	Test		
RA 15/6 TB, floor conn.	R _p ½	R ½	0.29	0.51	0.70	0.82	1.00	10 bar	0.6 bar	16 bar	120 °C	013G3210
RA 15/6 TB, wall conn.												013G3215

- 1) The k_v -value indicates the water flow (Q) in m³/h at a pressure drop (Δp) across the valve of 1 bar; $k_v = \frac{Q}{\sqrt{\Delta p}}$. The k_v -value is stated according to EN 215, at $X_p = 2K$ i.e. the valve is closed at 2°C higher room temperature. At lower settings the X_p value is reduced to 0.5K. The kvs -value states the flow Q at a maximum lift, i.e. at fully open valve.
- 2) Working pressure = static + differential pressure. The maximum differential pressure specified is the maximum pressure at which the valves give satisfactory regulation. As with any device which imposes a pressure drop in the system, noise may occur under certain flow/pressure conditions. To ensure quiet operation, maximum pressure drop should not exceed 30 to 35 kPa. The differential pressure can be reduced by the use of the Danfoss differential pressure regulators types ASV-P.

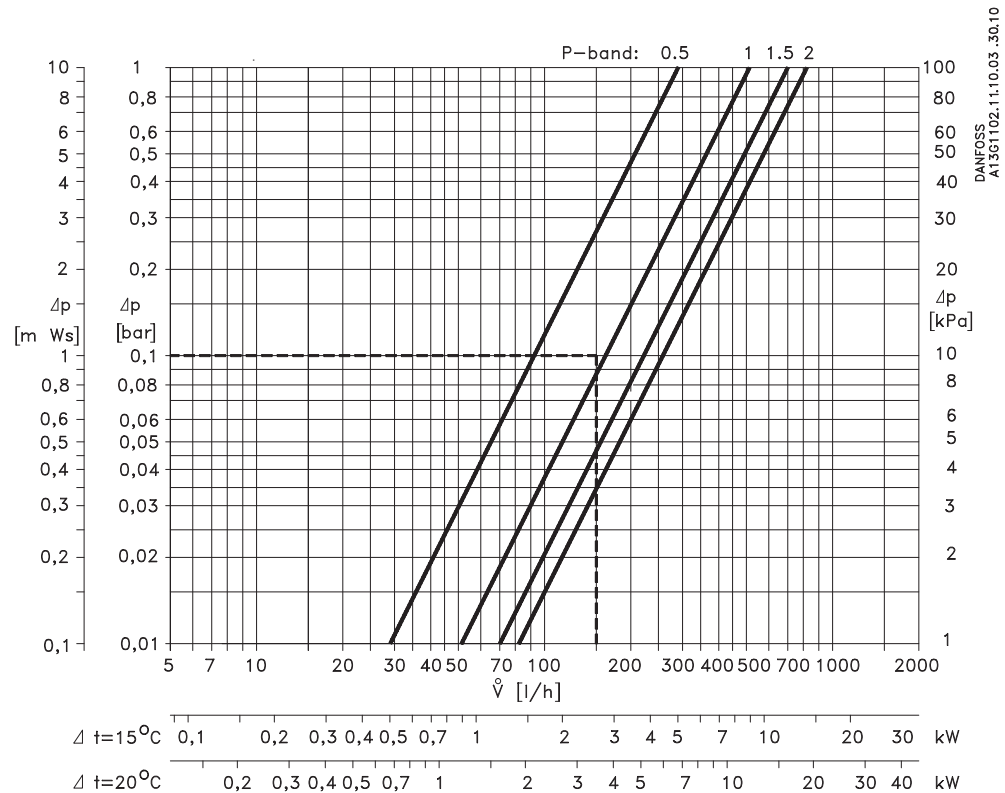
Spare Parts

Product	Units per package	Code no.
Gland seal	10 pcs.	013G0290

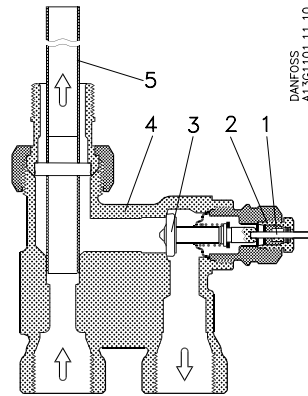
The gland seal can be replaced quickly without draining down the system.

Capacity

RA 15/6TB



Construction



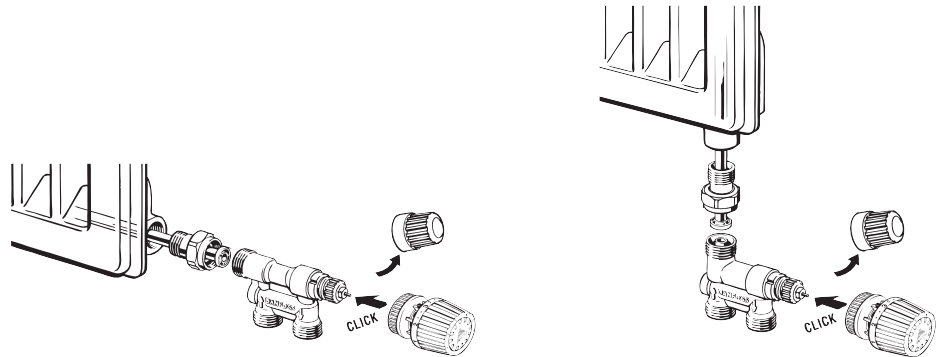
1. Pressure pin
2. O-ring gland seal
3. Valve cone
4. Valve body
5. Lance (distribution pipe)

Materials in contact with water

Pipe supporting bush	PP
O-ring	EPDM
Valve cone	NBR
Pressure pin	Chrome steel
Lock washer	Tin alloy
Valve body and other metal parts	Ms 58 brass

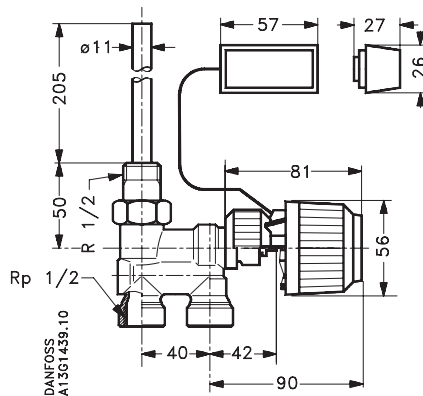
Valve bodies are nickel plated.

Mounting

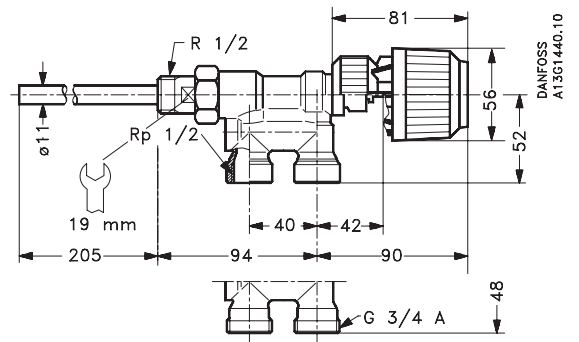


Dimensions

Floor connection, 1/2" and 3/4"



Side connection 1/2" und 3/4"



Danfoss A/S
Heating Solutions
Haarupvaenget 11
8600 Silkeborg
Denmark
Phone: +45 7488 8000
Fax: +45 7488 8100
Email: heating.solutions@danfoss.com
www.heating.danfoss.com

Danfoss can accept no responsibility for possible errors in catalogues, brochures and other printed material. Danfoss reserves the right to alter its products without notice. This also applies to products already on order provided that such alterations can be made without subsequential changes being necessary in specifications already agreed. All trademarks in this material are property of the respective companies. Danfoss and the Danfoss logotype are trademarks of Danfoss A/S. All rights reserved.
