

Installation Guide

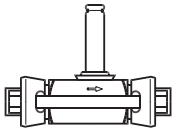
# Solenoid valves

## EVRA 3–20 and EVRAT 10–20

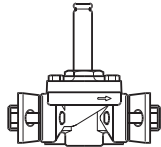
032R9519

032R9519

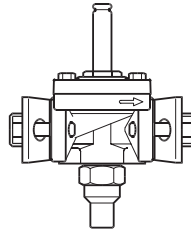
HCFC, HFC, R717 (Ammonia)



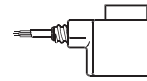
EVRA 3



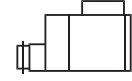
EVRA 10/EVRAT 10



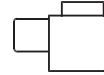
EVRA 10, 15, 20/EVRAT 10, 15, 20



a.c. ~



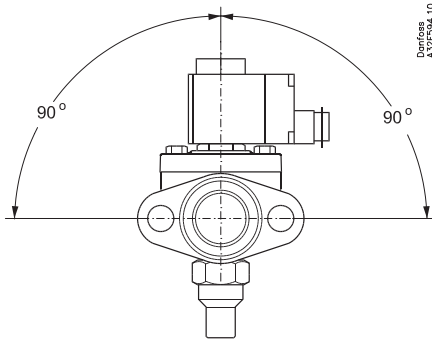
a.c. ~



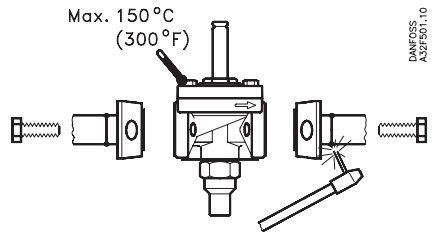
a.c. ~



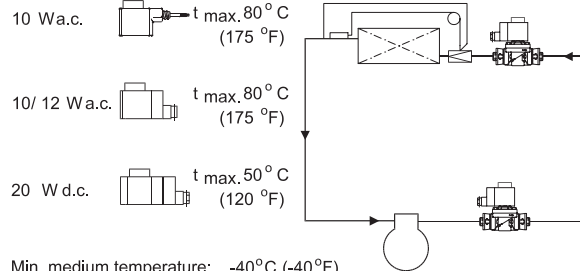
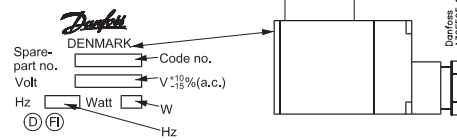
12 W a.c. ~  
20 W d.c. =



Danfoss  
AZP594.10



DANFOSS  
AZP501.10

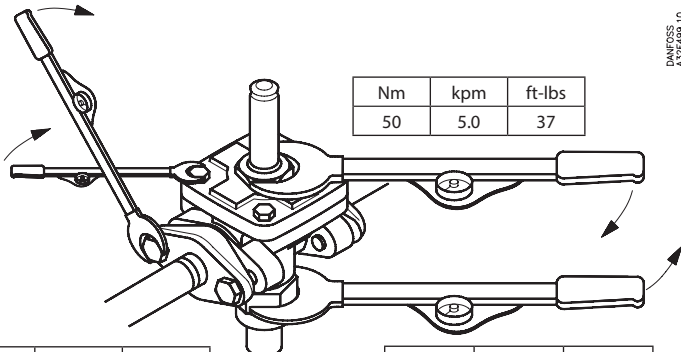


Min. medium temperature: -40°C (-40°F)  
Max. medium temperature: 105°C (221°F)  
Max. working pressure: PB=42 bar/ MWP 609 psig

Max. opening diff. pressure(MOPD):  
Max. working pressure

Danfoss  
AZP590.11

Nm	kpm	ft-lbs
60	6.0	45.0



Nm	kpm	ft-lbs
20	2.0	15

Nm	kpm	ft-lbs
30	3.0	22.5



The manual opener of EVRA/EVRAT 10, 15 and 20 is intended to be activated only during initial pressure testing of the refrigeration system.

After pressure testing or service-related manual forced opening of the manual opener the spindle **must** be turned fully back to back-seated position to avoid any packing gland leakage.

Furthermore it is essential that the sealing cap is properly reinstalled. This will eliminate any risk of leakage from the manual opener.

