

## Data sheet

# Thermostat type AT

## Application

The AT pipe thermostat is used to regulate the medium temperature in the pipe on which the thermostat is mounted. AT senses the temperature in the pipe through its contact surface and is therefore suitable to control boiler or flow temperature in central heating systems.

The AT pipe thermostat comprises a bimetallic sensor, a contact system and a setting knob. On connection to terminals CO and NC the thermostat breaks on a rise in temperature. On connection to terminals CO and NO the thermostat closes on a rise in temperature.

The AT thermostat can be mounted on the pipe without emptying the plant of water.



## Technical Data

Temperature range	30 to 90 °C
Temperature scale	external (type 041E0000)
Temperature differential	8 K
Max. temperature plant surface	Ts90
Max. ambient temperature	55 °C
Storage temperature	-20 to 90 °C
Switch system	SPDT
Enclosure	IP40
Terminal CO-NC	Breaks on temperature rise
Terminal CO-NO	Closes on temperature rise
Switch load	6 (2.5) A, 250 Vac 0.1 A, 250 Vdc
CE marking in accordance with the directives	<ul style="list-style-type: none"> <li>• EMC</li> <li>• LVD</li> <li>• RoHS</li> </ul>
Environment	Normal
Installation	Installed in any position

## Accessories

Product	Code no.
Heat-conductive compound ~ 6 g	<b>041E0115</b>
Heat-conductive compound ~ 454 g	<b>041E0116</b>

## Data sheet

## Thermostat type AT

## Installation

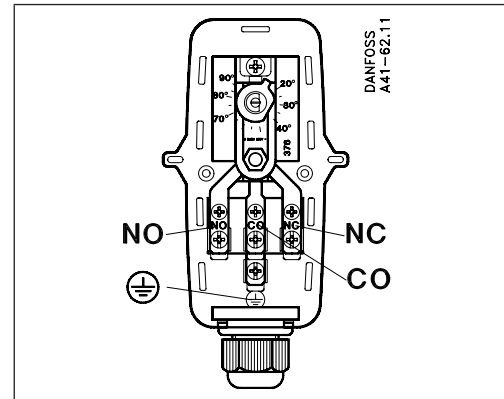
The AT thermostats are mounted directly on a pipe with the steel band provided, suitable for pipe sizes G ½ to 3.

A tube containing heat-conductive compound is supplied with the thermostat. The compound has very good heat conducting properties and should be applied between the thermostat contact surface and the pipe.

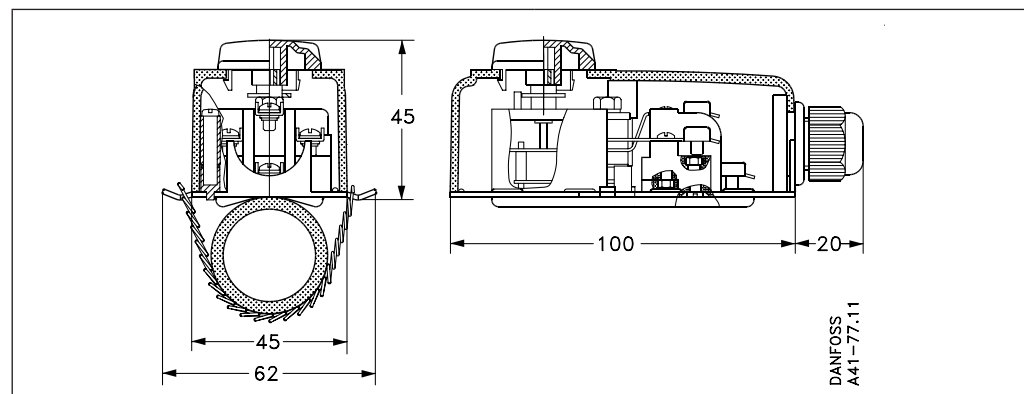
## Electrical connections

Internal ground terminal screw in the base, M3.5. Alternatively, plug connection (AMP).

Electrical connection, M3.5 screw terminals or plug (AMP).



## Dimensions



Additional documentation on burner components is available on <http://heating.danfoss.com/>

## Danfoss A/S

Climate Solutions • [climatesolutions.danfoss.com](http://climatesolutions.danfoss.com) • +45 7488 2222 • E-Mail: [climatesolutions@danfoss.com](mailto:climatesolutions@danfoss.com)

Any information, including, but not limited to information on selection of product, its application or use, product design, weight, dimensions, capacity or any other technical data in product manuals, catalogues descriptions, advertisements, etc. and whether made available in writing, orally, electronically, online or via download, shall be considered informative, and is only binding if and to the extent, explicit reference is made in a quotation or order confirmation. Danfoss cannot accept any responsibility for possible errors in catalogues, brochures, videos and other material. Danfoss reserves the right to alter its products without notice. This also applies to products ordered but not delivered provided that such alterations can be made without changes to form, fit or function of the product.

All trademarks in this material are property of Danfoss A/S or Danfoss group companies. Danfoss and the Danfoss logo are trademarks of Danfoss A/S. All rights reserved.