



Instructions

Safety thermostats, ST-1 and ST-2



087R9072



AQ00008644863200-000701

087R9072

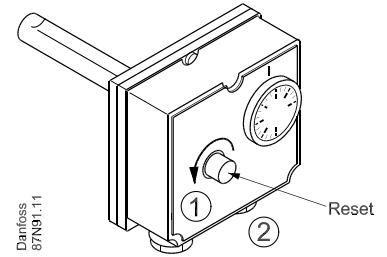
087R9072



ST-1

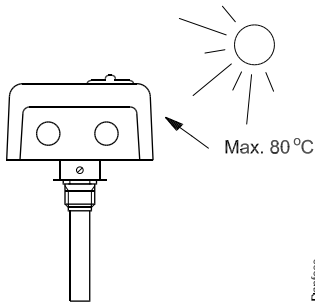
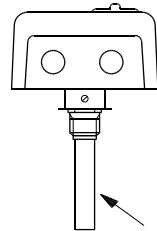


ST-2

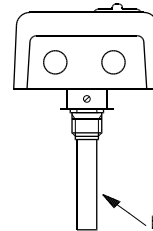
Danfoss
87N91.11

Reset

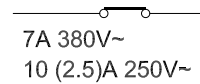
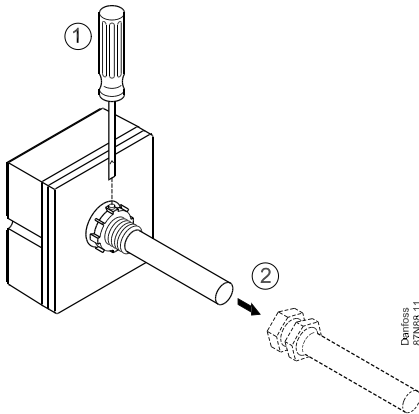
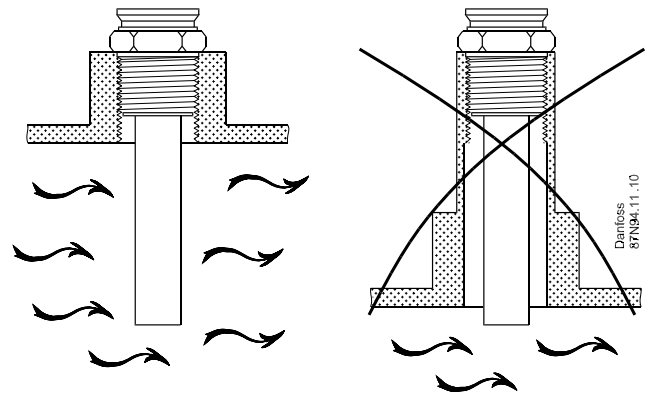
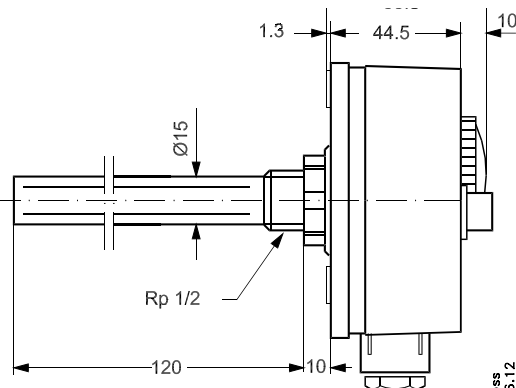
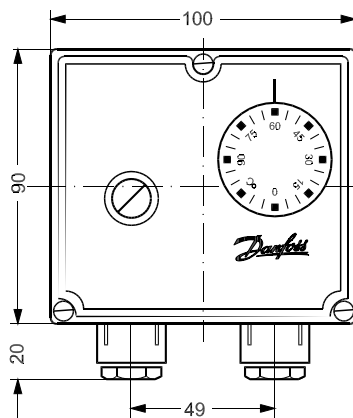
ST-2

Danfoss
87N93.11Danfoss
87N96.13

Max. 130°C

Danfoss
87N92.12

PN 10bar

7A 380V~
10 (2.5)A 250V~Danfoss
87N93.12Danfoss
87N88.11Danfoss
87N94.11 .10Danfoss
87N86.12



Instructions

Safety thermostats, ST-1 and ST-2



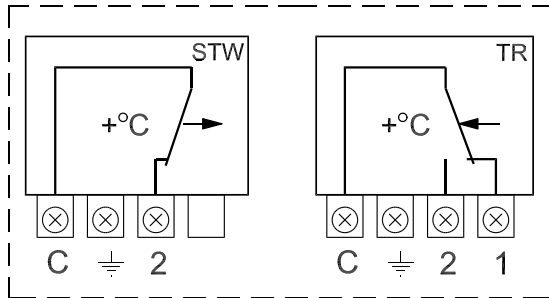
087R9072



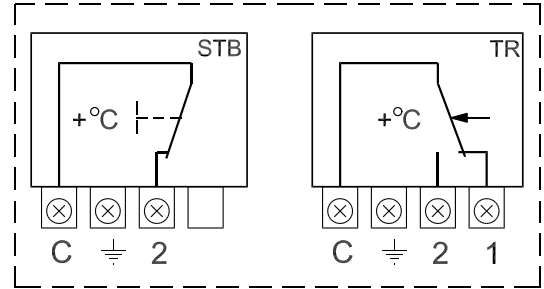
AQ00008644863200-000701

087R9072

ST-1

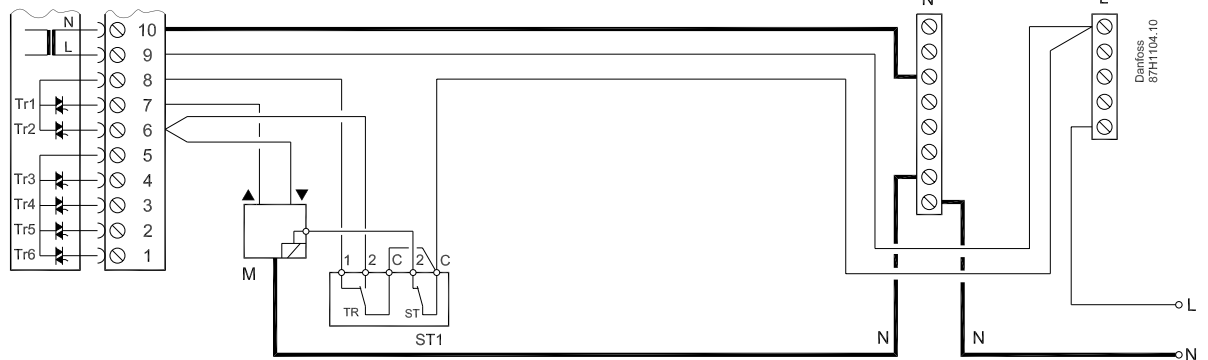
Danfoss
87N111.10

ST-2

Danfoss
87N112.10

087R9072

ECL 310



ST-1 with Danfoss ECL Comfort 210/310 and AMV(E) 13, 23 or 33 connected

? **ST-1, ST-2:** www.danfoss.com or store.danfoss.com

? <https://www.youtube.com/user/DanfossHeating>
-> **Playlists** -> **How-to Videos** -> **District Energy installation videos**

**ІМПОРТЕР:**

UA: ТОВ з іі "Данфосс ТОВ" 04080, Київ 80, п/с 168, Україна

Danfoss A/S

Climate Solutions • danfoss.com • +45 7488 2222

All information, including, but not limited to information on selection of product, its application or use, product design, weight, dimensions, capacity or any other technical data in product manuals, catalogues descriptions, advertisements, etc. and whether made available in writing, orally, electronically, online or via download, shall be considered informative, and is only binding if and to the extent, explicit reference is made in a quotation or order confirmation. Danfoss cannot accept any responsibility for possible errors in catalogues, brochures, videos and other material. Danfoss reserves the right to alter its products without notice. This also applies to products ordered but not delivered provided that such alterations can be made without changes to form, fit or function of the product.

All trademarks in this material are property of Danfoss A/S or Danfoss group companies. Danfoss and the Danfoss logo are trademarks of Danfoss A/S. All rights reserved.