

Data Sheet

X-tra Collection™ RAX-K Design Thermostat for all valves with M30 x 1.5 connection

Application



White, RAL 9016



Chrome


The RAX-K is a stylish thermostat specially developed for modern design radiators with an M30 x 1.5 connection.

The thermostat is compact, with an elegant design. It can be used with all valves with an M30 x 1.5 connection which match the design and colours (e.g. Heimeier, Oventrop, Honeywell, Schlösser and Siemens).

The RAX-K is available with a chrome or white finish (RAL 9016).

The thermostat is fastened to the valve with a union nut.

Ordering

Type	Code no.
	White, RAL 9016
	Chrome
	013G6080
	013G6180




Temperature setting

The desired room temperature is set by turning the thermostat handle.

The room temperatures corresponding to the thermostat settings are shown on the temperature scales below. These temperatures serve as a guide only, as actual room temperature will often be affected by local conditions.

The temperature scales are specified in accordance with European $X_p = 0^\circ\text{C}$ and $X_p = 2^\circ\text{C}$ standards.

$X_p = 0^\circ\text{C}$ specifies the room temperature at which the valve shuts off, while $X_p = 2^\circ\text{C}$ specifies the room temperature at a proportional band of 2°C .

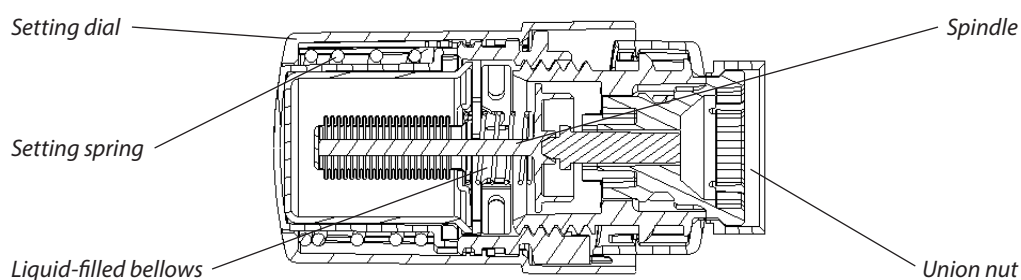
	$X_p = 0^\circ\text{C}$	* = Frost protection setting					
		10	14	18	22	26	30 °C
							
	$X_p = 2^\circ\text{C}$	8	12	16	20	24	28 °C
		<i>At position 0 the valve is completely closed (i.e. no frost protection).</i>					

Installation

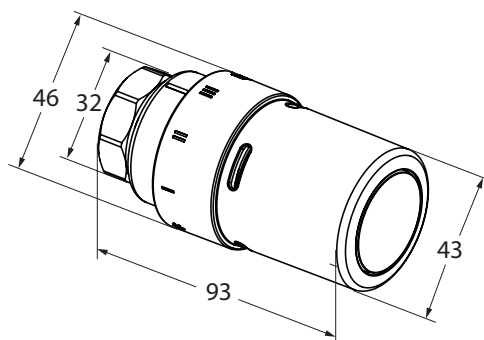


Fasten the thermostat to the radiator valve using an M32 spanner.

Design



Dimensions



Danfoss A/S

Heating Solutions
 Haarupvaenget 11
 8600 Silkeborg
 Denmark
 Phone: +45 7488 8000
 Fax: +45 7488 8100
 Email: heating.solutions@danfoss.com
 www.heating.danfoss.com

Danfoss can accept no responsibility for possible errors in catalogues, brochures and other printed material. Danfoss reserves the right to alter its products without notice. This also applies to products already on order provided that such alterations can be made without consequential changes being necessary in specifications already agreed. All trademarks in this material are property of the respective companies. Danfoss and the Danfoss logotype are trademarks of Danfoss A/S. All rights reserved.