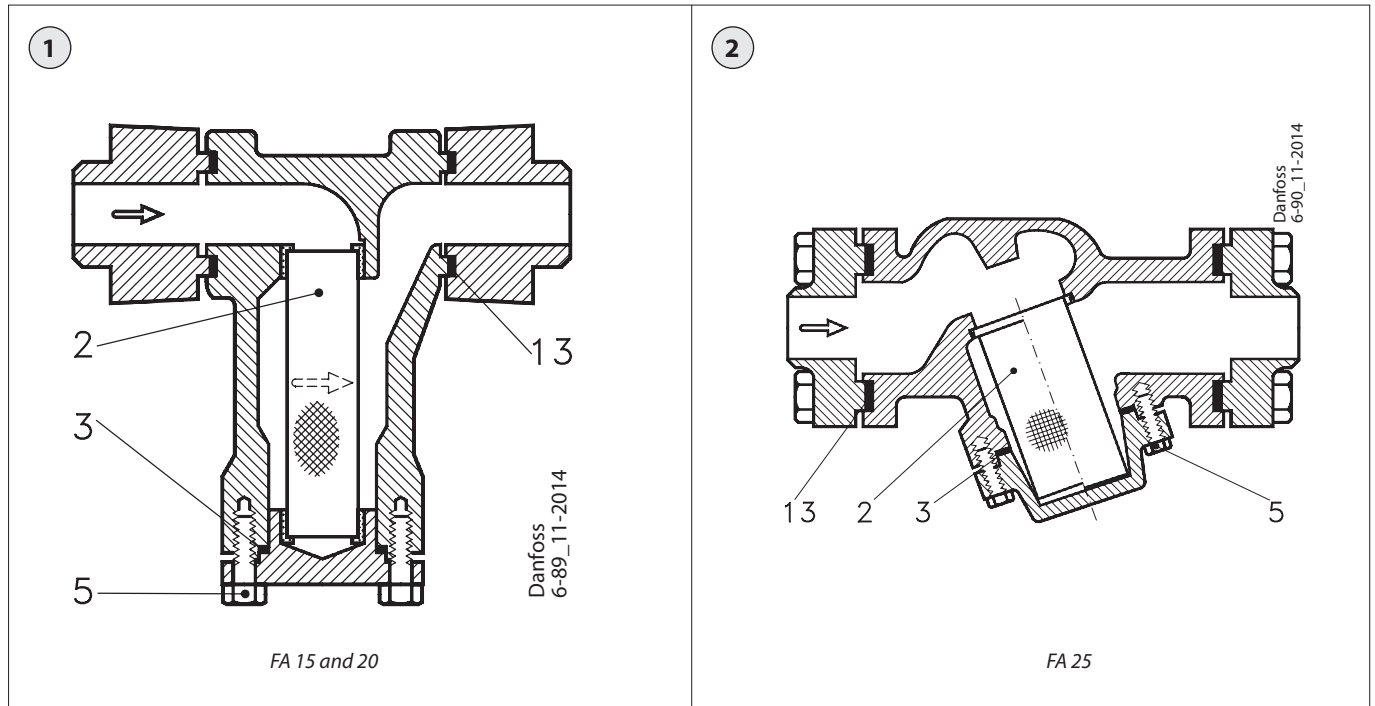




Data sheet – Spare parts and accessories

**Strainer, non welded  
Type FA**



Description	Pos. #	Qty.	Code no.
<b>Repair kit, figs. 1 and 2, FA 15</b>			
Strainer	2	1	006-0331
Cover gasket	3	1	
Screw	5	4*	
<b>Repair kit, figs. 1 and 2, FA 20</b>			
Strainer	2	1	006-0332
Cover gasket	3	1	
Screw	5	4*	
<b>Repair kit, figs. 1 and 2, FA 25</b>			
Strainer	2	1	006-0333
Cover gasket	3	1	
Screw	5	4*	

Description	Pos. #	Qty.	Code no.
<b>Seal kit, figs. 1 and 2, FA 15</b>			
Cover gasket	3	1	006-0334
Flange gasket	13	2	
<b>Seal kit, figs. 1 and 2, FA 20</b>			
Cover gasket	3	1	006-0335**
Flange gasket	13	2	
<b>Seal kit, figs. 1 and 2, FA 25</b>			
Cover gasket	3	1	006-0336
Flange gasket	13	2	
<b>Seal kit, figs. 1</b>			
Cover gasket	3	1	006-0346***
Flange gasket	13	2	

\*) For FA 25: 6 pcs.

\*\*) For FA 20 strainers, for fitting in pipelines.

\*\*\*) For FA 20 strainers, for direct fitting on valve.