

Data Sheet

# Solenoid coil Type **BV**

Coils are designed to be used with Danfoss solenoid valves



BV is a solenoid coil with ATEX EX zone 2 approval. The coils are designed to be used with Danfoss solenoid valves.

**Features:**

- Embedded coils with long lifetime even under extreme conditions
- Available with 1 m 3-core cable
- Safe mounting with screw-on system
- Standard coils from 24 V to 240 V AC
- Standard coils dimensioned to max. opening differential pressure (MOPD) up to 21 bar for AC

**Product specification**

**Technical data**

Figure 1: Type BV

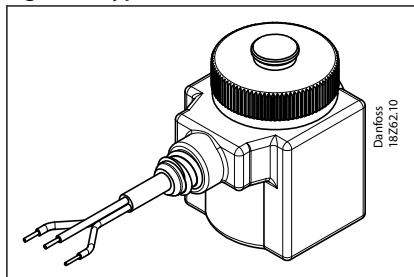


Table 1: Technical data for type BV

Specification	Values
Mode of operation	
Protection against electrical shock	
Humidity	0 - 100% RH
Enclosure	IP65
Pollution degree	3
Max. altitude above sea level	4000 m
Permissible voltage variation	11 W AC, 50 Hz: 10 to -15% 11 W AC, 60 Hz: ±10%
Rated impulse voltage	? kV
Over voltage category	-
Nominal current [A]	Power consumption holding
	Inrush current
	[W] [VA] [mA] [ms]
	11 21 44 -
Duty rating	100%
Ambient temperature	-20 °C to +50 °C
Media temperature	Max. 100 °C
Insulation of coil windings	
Connection	3-core cable The external thread of the cable entry is suitable for flexible steel hose or similar cable protection
Outside diameter sheet	
Size of fuse in front of the coil	
External earth core	

Table 2: Classification EN 60079

Type	Classification
Media	
Explosion proof area	Zone 2
Product group	II
Product category	3G
Product niveau EPL	Gc
Explosion group	IIC
Temperature class	T4
Type of protection	nA
Exposed to SUN/UV light	No
Impact height	

**⚠ WARNING:**

**Always install a fuse ahead of the coil. It should not exceed 2 A for coils rated less than 50 V and it should not exceed 1 A for coils rated 50 V or more. Time log: Medium.**

Use only for system in compliance with ATEX. Ignition risk is evaluated in accordance to ATEX.

## Solenoid coil, type BV

---

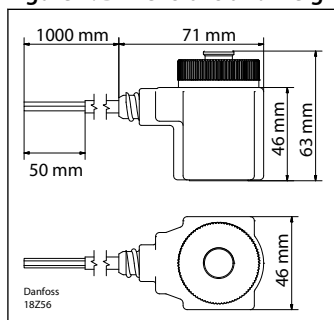
Coil type BV can be applied on systems with R290, R600, R600a and R1270 as the working fluid.

For countries where safety standards are not an indispensable part of the safety system Danfoss recommend the installer to get a third party approval of the system containing flammable refrigerant.

Note, please follow specific selection criteria stated in the datasheet for these particular refrigerants.

### **Dimensions and weights**

Figure 2: Dimensions and weight for type BV



## Ordering

Table 3: Ordering for type BV

Valve type	Coil type	MOPD	Supply voltage [V]	Frequency [Hz]	Code no.
EVR 2 - EVR 40 (NC) EVR 6 - EVR 22 (NO) EVRC EVRA / EVRAT EVRS / EVRST EVM (NC / NO)	BV024A		24	50	018Z6120
	BV110A		110	50	018Z6121
	BV230A		230	50	018Z6122
	BV240A		240	50	018Z6123
	BV024B		24	60	018Z6125
	BV230B		230	60	018Z6127

## Certificates, declarations, and approvals

The list contains all certificates, declarations, and approvals for this product type. Individual code number may have some or all of these approvals, and certain local approvals may not appear on the list.

Some approvals may change over time. You can check the most current status at [danfoss.com](http://danfoss.com) or contact your local Danfoss representative if you have any questions.

### **Valid Certificates, declarations, and approvals**

Table 4: Certificates, declarations, and approvals

Document name	Document type	Document topic	Approval authority
033F0687	Manufactures declaration	RoHS	Danfoss
033F0688	Manufactures declaration	LVD, EMC	Danfoss
032R9261	Manufactures declaration	ATEX	Danfoss

## Online support

Danfoss offers a wide range of support along with our products, including digital product information, software, mobile apps, and expert guidance. See the possibilities below.

### The Danfoss Product Store



The Danfoss Product Store is your one-stop shop for everything product related—no matter where you are in the world or what area of the cooling industry you work in. Get quick access to essential information like product specs, code numbers, technical documentation, certifications, accessories, and more.

Start browsing at [store.danfoss.com](https://store.danfoss.com).

### Find technical documentation



Find the technical documentation you need to get your project up and running. Get direct access to our official collection of data sheets, certificates and declarations, manuals and guides, 3D models and drawings, case stories, brochures, and much more.

Start searching now at [www.danfoss.com/en/service-and-support/documentation](https://www.danfoss.com/en/service-and-support/documentation).

### Danfoss Learning



Danfoss Learning is a free online learning platform. It features courses and materials specifically designed to help engineers, installers, service technicians, and wholesalers better understand the products, applications, industry topics, and trends that will help you do your job better.

Create your Danfoss Learning account for free at [www.danfoss.com/en/service-and-support/learning](https://www.danfoss.com/en/service-and-support/learning).

### Get local information and support



Local Danfoss websites are the main sources for help and information about our company and products. Find product availability, get the latest regional news, or connect with a nearby expert—all in your own language.

Find your local Danfoss website here: [www.danfoss.com/en/choose-region](https://www.danfoss.com/en/choose-region).