



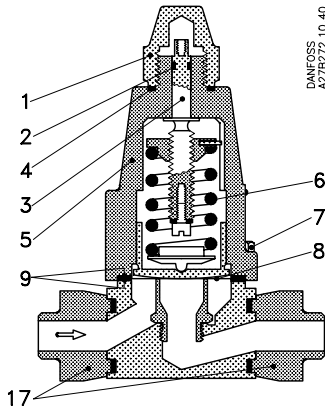
## Installation Guide

# Pilot valve CVMD

027R9962

027R9962

Code number: **027B1038**



1. Protection cap
2. O-ring
3. Spindle
4. Gasket
5. Cover
6. Spring
7. Screw
8. Diaphragm
9. Gasket
17. Flanges

Fig. 1

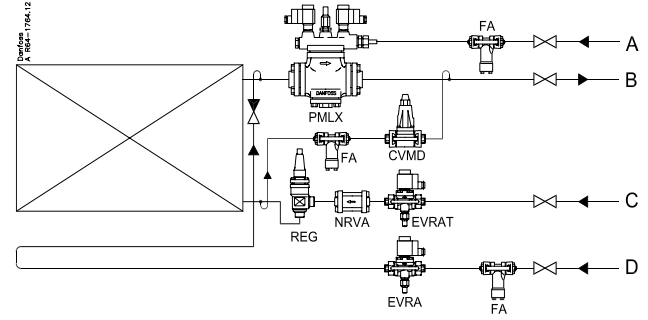


Fig. 2

### CVMD

360°  $\ominus$   $\oplus$   $\sim$  0.45 bar  $\sim$  6.5 psi

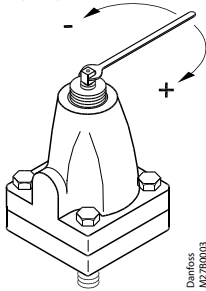
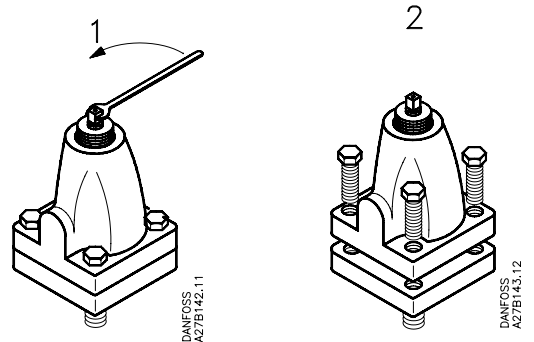


Fig. 3

Range bar	1 turn 360° $\Delta$
-0.66 $\rightarrow$ 7 bar	0.45 bar
4 $\rightarrow$ 22 bar	1.4 bar
4 $\rightarrow$ 28 bar	2 bar
Range psi	1 turn 360° $\Delta$
19.5 in.Hg $\rightarrow$ 29 psi	6.5 psi
58 psi $\rightarrow$ 319 psi	20 psi
58 psi $\rightarrow$ 406 psi	29 psi



## ENGLISH

### Technical data

#### Refrigerants

R 717, R 22, R 134a, R 404A, R 407C etc.

#### Range

0-7 bar (0-101 psig)

#### Max. working pressure

PB = 28 bar (406 psig)

#### Temperature range

-50°C to 120°C (-58°F to 248°F)

### See fig. 2

The figure shows the low pressure side of an R 717 refrigeration plant with flooded evaporator with pump circulation.

In this application, the constant pressure valve, type CVMD, is mounted as a pressure regulator in the bypass line between evaporator and downstream wet suction line after the solenoid valve, type PMLX.

Pos. A on the drawing is the pilot line from the high pressure side to PMLX. Pos. B is the liquid/gas return line. Pos. C is the liquid line to the evaporator. Pos. D is the hot gas line for hot gas defrosting of the evaporator.

### Adjustment

See fig. 3