

Data sheet

Constant pressure valve

Type CVMD



CVMD is a constant pressure regulator for refrigeration and freezing plant in applications such as;

- Hot gas defrosting (drain lines)
- Refrigerant pump bypass (to ensure min. flow in refrigerant pumps).

Technical data

- *Refrigerants*
HCFC, HFC, R717 (Ammonia)
- *Range*
0-7 Bar (0-102 psi)
- *Max. working pressure*
PB = 28 bar (406 psi)
- *Temperature range*
-50°C /+120°C (-58°F/248°F)

- *k_v value*
1.5
- *C_v value*
1.7
- *Classification: DNV, CRN, BV, EAC etc.*
To get an updated list of certification on the products please contact your local Danfoss Sales Company.

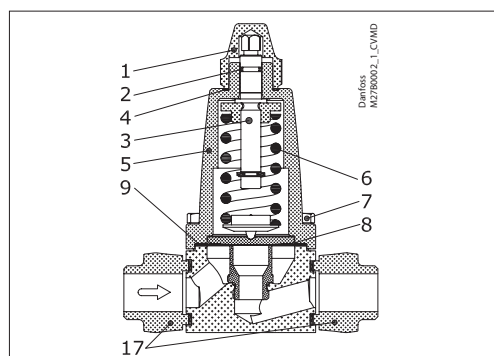
Ordering

CVMD incl. 1/2 in. weld flange,
code no. **027B1038**.

Materials

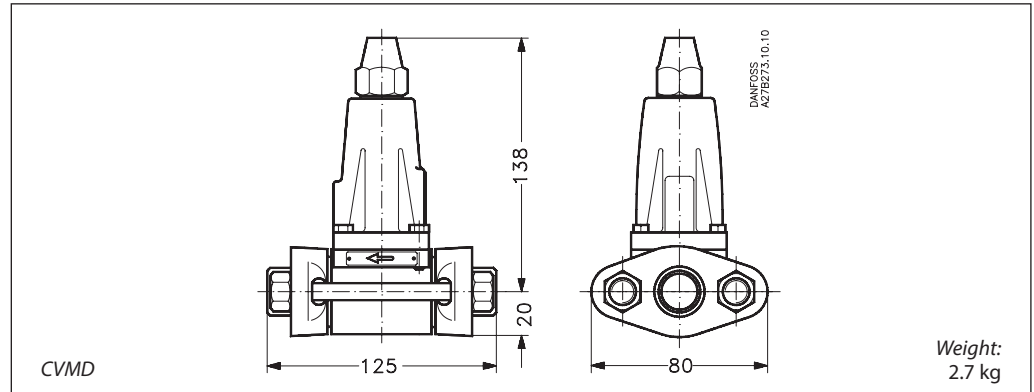
- Gaskets are non asbestos
- Valve housing made of EN-GJS-400-18

Construction



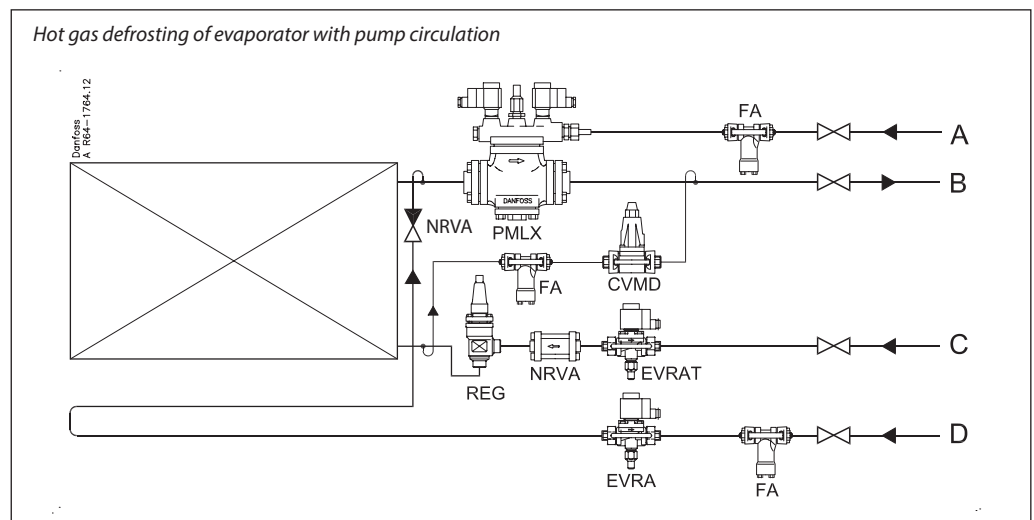
1. Protection cap
2. O-ring
3. Spindle
4. Gasket
5. Cover
6. Spring
7. Screw
8. Diaphragm
9. Gasket
17. Flanges

Dimensions and weight



Application

Example



The figure shows the low pressure side of an R 717 refrigeration plant with flooded evaporator with pump circulation.

In this application, the constant pressure valve, type CVMD, is mounted as a pressure regulator in the bypass line between evaporator and downstream wet suction line after the solenoid valve, type PMLX.

- Pos. A on the drawing is the pilot line from the high pressure side to PMLX.
- Pos. B is the liquid/gas return line.
- Pos. C is the liquid line to the evaporator.
- Pos. D is the hot gas line for hot gas defrosting of the evaporator.

The CVMD can be used in this application for evaporators with capacities up to:

R 717

Defrost temperature	+10°C				
Evaporating temperature	-10°C	-20°C	-30°C	-40°C	-50°C
(Drainline capacity kg/h)	(1666)	(1906)	(2059)	(2156)	(2216)
Max. Q _{Evaporator} (kW)	240	281	311	333	349

Based on:

$\Delta P_{over} = 1, k_v = 1.5 \text{ m}^3/\text{h}$

$\text{Defrost capacity (kW)} = 2.5 \times Q_{\text{Evaporator}}$

Use PM + CVP (HP) valves for higher capacities.