

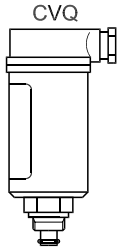


## Installation Guide

# Pilot valve CVQ

027R9626

**1**



CVQ

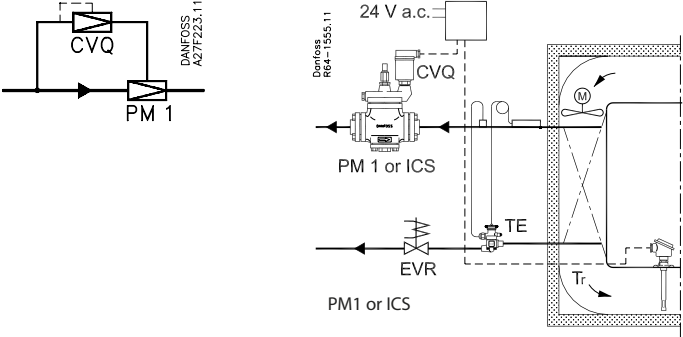
Max. 50°C (120°F)  
Min. -30°C (-22°F)

IP55

PS/MWP 17bar/  
MWP 250psig

Danfoss  
27B192.13

**2**



CVQ

PM 1

24 V a.c.

PM 1 or ICS

TE

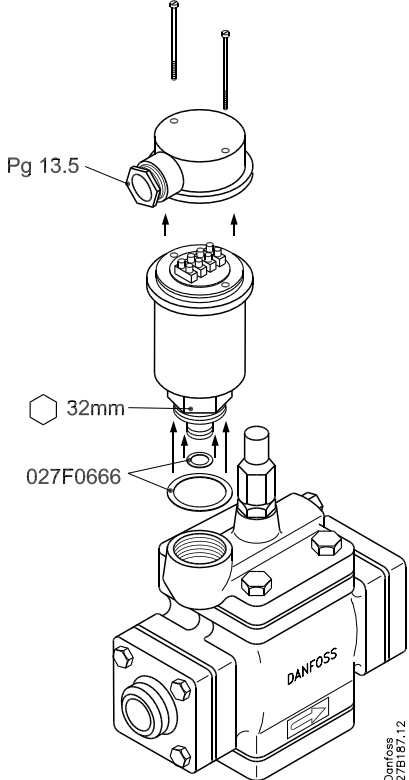
EVR

PM 1 or ICS

DANFOSS  
AZ7F223.11

027R9626

**3**



Pg 13.5

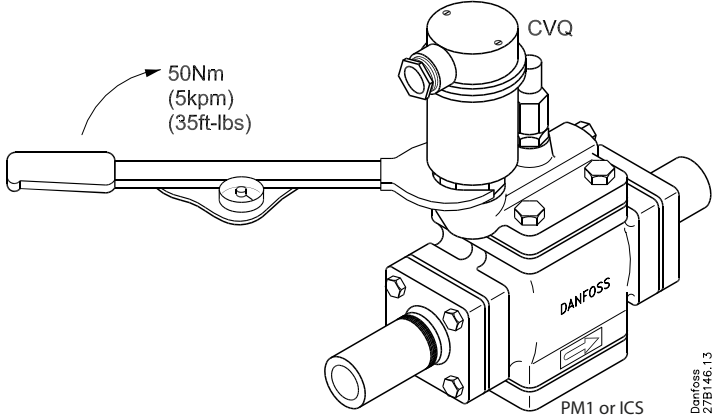
32mm

027F0666

DANFOSS

Danfoss  
27B167.12

**4**



50Nm  
(5kpm)  
(35ft-lbs)

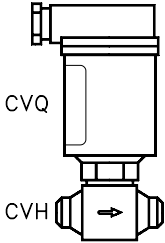
CVQ

PM1 or ICS

DANFOSS

Danfoss  
27B146.13

**5**

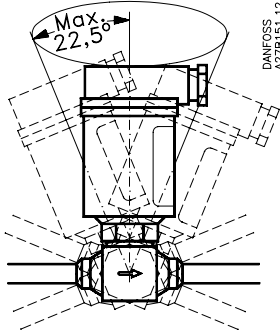


CVQ

CVH

DANFOSS  
AZ7B115.12

**6**



Max. 22,5°

DANFOSS  
AZ7B151.12



The following text is applicable to the UL listed products CVQ

Applicable to all common non-flammable refrigerants, including/excluding (+) R717 and to non-corrosive gases/liquids dependent on sealing material compatibility (++) . The design pressure shall not be less than the value outlined in Sec. 9.2 of ANSI/ASHRAE 15 for the refrigerant used in the system. (+++).