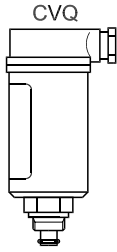


Installation Guide

Pilot valve CVQ

027R9626



CVQ

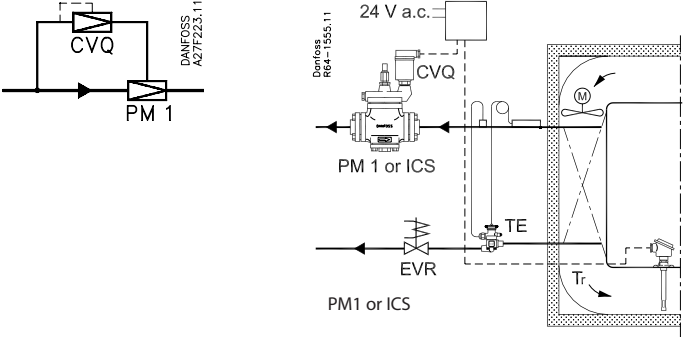
Max. 50°C (120°F)
Min. -30°C (-22°F)

IP55

PS/MWP 17bar/
MWP 250psig

Danfoss
27B192.13

1



24 V a.c.

Danfoss R64-1555.11

CVQ

PM 1

PM 1 or ICS

EVR

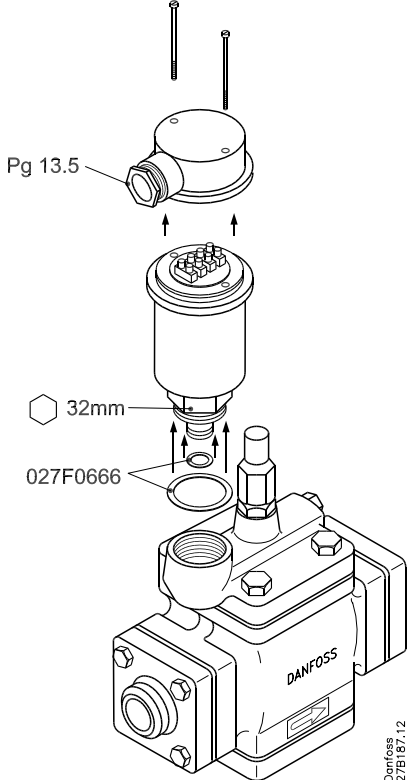
PM 1 or ICS

TE

Tr

2

027R9626



Pg 13.5

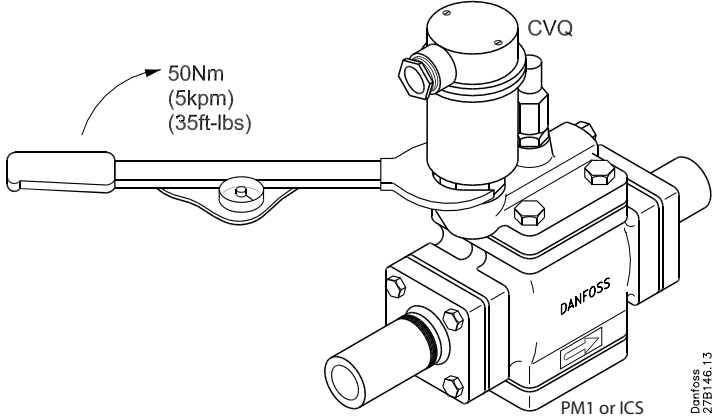
32mm

O27F0666

DANFOSS

Danfoss
27B167.12

3



50Nm
(5kpm)
(35ft-lbs)

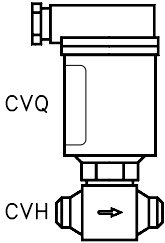
CVQ

DANFOSS

PM1 or ICS

Danfoss
27B146.13

4

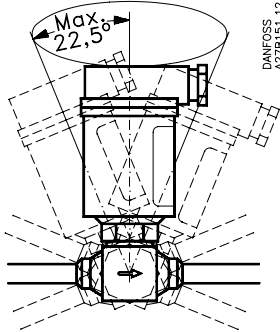


CVQ

CVH

DANFOSS
A27B115.12

5



Max. 22,5°

DANFOSS
A27B151.12

6



The following text is applicable to the UL listed products CVQ

Applicable to all common non-flammable refrigerants, including/excluding (+) R717 and to non-corrosive gases/liquids dependent on sealing material compatibility (++) . The design pressure shall not be less than the value outlined in Sec. 9.2 of ANSI/ASHRAE 15 for the refrigerant used in the system. (+++).