



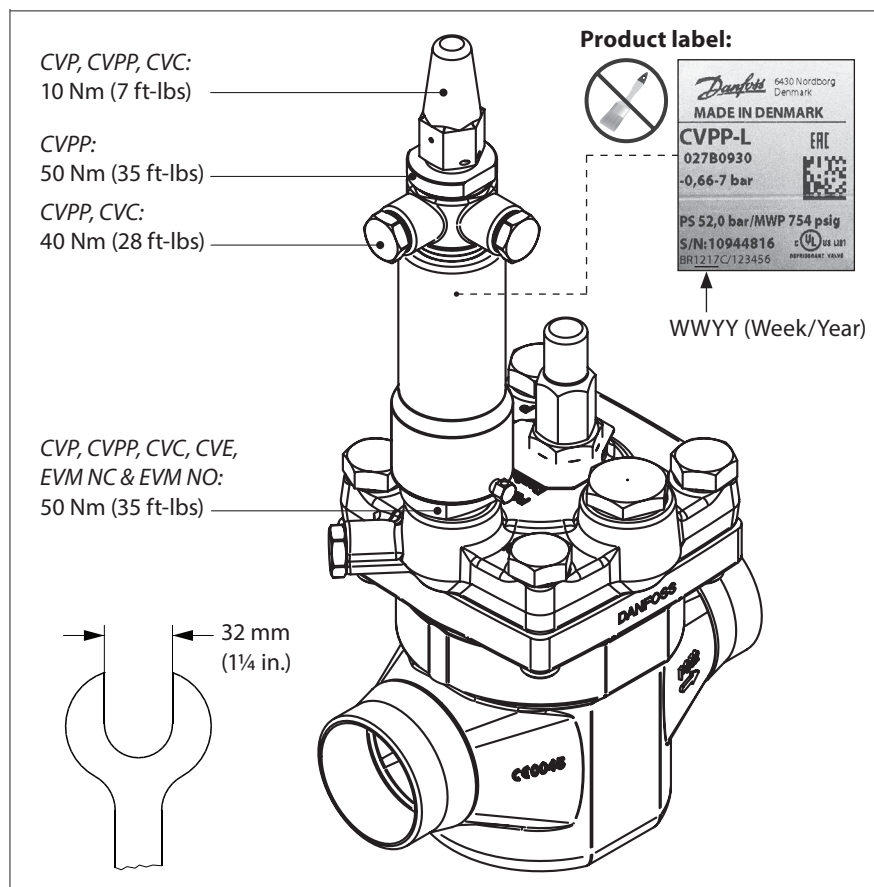
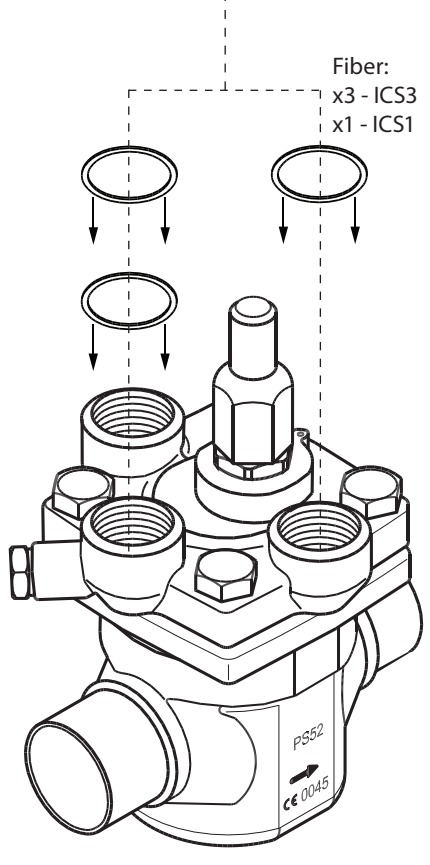
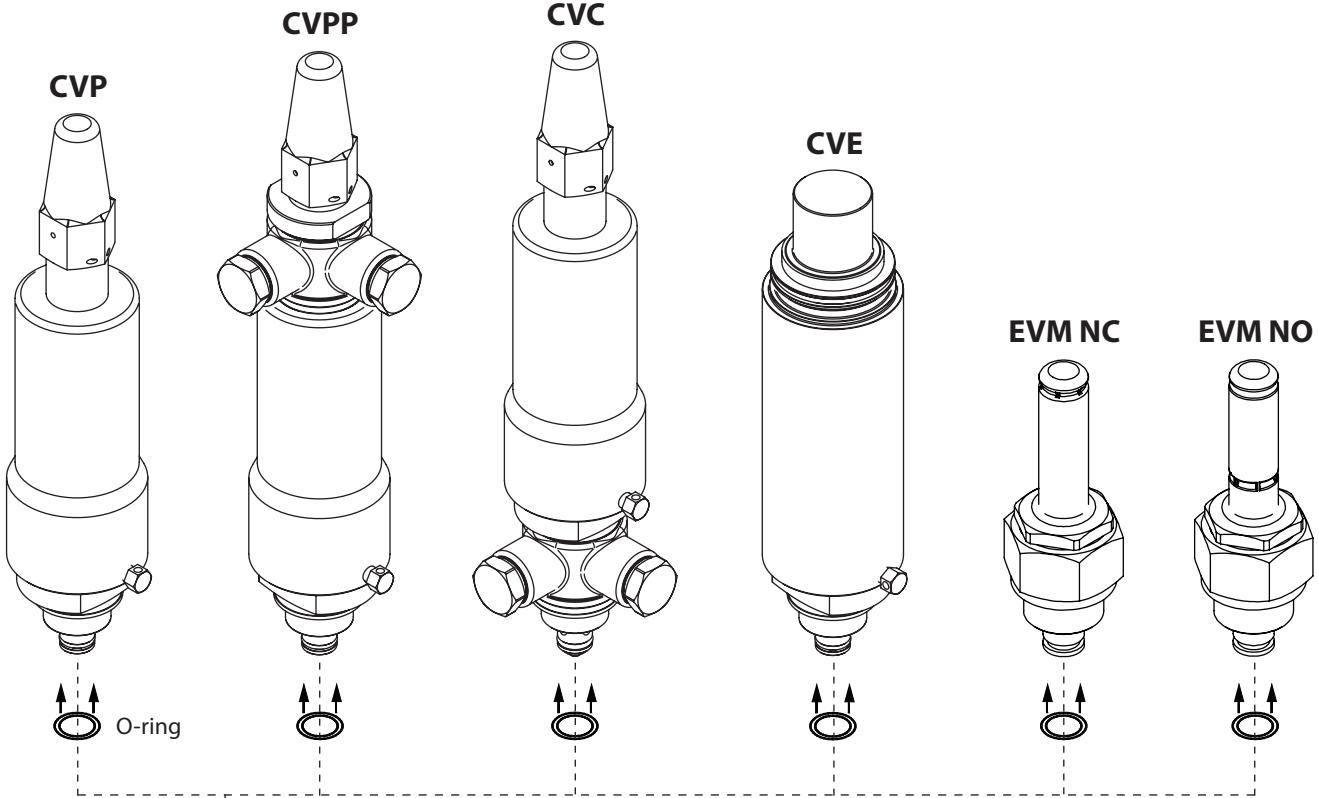
Installation guide

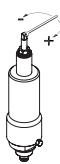
Pilot valves

CVP, CVPP, CVC, CVE and EVM

027R9594

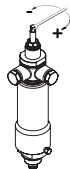
027R9594





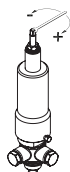
CVP

Range	Range	Factory setting	1 Rev (360°) ~
-0.66 → 7 bar	19.5 in Hg → 102 psig	~ 0.8 bar/11.6 psig	1 bar/ 14.5 psig
4 → 28 bar	58 → 406 psig	~ 12 bar/174 psig	3.1 bar/ 45 psig
25 → 52 bar	363 → 754 psig	~ 26.6 bar/386 psig	4.1 bar/ 59.5 psig



CVPP

Range	Range	Factory setting	1 Rev (360°) ~
-0.66 → 7 bar	19.5 in Hg → 102 psig	~ 0.7 bar/10.2 psig	1 bar/ 14.5 psig
4 → 28 bar	58 → 406 psig	~ 7.6 bar/110 psig	3.1 bar/ 45 psig

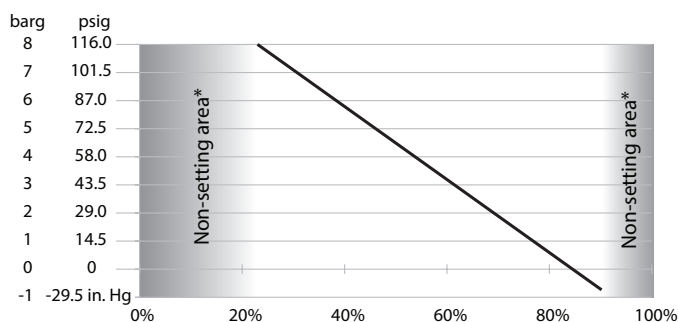


CVC

Range	Range	Factory setting	1 Rev (360°) ~
-0.66 → 7 bar	19.5 in Hg → 102 psig	~ 0.8 bar/11.6 psig	1 bar/ 14.5 psig
4 → 28 bar	58 → 406 psig	~ 12 bar/174 psig	3.1 bar/ 45 psig

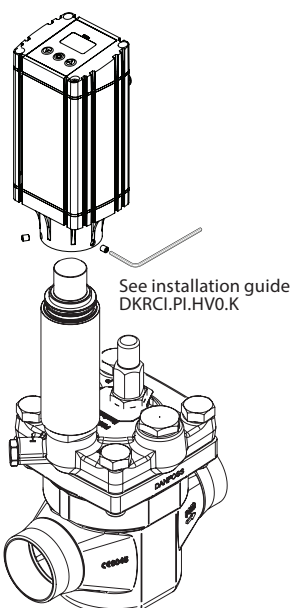
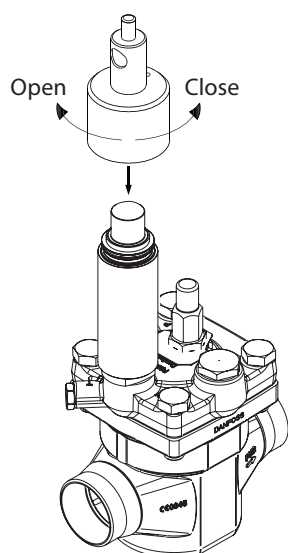
CVE Pressure setting (see DKRCI.PI.HVO.J for ICAD setup)

bar	-0.66	0	1	2	3	4	5	6	7	8
psig	19.5 in. Hg	0	14.5	29.0	43.5	58.0	72.5	87.0	101.5	116.0
mA	18.3	17.1	15.9	14.7	13.5	12.3	11.1	9.9	8.7	7.5
ICAD reading %	90%	83%	75%	67%	60%	53%	45%	37%	30%	23%

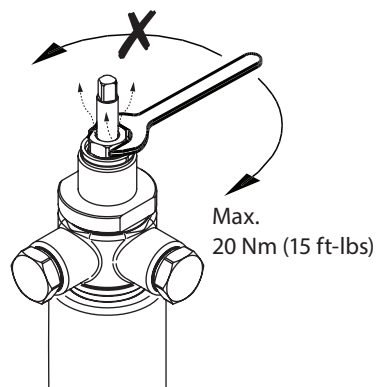


* These areas are dedicated regulation band for the pilot. It is recommended not to exceed the limits in above table

CVE



Packing gland leak tightening (CVP, CVPP & CVC)



Valve sealing

