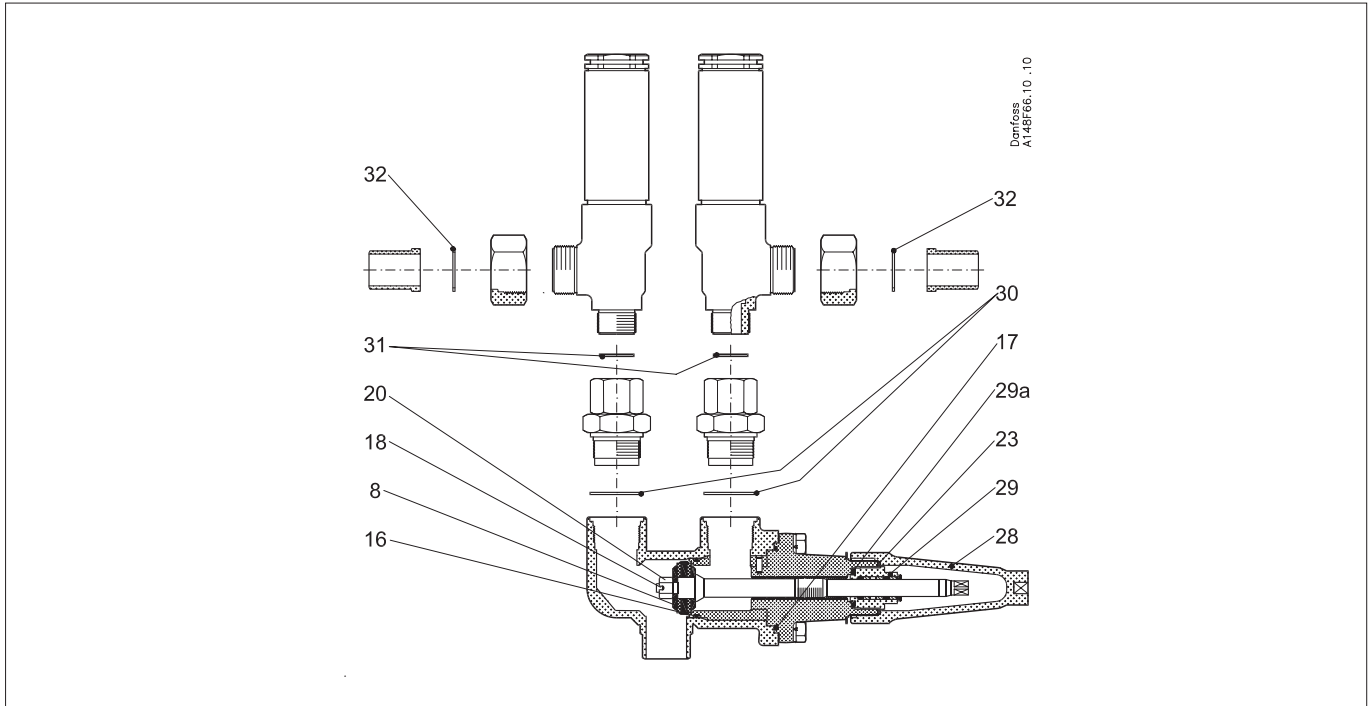




Data sheet – Spare parts and accessories

**Change-over valve
Type DSV 1, size 25 (1 in.)**



Description	Pos. #	Qty.	Code no.
Spare part kit, for bonnet and cap (installation kit)			
O-ring for seat	16	1	148F3022
O-ring for housing/bonnet	17	1	
Gasket for cap	23	1	

Dismounting kit			
Gasket for reducer SFV 15/DSV 1	30	1	148F3029
Gasket for reducer SFV 15/DSV 1	31	1	
Gasket for nipple SFV 15/DSV 1	32	1	

Repair kit, complete set of gaskets			
Gasket for cone	8	1	148F3024
O-ring for seat	16	1	
O-ring for housing/bonnet	17	1	
Lock pin	18	1	
Slotted nut	20	1	
Gasket for cap	23	1	
Gaskets complete for packing gland	29a	1	
Gasket for reducer SFV 15/DSV 1	30	1	
Gasket for reducer SFV 15/DSV 1	31	1	
Gasket for nipple SFV 15/DSV 1	32	1	

Description	Pos. #	Qty.	Code no.
Packing gland incl. gaskets (with O-rings)			
Packing gland incl. gaskets	29	1	148B4032
Cap incl. gasket			
Cap incl. gasket	28	1	148B4076
Grease			
Grease for packing gland (tube)	-	1	148H3445