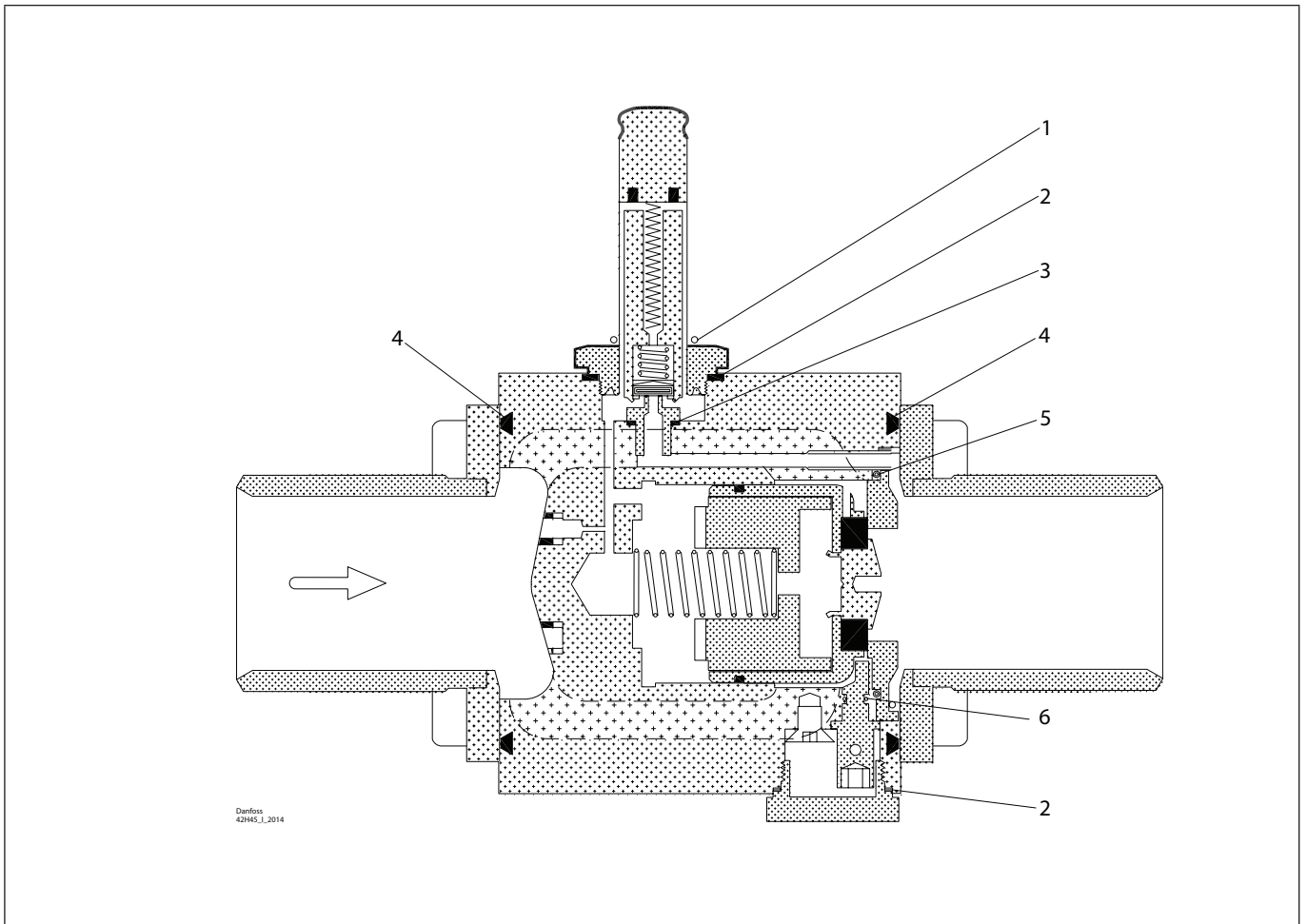


Installation guide – Spare parts and accessories

Inspection kit | Code number 032F2327

AKVA, size 20 and EVRA, size 32/40



<p><b>1</b></p> <p>Total no. = 1</p>	<p><b>2</b></p> <p> = Alu.</p> <p>Total no. = 2</p>	<p><b>3</b></p> <p> = Alu.</p> <p>Total no. = 1</p>	<p><b>4</b></p> <p>Total no. = 2</p>	<p><b>5</b></p> <p>Total no. = 1</p>
<p><b>6</b></p> <p>Total no. = 1</p>				