

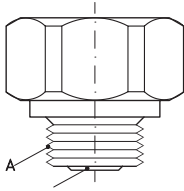
Installation guide

Isolation valve

Type MBV 2000

061R9310

061R9310



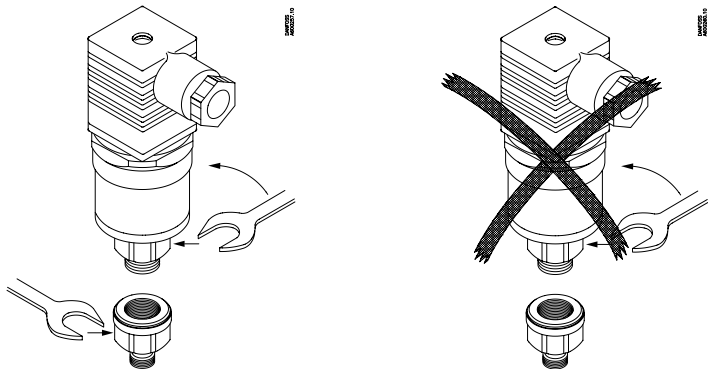
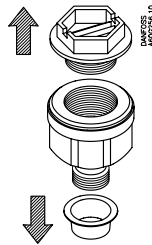
Danfoss
606255.11

Max. tightening torque: 100 Nm*

*In code numbers 061B6001, 061B6024,

061B6029, 061B6030 the max. tightening torque is 60 Nm.

A	Torque		Code no.
	Typical	Max.	
G $\frac{1}{4}$ " A DIN 3852-E	50 Nm	60 Nm	061B6001
G $\frac{1}{2}$ " A DIN 3852-E	80 Nm	100 Nm	061B6002
G $\frac{1}{2}$ " A DIN 3852-E	80 Nm	100 Nm	061B6003
G $\frac{1}{4}$ "-18 NPT DIN 3866-A	80 Nm	100 Nm	061B6004



WARNING

For safety, it is essential that the isolation valve is thoroughly secured to the system prior to connecting/disconnecting a transmitter.

It should be adequately fixed to prevent the valve from loosening when a transmitter is being removed.